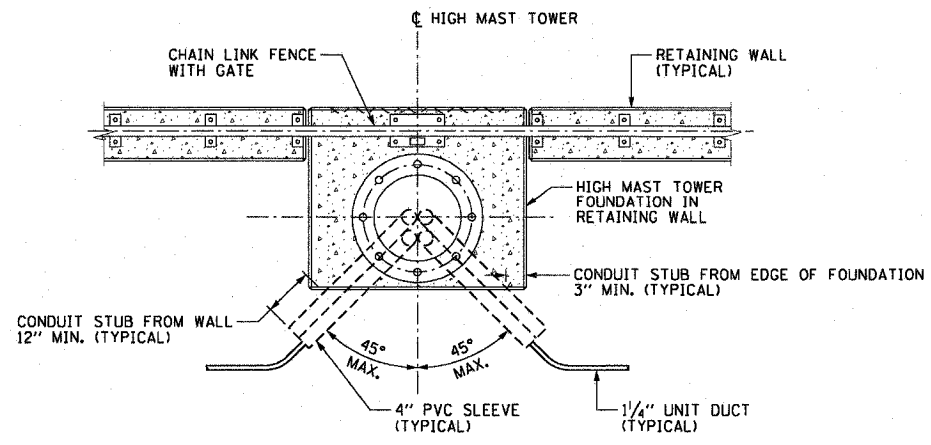


F.A.I. RTE.	SECTION	COUNTY	TOTAL SHEETS	SHEET NO.
90/94	2003-0311	COOK	976	45
STA.	TO STA.			
FED. ROAD DIST. NO. 1 ILLINOIS FED. AID PROJECT				

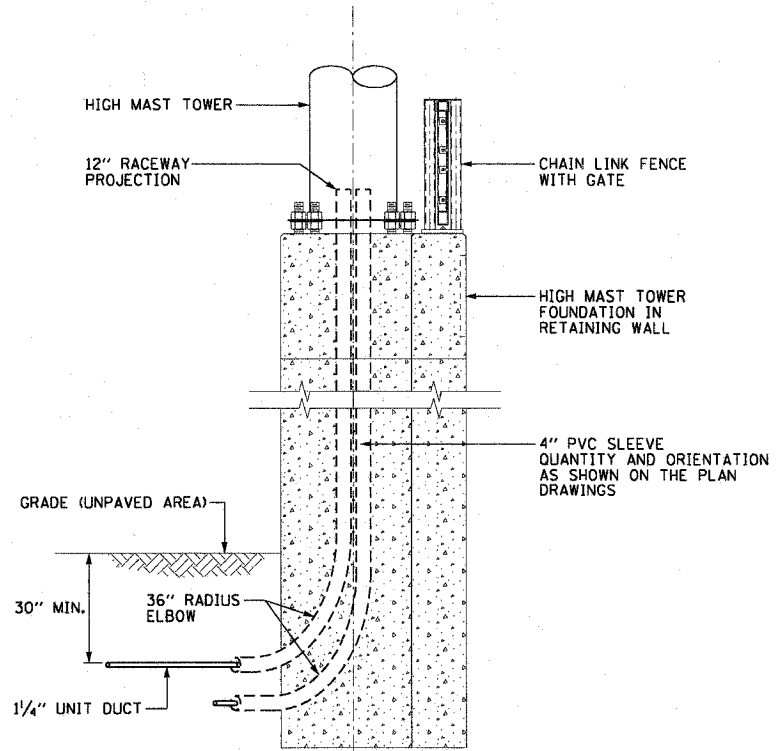
62583

NOTES:

1. SEE DRAWINGS ME-01 AND ME-02 FOR ELECTRICAL SYMBOLS AND ABBREVIATIONS.
2. SEE HIGH MAST TOWER FOUNDATION SCHEDULES FOR HIGH MAST LIGHT TOWER FOUNDATION LOCATIONS.



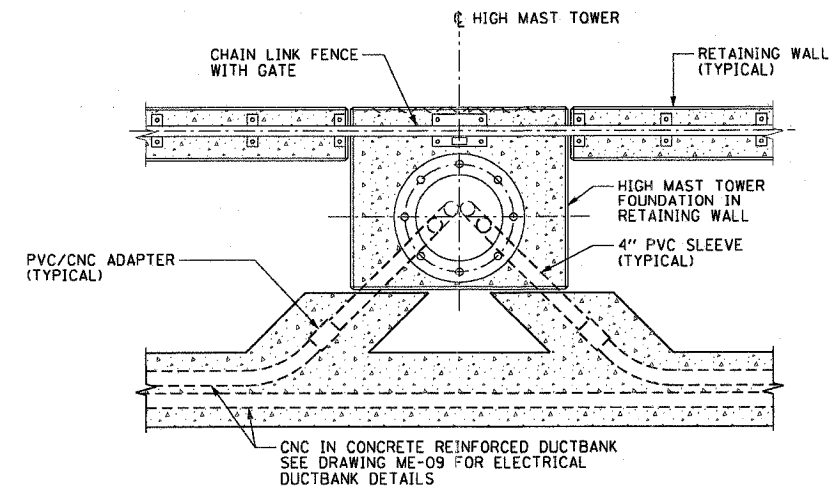
TOP VIEW



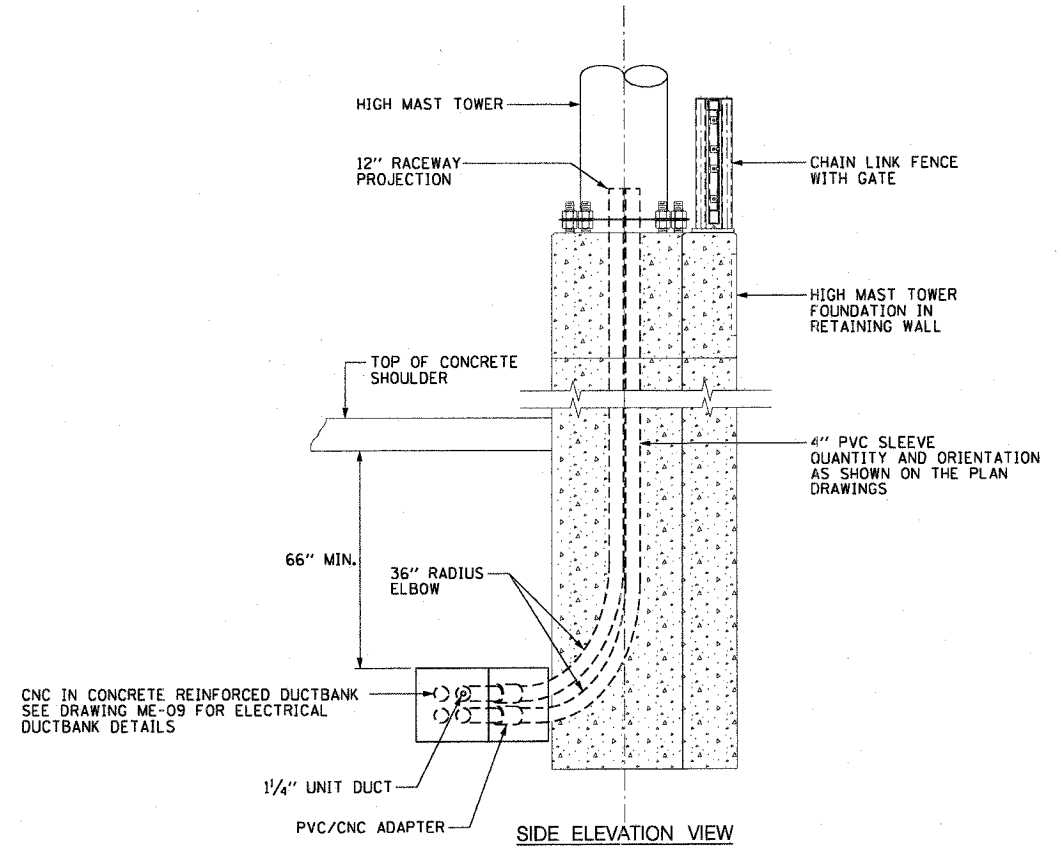
SIDE ELEVATION VIEW

TYPICAL CONDUIT INSTALLATION DETAIL FOR ROUTING UNIT DUCT IN GRADE TO FOUNDATION IN RETAINING WALL NOT TO SCALE

ME-03A



TOP VIEW



SIDE ELEVATION VIEW

TYPICAL CONDUIT INSTALLATION DETAIL FOR ROUTING CONCRETE DUCTBANK UNDER PAVEMENT TO FOUNDATION IN RETAINING WALL NOT TO SCALE

ME-03B

ME-03

REVISIONS	
NAME	DATE

ILLINOIS DEPARTMENT OF TRANSPORTATION
 F.A.I. 90/94 (DAN RYAN EXPRESSWAY)
 31st STREET TO I-57

CONDUIT INSTALLATION DETAILS FOR LIGHT TOWER FOUNDATIONS MOUNTED ON RETAINING WALLS

SCALE: NOT TO SCALE DRAWN BY: CJM
 DATE: October 29, 2004 CHECKED BY: WDS

m:\p40466\elect\16\citr\2003\contract 2\me020032a.dwg 10/14/2004 10:58:15 AM