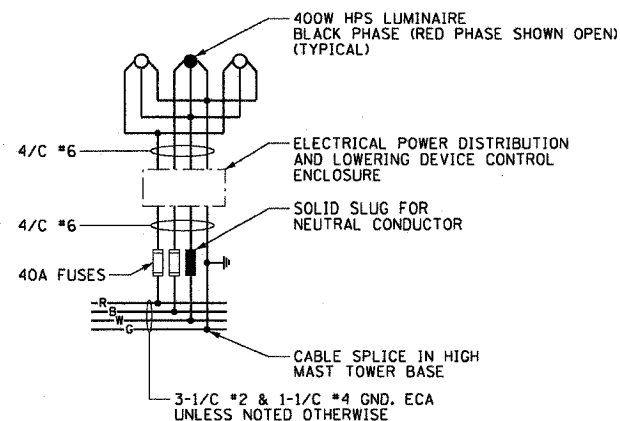


F.A.I. SECTION	COUNTY	TOTAL SHEETS	SHEET NO.
90/94 2003-0311	COOK	976	52
STA.	TO STA.		
FED. ROAD DIST. NO. 1 ILLINOIS FED. AID PROJECT			

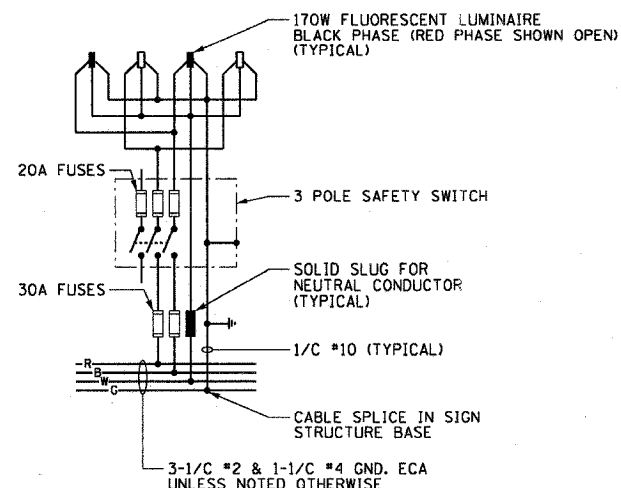
62583

NOTES:

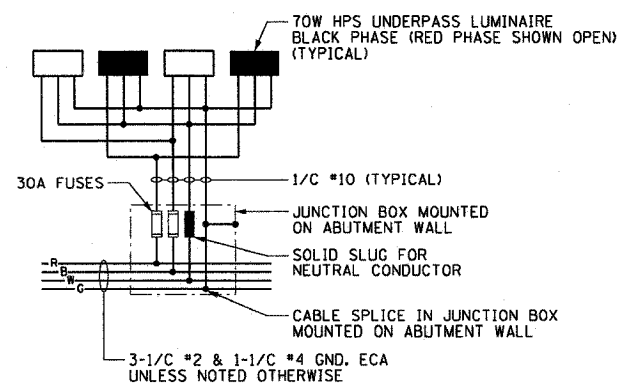
- SEE DRAWING ME-01 AND ME-02 FOR ELECTRICAL SYMBOLS AND ABBREVIATIONS.



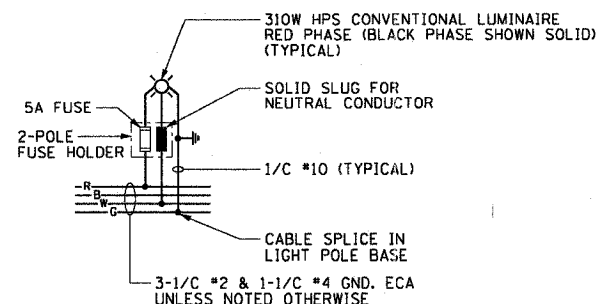
TYPICAL HIGH MAST LIGHT TOWER WIRING DIAGRAM
ME-12A
NOT TO SCALE



TYPICAL LIGHTED SIGN STRUCTURE WIRING DIAGRAM
ME-12B
NOT TO SCALE



TYPICAL UNDERPASS LIGHTING UNIT WIRING DIAGRAM
ME-12C
NOT TO SCALE



TYPICAL CONVENTIONAL LIGHTING UNIT WIRING DIAGRAM
ME-12D
NOT TO SCALE

ME-12

REVISIONS	
NAME	DATE

ILLINOIS DEPARTMENT OF TRANSPORTATION
F.A.I. 90/94 (DAN RYAN EXPRESSWAY)
31st STREET TO I-57

LUMINAIRE WIRING DIAGRAM DETAILS

SCALE: NOT TO SCALE
DATE: October 29, 2004
DRAWN BY: CJM
CHECKED BY: WDS

10/14/2004 10:58:48 AM