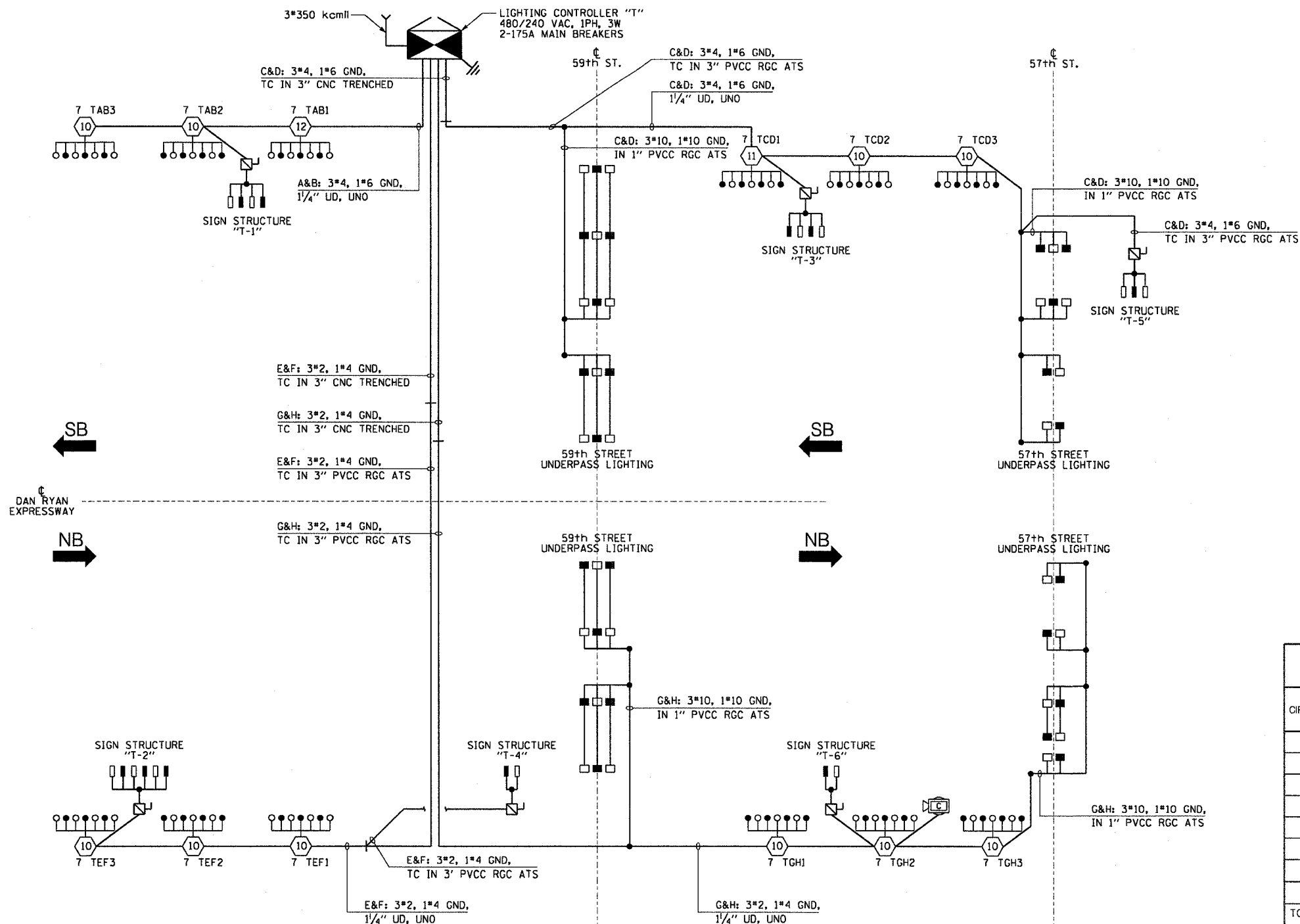


F.A.I. RTE.	SECTION	COUNTY	TOTAL SHEETS	SHEET NO.
90/94	2003-0311	COOK	976	350
STA.		TO STA.		
FED. ROAD DIST. NO. 1		ILLINOIS FED. AID PROJECT		

62583

**LEGEND**

- HIGH MAST LIGHT TOWER
- 400 WATT HPS LUMINAIRE (BLACK PHASE-SOLID SYMBOL, RED PHASE-OPEN SYMBOL)
- HIGH MAST TOWER DESIGNATION.
- LIGHTED SIGN STRUCTURE WITH 170 WATT FLUORESCENT LUMINAIRE, QUANTITY OF LUMINAIRE AS REQUIRED. (BLACK PHASE-SOLID SYMBOL, RED PHASE-OPEN SYMBOL)
- 3 POLE SAFETY SWITCH
- UNDERPASS LIGHTING UNIT, 70 WATT HPS LUMINAIRE. (BLACK PHASE-SOLID SYMBOL, RED PHASE-OPEN SYMBOL)
- LIGHTING CONTROLLER
- GROUND FIELD
- ELECTRIC UTILITY SERVICE
- CLOSED CIRCUIT TELEVISION CAMERA



CIRCUIT	RED PHASE		BLACK PHASE		
	AMPS	WATTS	AMPS	WATTS	
A	23.0	5,520	B	21.1	5,064
C	27.7	6,648	D	28.4	6,816
E	24.7	5,928	F	22.8	5,472
G	24.4	5,856	H	26.3	6,312
I	-	-	J	-	-
K	-	-	L	-	-
M	-	-	N	-	-
O	-	-	P	-	-
TOTAL	99.8	23,952	TOTAL	98.6	23,664

**SINGLE LINE DIAGRAM  
LIGHTING CONTROLLER "T"**  
NOT TO SCALE

SLO8-08

REVISIONS	
NAME	DATE

ILLINOIS DEPARTMENT OF TRANSPORTATION  
F.A.I. 90/94 (DAN RYAN EXPRESSWAY)  
31st STREET TO I-57

**SINGLE LINE DIAGRAM  
LIGHTING CONTROLLER "T"  
PROPOSED IMPROVEMENTS**

SCALE: NOT TO SCALE      DRAWN BY: CJM  
DATE: October 29, 2004      CHECKED BY: WDS