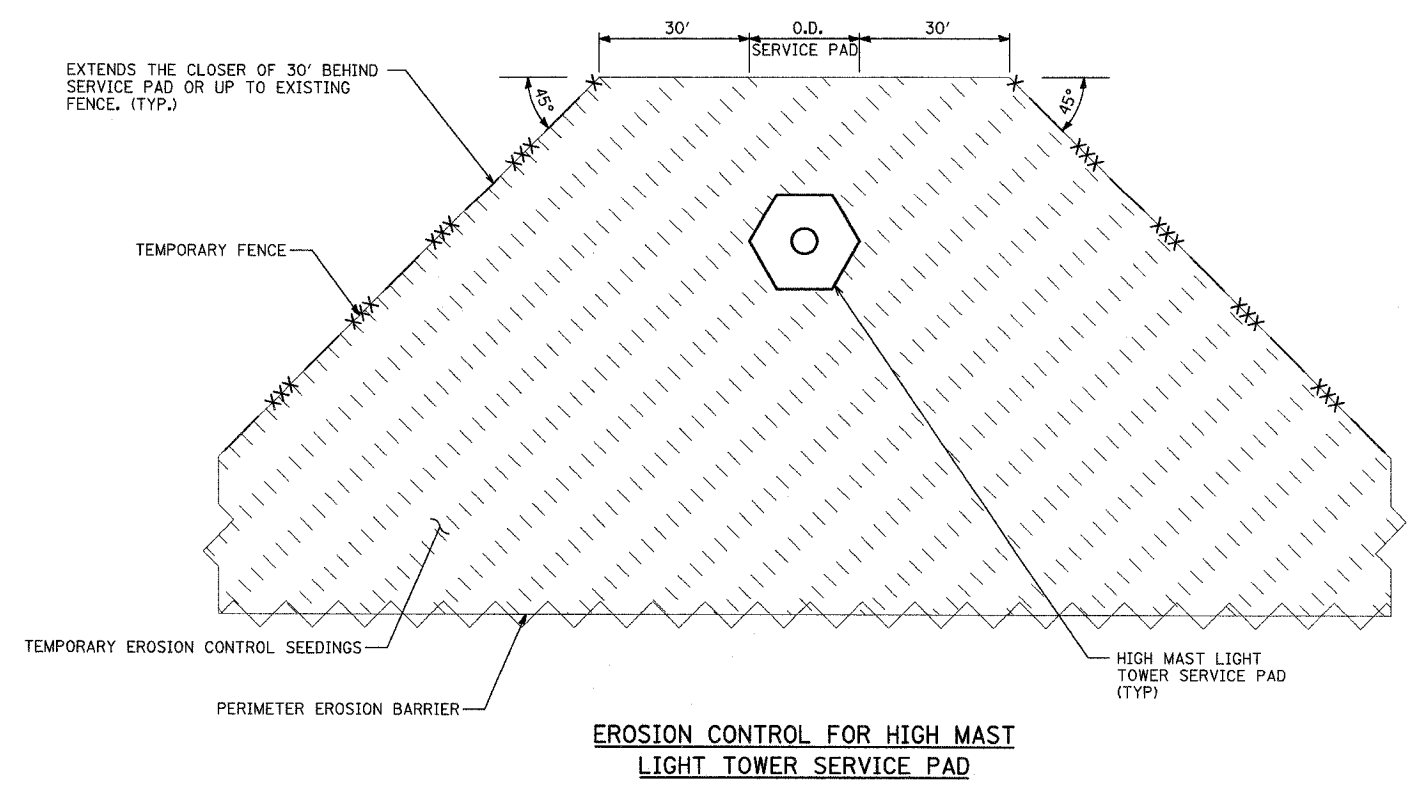
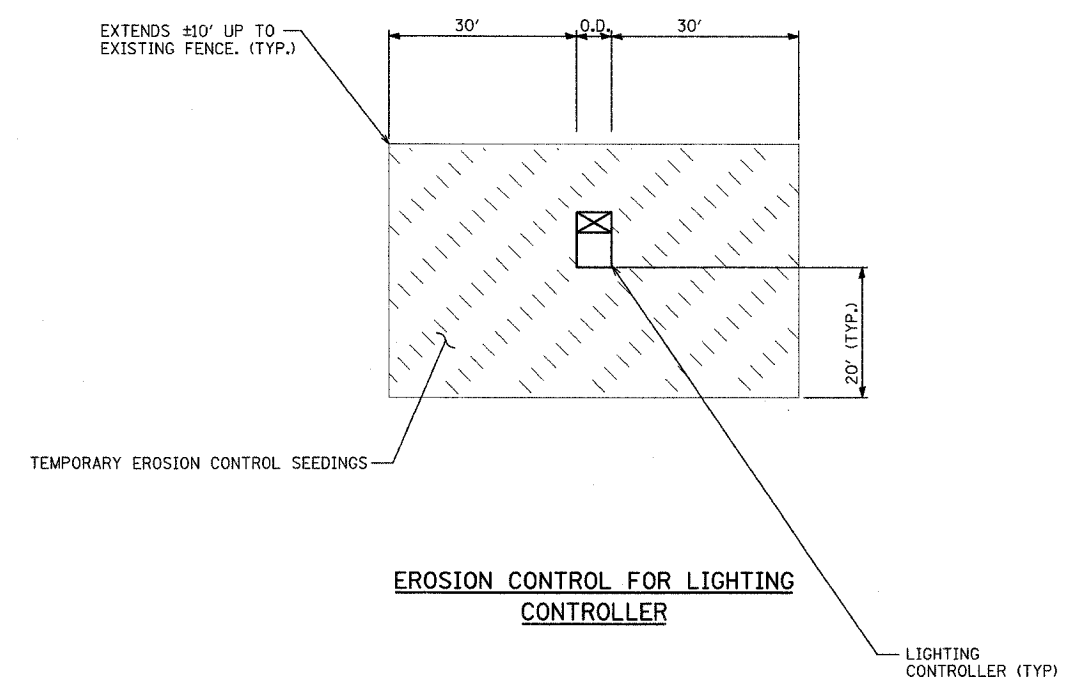


F.A.I. RTE.	SECTION	COUNTY	TOTAL SHEETS	SHEET NO.
90/94	2003-0311	COOK	976	453
STA.		TO STA.		
FED. ROAD DIST. NO.		ILLINOIS FED. AID PROJECT		

62583



TYLIN INTERNATIONAL

REVISIONS	
NAME	DATE

ILLINOIS DEPARTMENT OF TRANSPORTATION
 F.A.I. 90/94 (DAN RYAN EXPRESSWAY)
 31st STREET to I-57

EROSION CONTROL DETAILS

SCALE: NO SCALE DRAWN BY: JPA
 DATE: OCTOBER 29, 2004 CHECKED BY: MAG

10/29/2004 10:29:29 AM