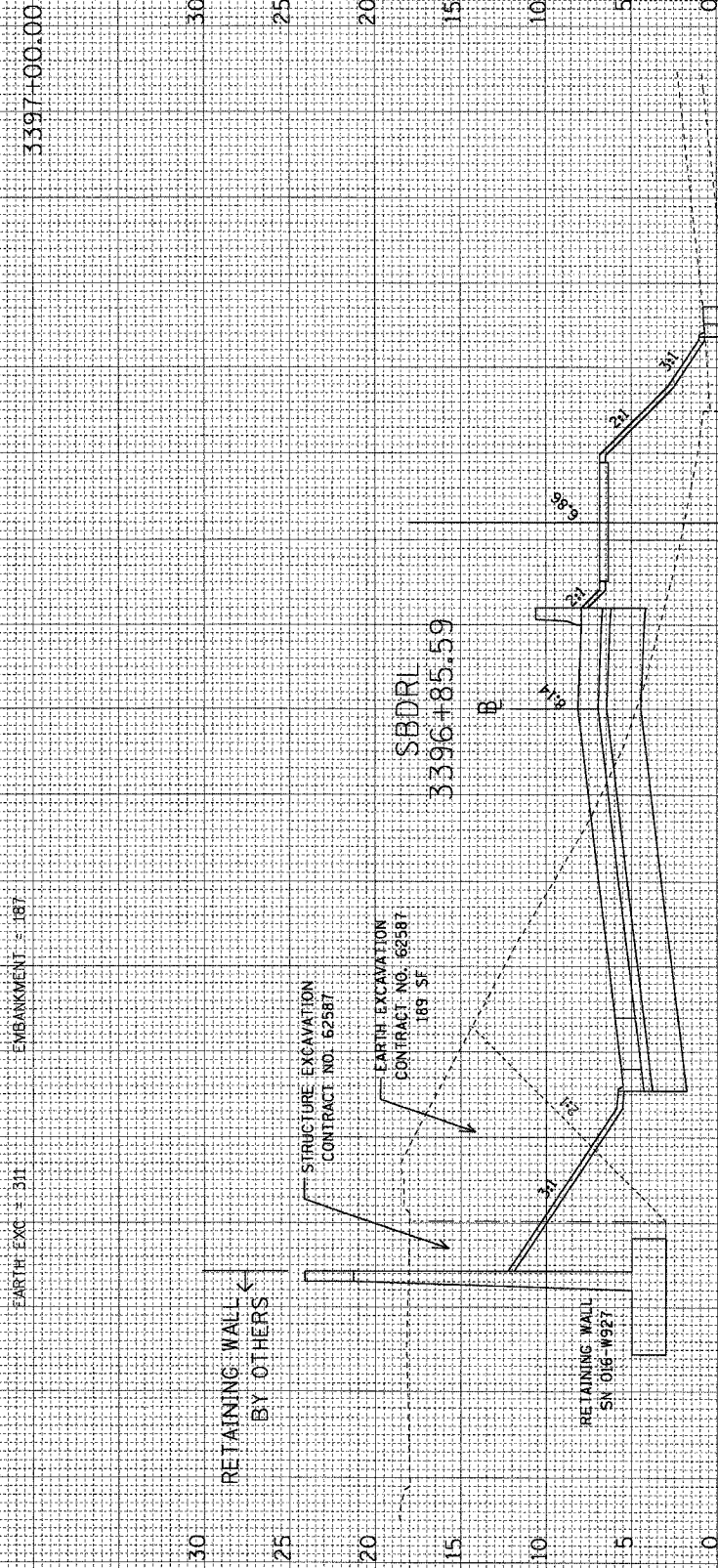
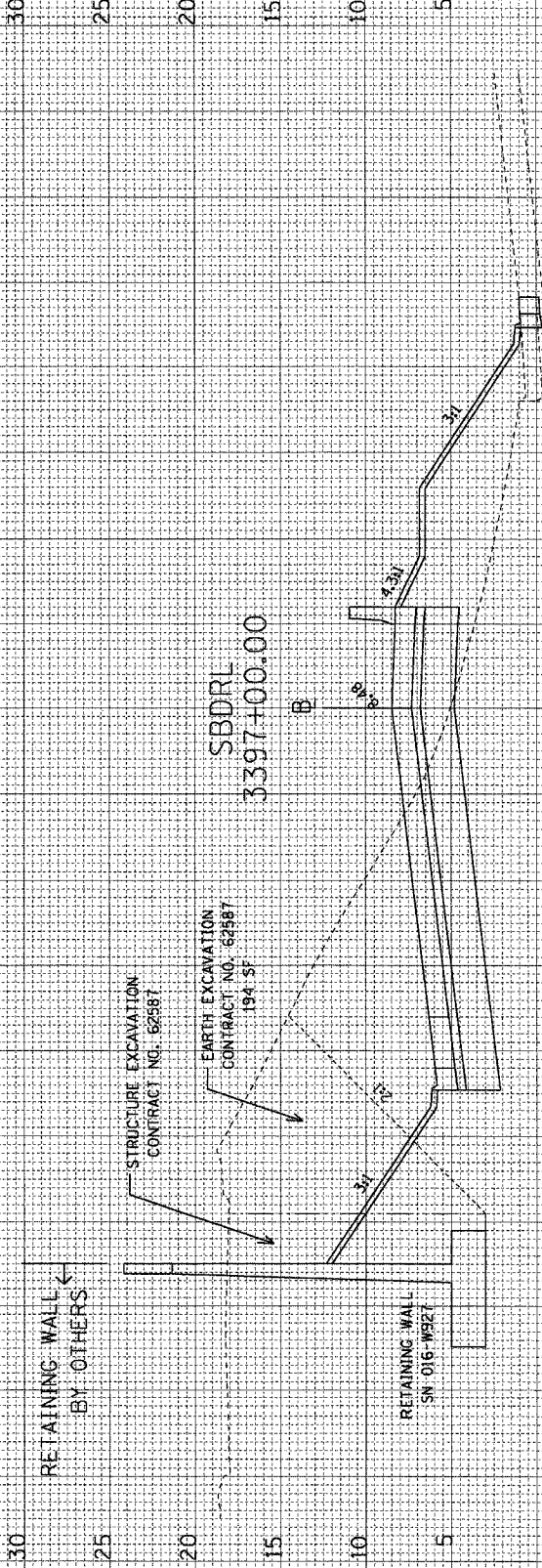


FINAL SURVEY	DATE
SURVEYED	BY
NOTE BOOK	
TEMPLATE	
AREAS	
AREAS CHECKED	

ORIGINAL SURVEY	DATE
SURVEYED	BY
NOTE BOOK	
TEMPLATE	
AREAS	
AREAS CHECKED	

F.A.I. RTE.	SECTION	COUNTY	TOTAL SHEETS	SHEET NO.
90/94	2003-0311	COOK	976	562
62583				
FED. ROAD DIST. NO. 1 ILLINOIS FED. AID PROJECT				



HIGH MAST TOWER: 7 RICD2

