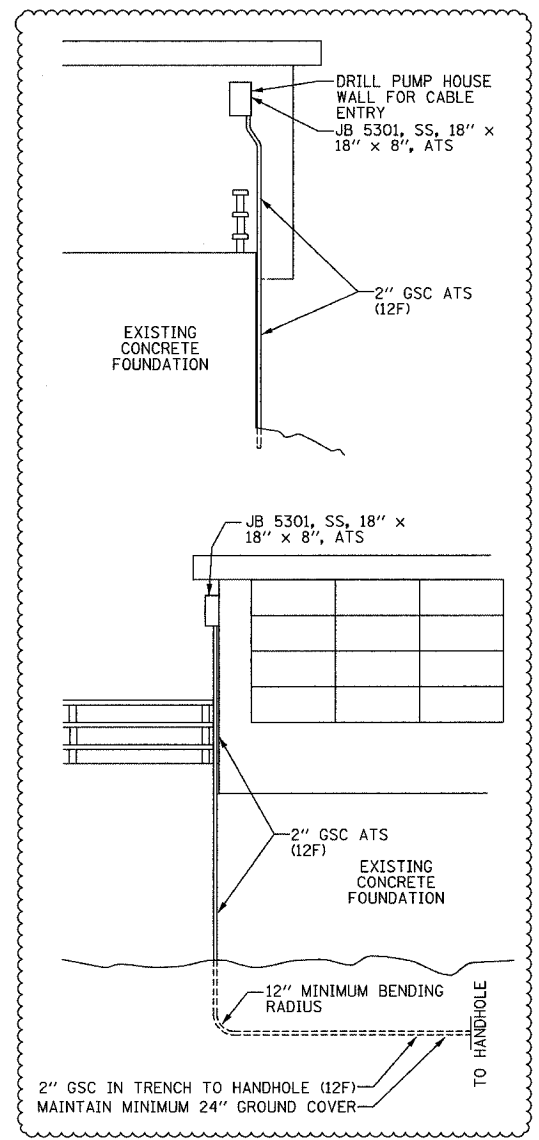
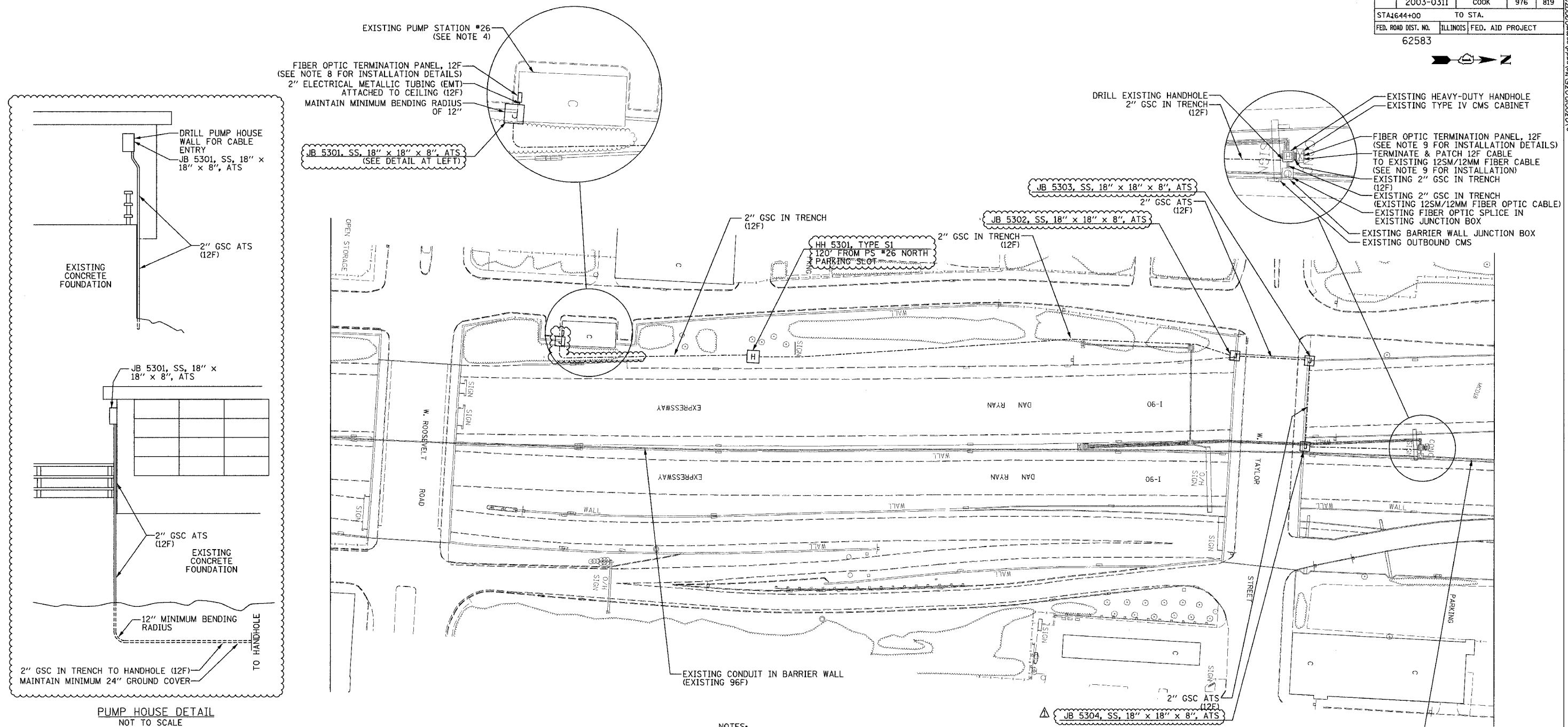
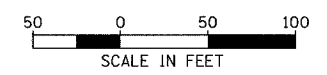


SECTION	COUNTY	TOTAL SHEETS	SHEET NO.
2003-0311	COOK	976	819
STA 1644+00 TO STA.			
FED. ROAD DIST. NO.		ILLINOIS FED. AID PROJECT	
62583			



PUMP HOUSE DETAIL  
NOT TO SCALE

- NOTES:
1. SEE DRAWING ME-01 AND ME-02 FOR ELECTRICAL SYSTEMS AND ABBREVIATIONS.
  2. UNLESS OTHERWISE NOTED, ALL NOTED CABLE AND CONDUIT TO BE FURNISHED AND INSTALLED UNDER THIS CONTRACT.
  3. TRENCHED CONDUITS INSTALLED IN PARALLEL ARE TO BE INSTALLED IN COMMON TRENCH.
  4. THIS SHEET ONLY DEPICTS INSTALLATION OF COMMUNICATIONS ELEMENTS. REFER TO SHEETS FOR OTHER SUBSYSTEMS FOR ADDITIONAL ELEMENTS IN THE AREA SHOWN.
  5. CONTRACTOR TO ROD AND CLEAN EXISTING CONDUITS PRIOR TO INSTALLING AND PULLING INNERDUCTS AND CABLES IN CONDUITS.
  6. COMMUNICATIONS CONDUIT SHALL NOT BE INSTALLED IN ELECTRICAL HANDHOLES (SEE DETAIL SHEET 45).
  7. FOR HANDHOLE DETAILS, SEE SHEET DT-44 AND DT-46.
  8. CONTRACTOR SHALL INSTALL FIBER OPTIC TERMINATION PANEL IN THE EXISTING 19" HAR EQUIPMENT CABINET (BY OTHERS) IN PUMP STATION #26.
  9. CONTRACTOR SHALL COORDINATE WITH ENGINEER WHEN PATCHING FIBER OPTIC CABLE AT THE EXISTING CMS CABINET. THE WORK AT THIS CABINET SHALL INCLUDE THE NECESSARY FIBER OPTIC FURCATION KIT TO BREAK OUT AND PROTECT THE 12 FIBER CABLE. THE COST OF THE FURCATION KIT AND ANY WORK ASSOCIATED SHALL BE CONSIDERED INCIDENTAL TO THE COST OF THE 12 FIBER PIGTAIL.
  10. SEE DRAWING ME-05 FOR CONDUIT ATTACHED TO STRUCTURE INSTALLATION DETAILS.
  11. SEE DRAWING ME-07C FOR CONDUIT CLAMP INSTALLATION DETAIL.



COMM-53

REVISIONS	
NAME	DATE
REVISION 1	12/17/04

ILLINOIS DEPARTMENT OF TRANSPORTATION  
F.A.I. 94/90 (DAN RYAN EXPRESSWAY)  
31st STREET TO I-57  
ROOSEVELT ROAD HAR COMMUNICATIONS  
CONDUIT AND CABLE LAYOUT  
SCALE: 1"=50'  
DATE: October 29, 2004  
DRAWN BY: DHI  
CHECKED BY: MJL

**Edwards AND Kelcey**  
ONE NORTH FRANKLIN  
CHICAGO, IL 60606  
PHONE: (312) 251-3000  
FAX: (312) 251-3015  
WEB: WWW.EDKCORP.COM

P:\030019035\18\Coord\Comm\2003\2003-0311.dwg 12/15/2004 01:46:07 PM