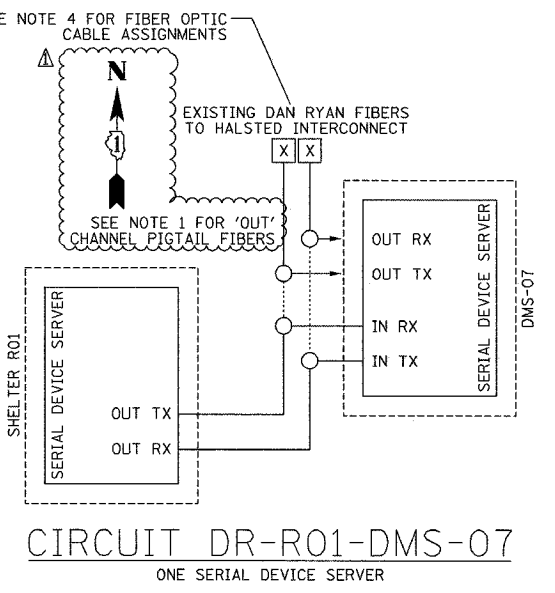
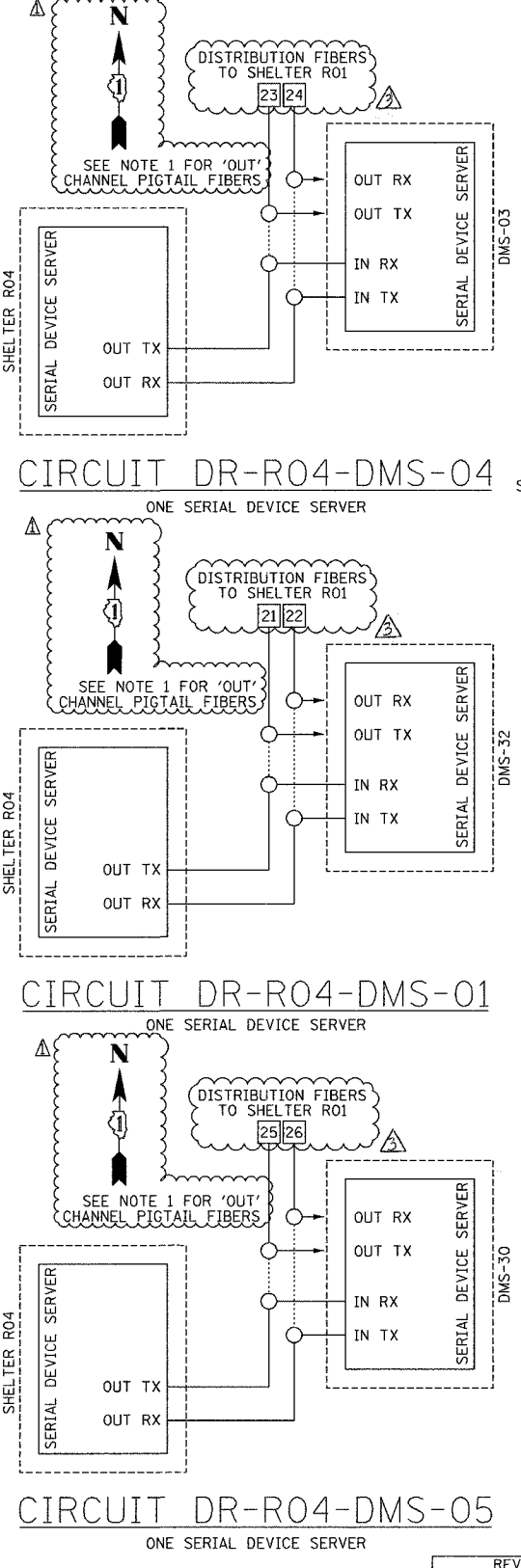
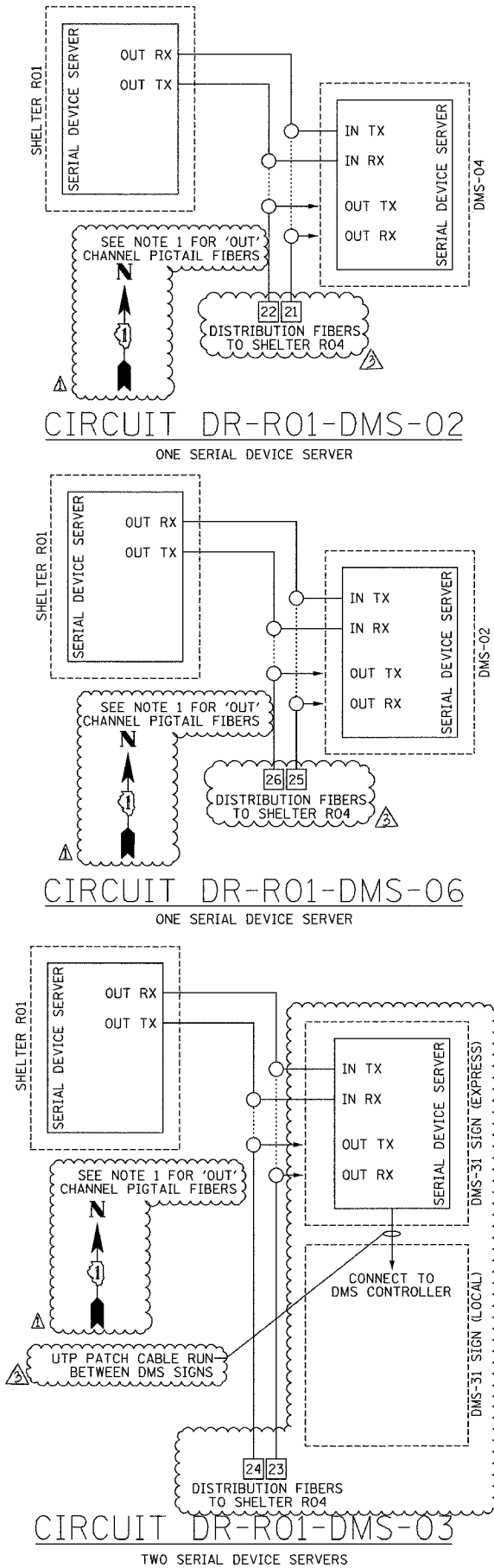
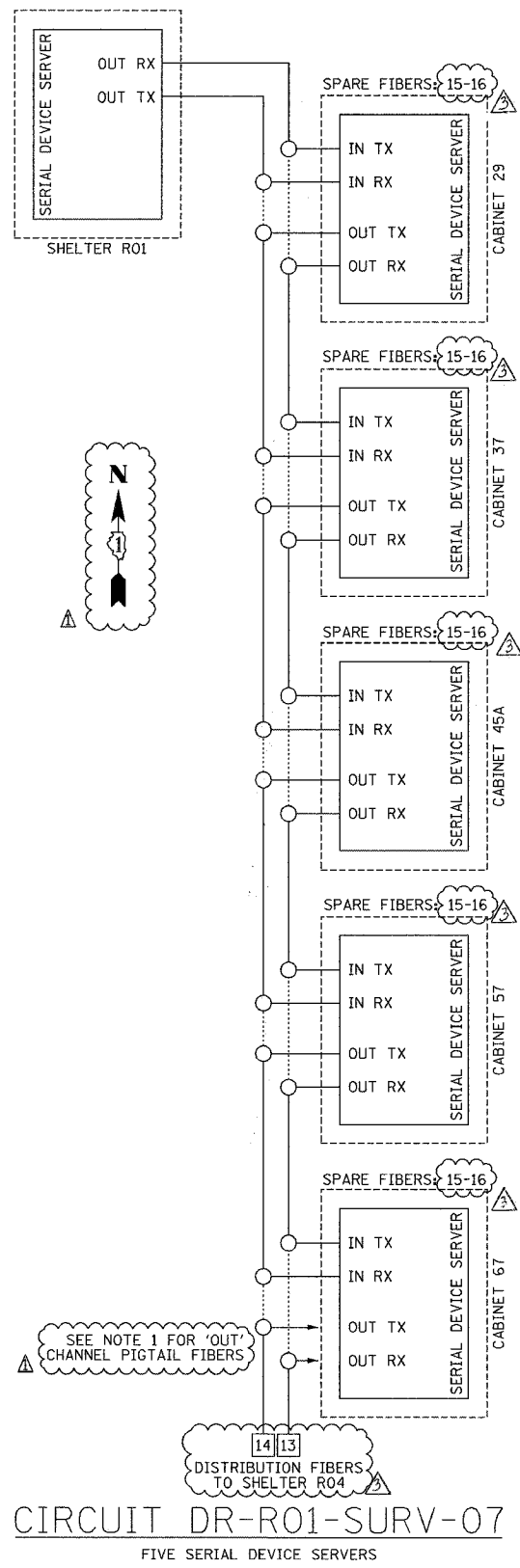
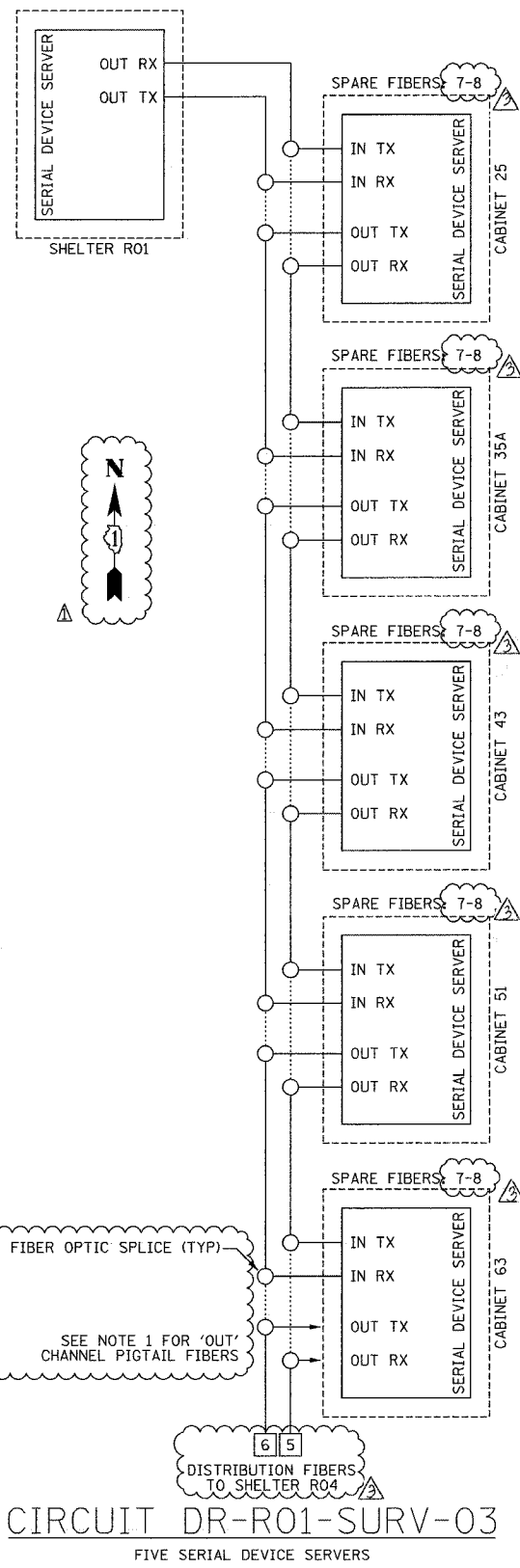


SECTION	COUNTY	TOTAL SHEETS	SHEET NO.
2003-0311	COOK	976	827
STA. TO STA.			
FED. ROAD DIST. NO.		ILLINOIS FED. AID PROJECT	
62583			



- NOTES:
1. FIBERS IN PIGTAIL ARE SPLICED TO MAINLINE FIBERS AND TERMINATED IN THE CABINET BUT ARE NOT CONNECTED TO EQUIPMENT.
 2. THIS SHEET PROVIDES AN OVERVIEW OF THE SURVEILLANCE SYSTEM. FOR LOCATIONS OF EQUIPMENT INSTALLATION, SEE SHEETS DET-01 THRU DET-47.
 3. CONNECTIONS BETWEEN EQUIPMENT IS BY FIBER OPTIC CABLE INSTALLED UNDER THIS CONTRACT. SEE SHEETS COMM-01 THRU COMM-51 FOR FIBER INSTALLATION PLANS.
 4. CONTRACTOR SHALL SPLICED PIGTAIL FIBERS TO EXISTING DAN RYAN 96 FIBER CABLE IN BARRIER WALL. CONTRACTOR SHALL COORDINATE WITH ENGINEER FOR FIBER OPTIC CABLE SPLICING ASSIGNMENTS. SEE SHEET COMM-52 FOR SITE PLAN DETAILS.
 5. FOR FIBER OPTIC SPLICING TABLES, SEE SHEETS COMM-62 THRU COMM-69.
- | DESIGNATION | SHELTER |
|-------------|-------------------------------|
| R01 | I-55 SHELTER |
| R02 | IDOT MAINTENANCE YARD SHELTER |
| R03 | EAST SHELTER |
| R04 | EXISTING I-57 SHELTER |

REVISIONS	
NAME	DATE
REVISION 1	12/17/04
REVISION	02/11/05

ILLINOIS DEPARTMENT OF TRANSPORTATION
F.A.I. 94/90 (DAN RYAN EXPRESSWAY)
31st STREET TO I-57

SURVEILLANCE SYSTEM DIAGRAMS
(SHEET 3 OF 3)

SCALE: NOT TO SCALE
DATE: October 29, 2004

DRAWN BY: DHI
CHECKED BY: JEZ

Edwards AND Kelcey
ONE NORTH FRANKLIN
CHICAGO, IL 60606
PHONE: (312) 251-3000
FAX: (312) 251-3015
WEB: WWW.EKCORP.COM

04/24/05 04:49 PM