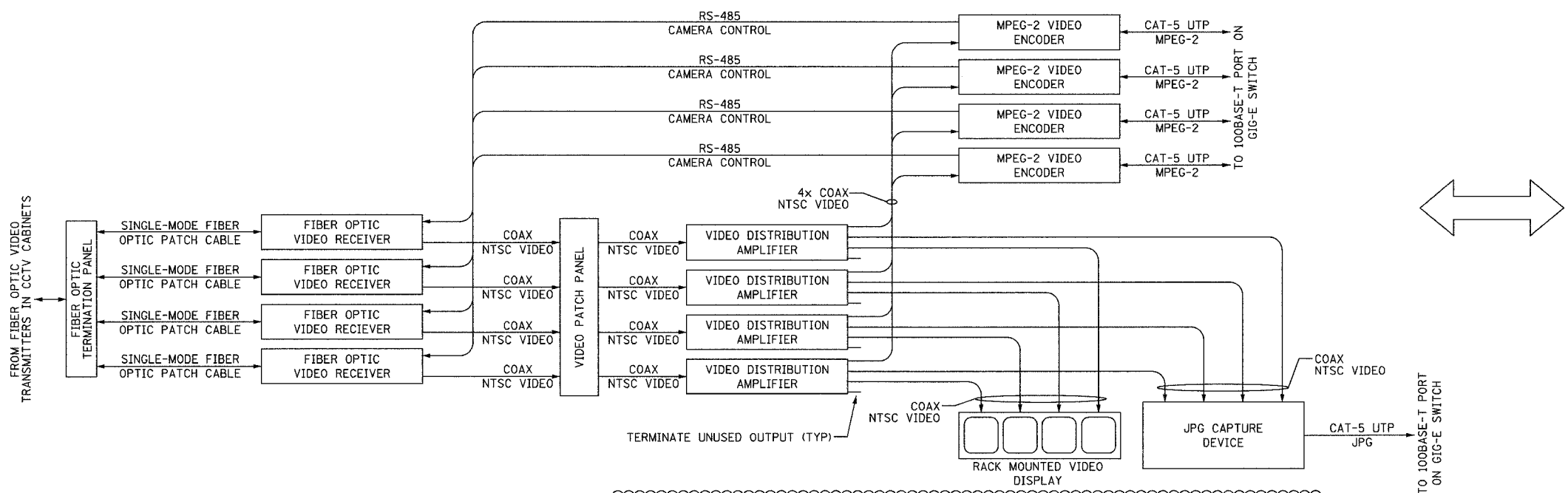
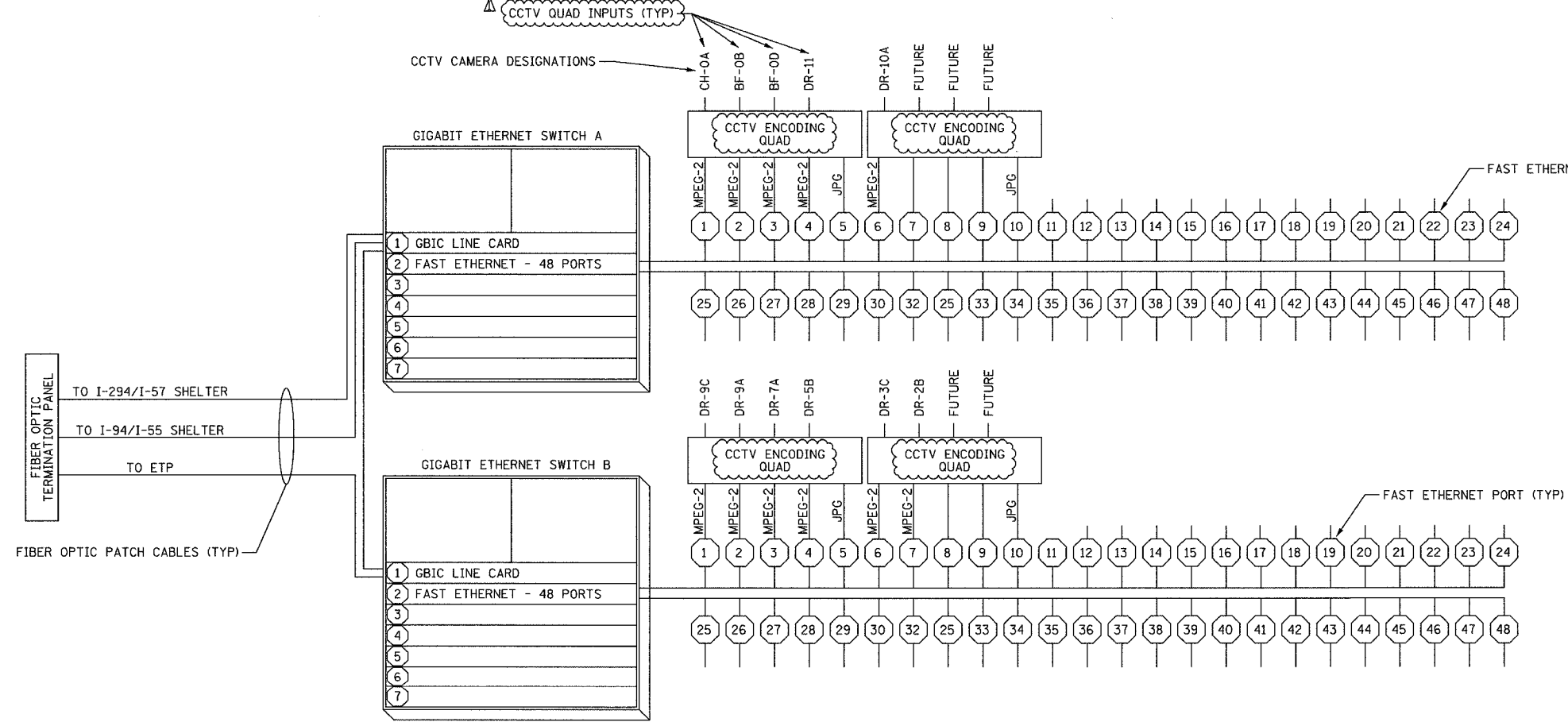


SECTION	COUNTY	TOTAL SHEETS	SHEET NO.
2003-0311	COOK	976	837
STA.	TO STA.		
FED. ROAD DIST. NO.	ILLINOIS	FED. AID PROJECT	
62583			



ONE-LINE DIAGRAM FOR CCTV ENCODING QUAD  
NOT TO SCALE



- NOTES:
1. THIS DRAWING IS FOR REFERENCE ONLY AND PROVIDES AN OVERVIEW OF THE CCTV EQUIPMENT INTERCONNECTS AT THE SHELTER.
  2. CONTRACTOR SHALL PROVIDE NECESSARY POWER CONNECTIONS TO THE EQUIPMENT.
  3. FOR FIBER OPTIC CABLE PATCH AND TERMINATION DETAILS, SEE SHEETS COMM-110 THRU COMM-113.
  4. EACH CCTV ENCODING QUAD SHALL BE FULLY EQUIPPED WITH ALL HARDWARE.

COMM-71

**Edwards AND Kelcey**  
ONE NORTH FRANKLIN  
CHICAGO, IL 60606  
PHONE: (312) 251-3000  
FAX: (312) 251-3015  
WEB: WWW.EDKCORP.COM

EQUIPMENT INTERCONNECT DIAGRAM  
NOT TO SCALE

REVISIONS	
NAME	DATE

ILLINOIS DEPARTMENT OF TRANSPORTATION  
F.A.I. 94/90 (DAN RYAN EXPRESSWAY)  
31st STREET to I-57

I-57 SHELTER (R04)  
CCTV DISTRIBUTION SUBSYSTEM

SCALE: NOT TO SCALE  
DATE: October 29, 2004

DRAWN BY: DHI  
CHECKED BY: JEZ

12/15/2004 01:49:16 PM A:\030009\035\vis\word\0120232e.rtf