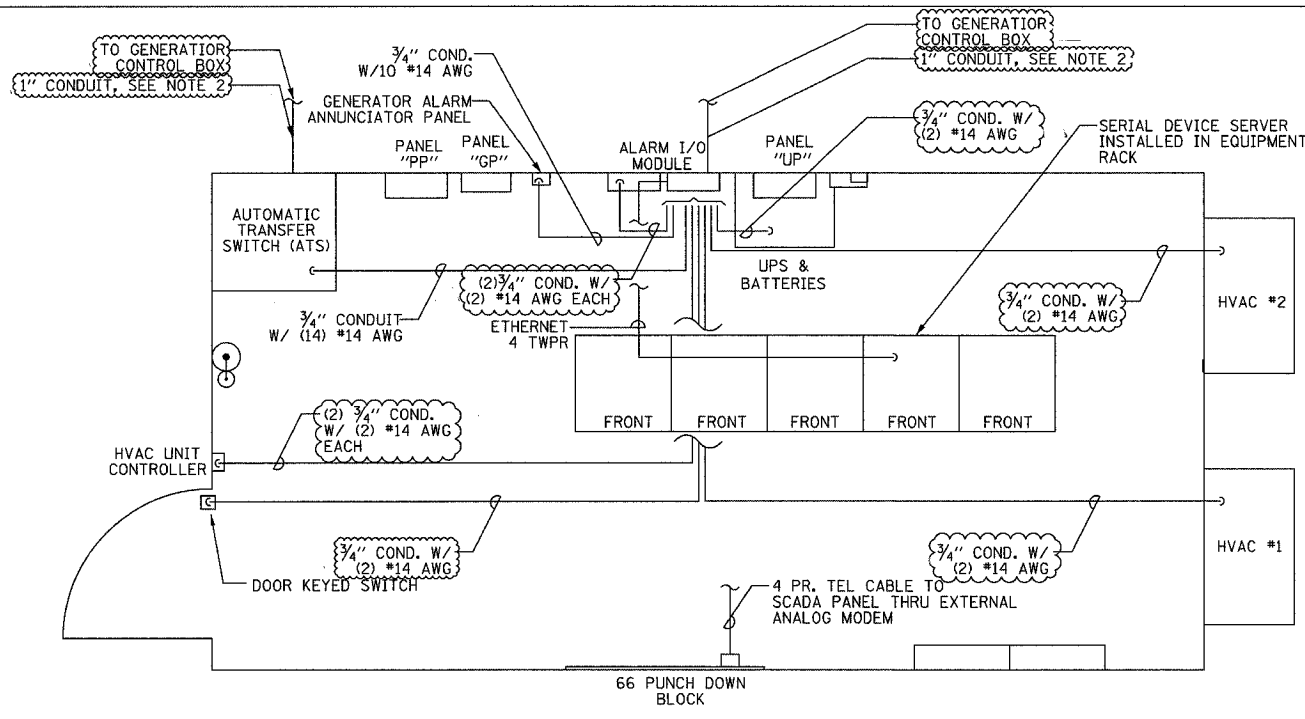
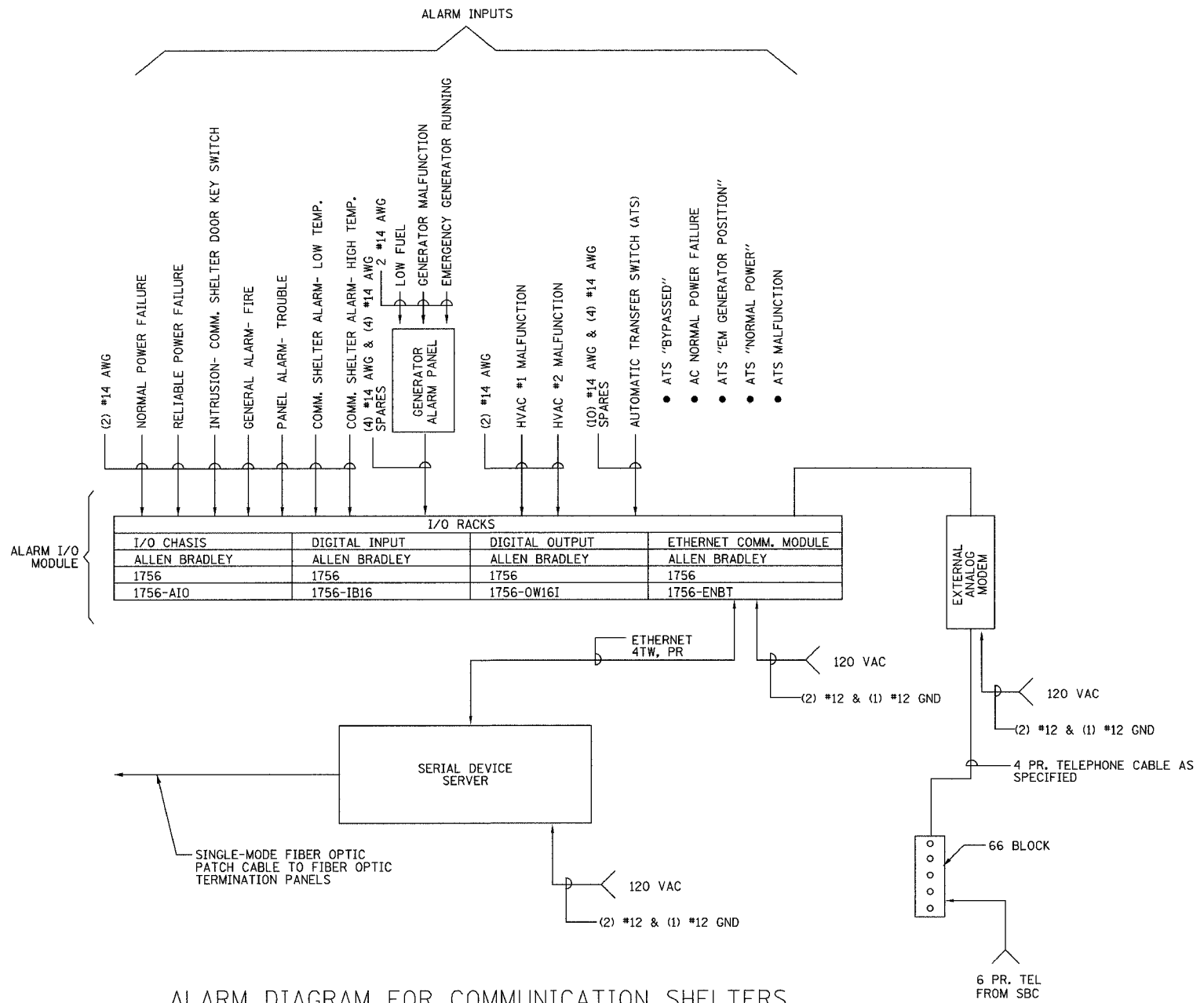


F.A.I. RTE.	SECTION	COUNTY	TOTAL SHEETS	SHEET NO.
94/90	2003-0311	COOK	976	854
STA.	TO STA.			
FED. ROAD DIST. NO.	ILLINOIS	FED. AID PROJECT		
62583				



ALARM WIRING LAYOUT
NOT TO SCALE

- NOTES:
1. ALL ALARM WIRE INSULATION SHALL BE THWN UNLESS NOTED OTHERWISE.
 2. QUANTITY OF ALARM & CONTROL WIRE SIZE PER MANUFACTURER'S RECOMMENDATION.



ALARM DIAGRAM FOR COMMUNICATION SHELTERS
NOT TO SCALE

COMM-88

Edwards AND Kelcey
ONE NORTH FRANKLIN
CHICAGO, IL 60606
PHONE: (312) 251-3000
FAX: (312) 251-3015
WEB: WWW.EKCORP.COM

REVISIONS	
NAME	DATE
REVISION 1	12/17/04

ILLINOIS DEPARTMENT OF TRANSPORTATION
F.A.I. 94/90 (DAN RYAN EXPRESSWAY)
31st STREET to I-57
I-55 SHELTER (R01)
ALARM SCHEMATIC
SCALE: NOT TO SCALE
DATE: October 29, 2004
DRAWN BY: JM
CHECKED BY: CS

12/15/2004 01:51:28 PM