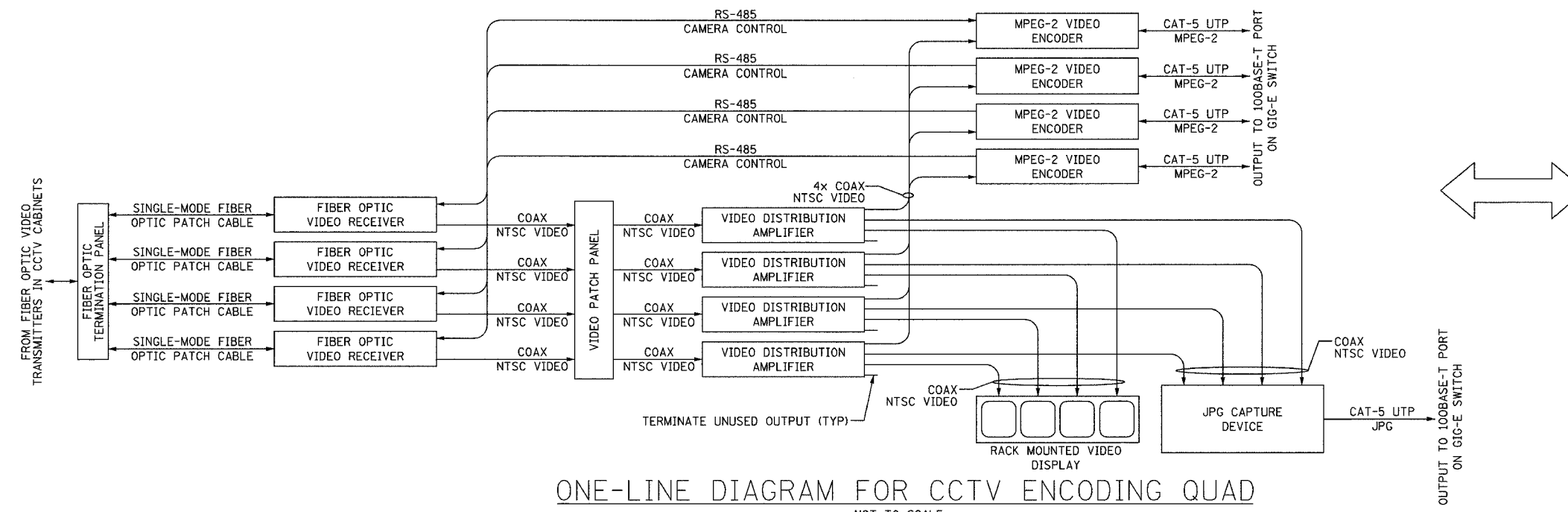
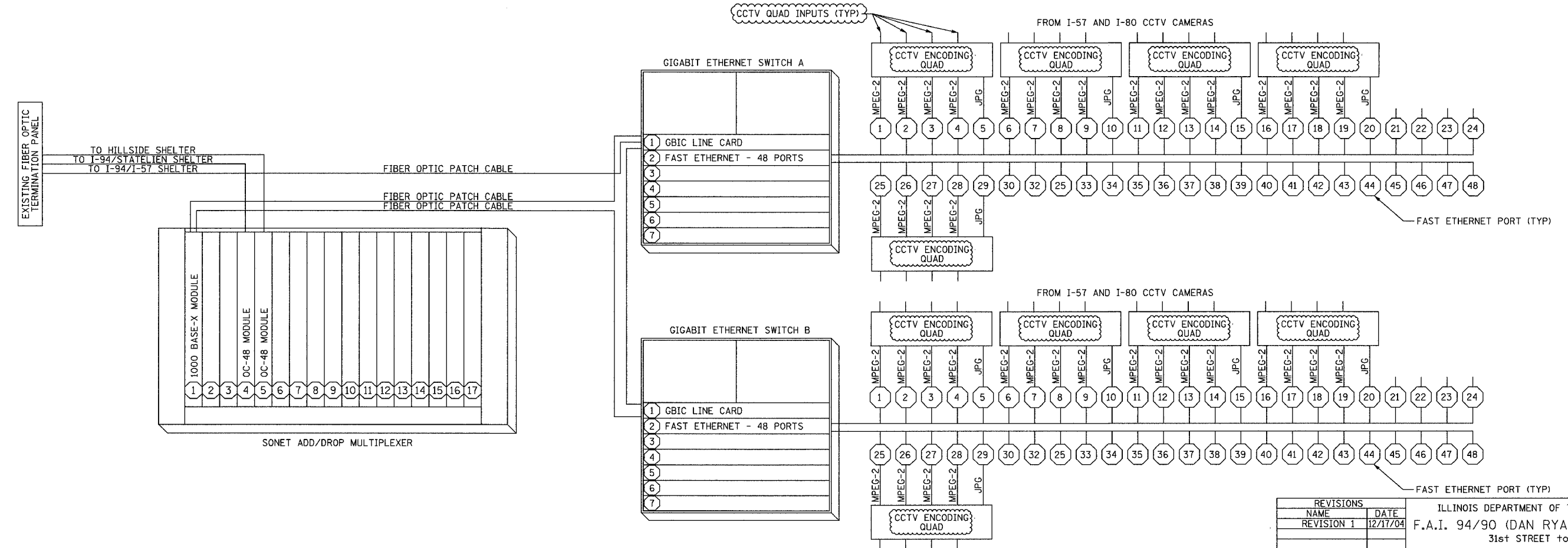


F.A.I. RTE.	SECTION	COUNTY	TOTAL SHEETS	SHEET NO.
94/90	2003-0311	COOK	976	865
STA.	TO STA.			
FED. ROAD DIST. NO.	ILLINOIS FED. AID PROJECT			
62583				



ONE-LINE DIAGRAM FOR CCTV ENCODING QUAD
NOT TO SCALE

- NOTES:
1. THIS DRAWING IS FOR REFERENCE ONLY AND PROVIDES AN OVERVIEW OF THE CCTV EQUIPMENT INTERCONNECTS AT THE SHELTER.
 2. CONTRACTOR SHALL PROVIDE NECESSARY POWER CONNECTIONS TO THE EQUIPMENT.
 3. EACH CCTV ENCODING QUAD SHALL BE FULLY EQUIPPED WITH HARDWARE.



EQUIPMENT INTERCONNECT DIAGRAM
NOT TO SCALE

REVISIONS	
NAME	DATE
REVISION 1	12/17/04

ILLINOIS DEPARTMENT OF TRANSPORTATION
F.A.I. 94/90 (DAN RYAN EXPRESSWAY)
31st STREET to I-57

I-294/I-57 SHELTER
WIRING DIAGRAM

SCALE: NOT TO SCALE
DATE: October 29, 2004

DRAWN BY: DHI
CHECKED BY: JEZ

P:\03000\9035\Vis\cctv\02030292.dwg 12/15/2004 01:51:36 PM