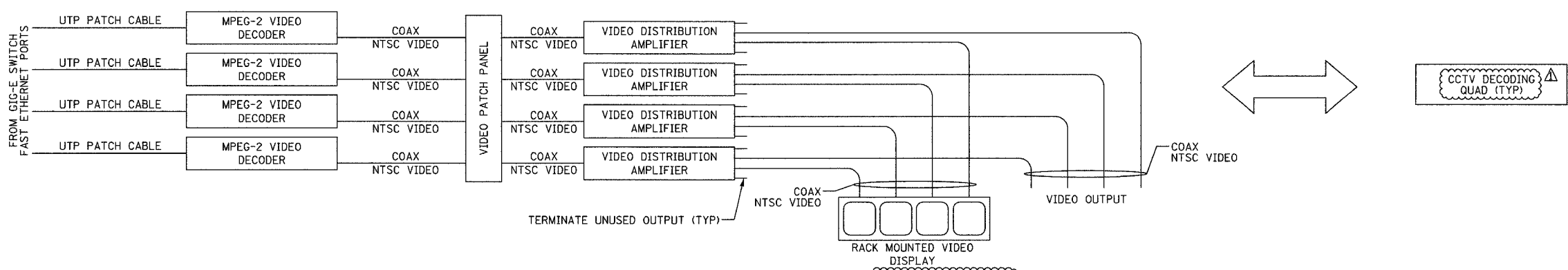
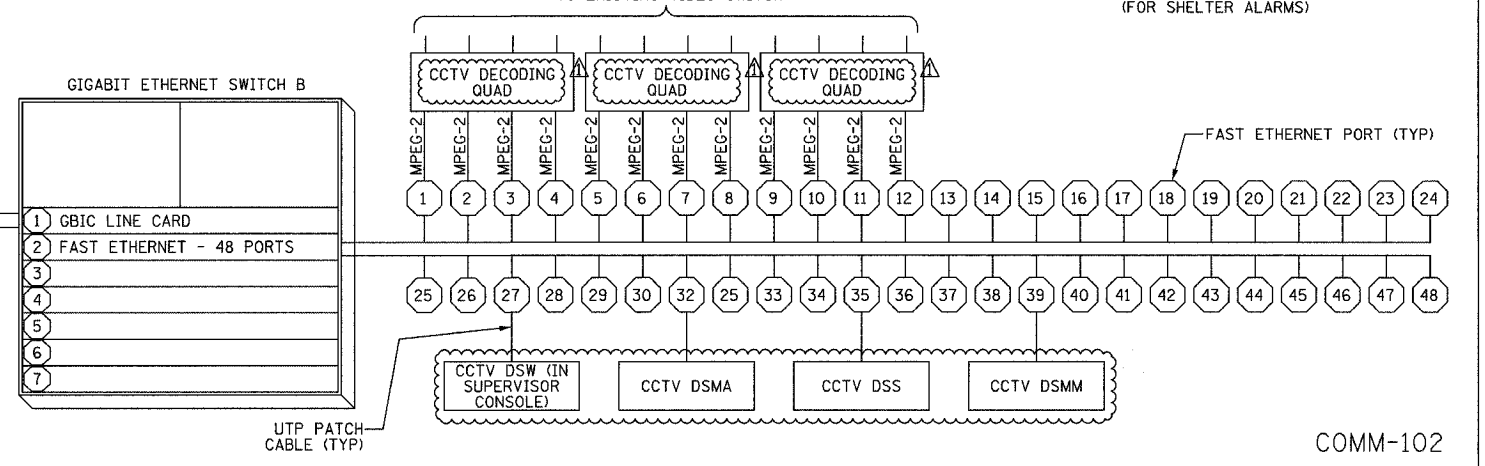
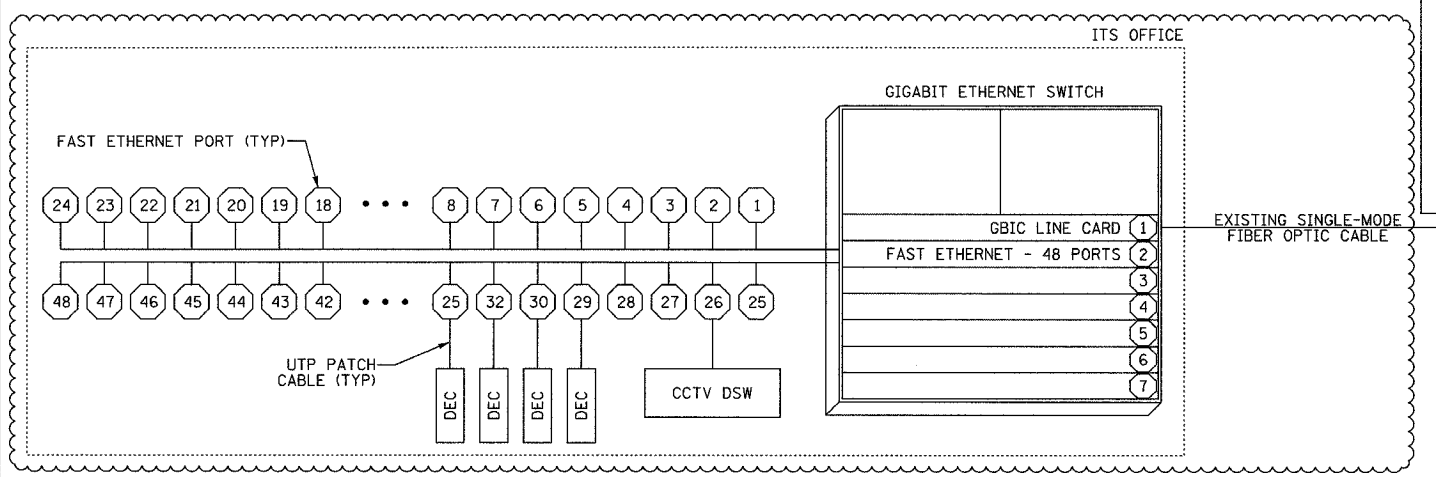
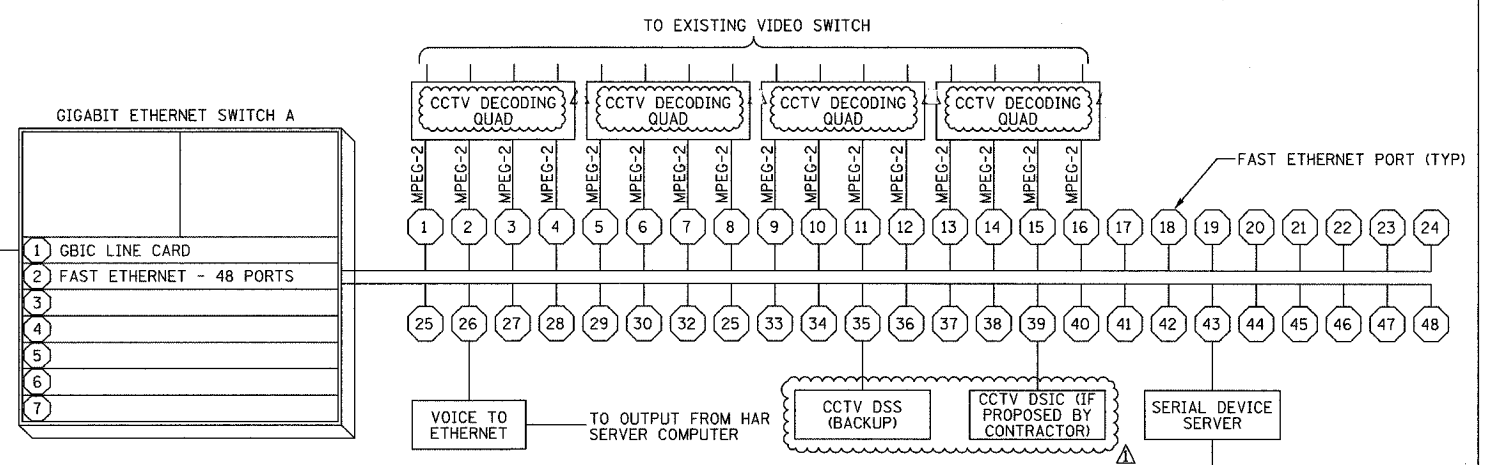
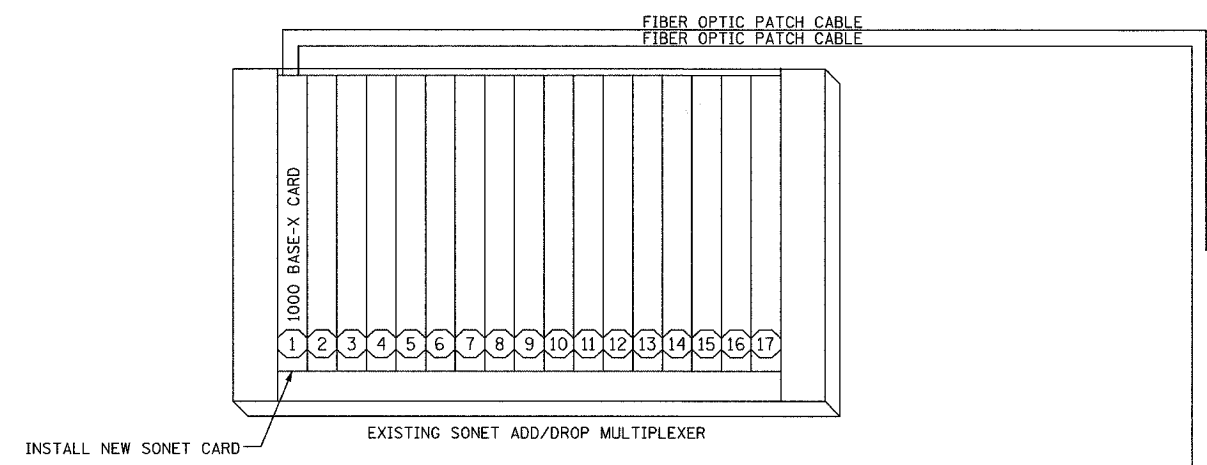


F.A.I. RTE.	SECTION	COUNTY	TOTAL SHEETS	SHEET NO.
94/90	2003-0311	COOK	976	868
STA.	TO STA.			
FED. ROAD DIST. NO.	ILLINOIS	FED. AID PROJECT		
	62583			



ONE-LINE DIAGRAM FOR CCTV DECODING QUAD
NOT TO SCALE



EQUIPMENT INTERCONNECT DIAGRAM
NOT TO SCALE

- NOTES:
- THIS DRAWING IS FOR REFERENCE ONLY AND PROVIDES AN OVERVIEW OF THE CCTV EQUIPMENT INTERCONNECTS AT THE COMMUNICATION SHELTER.
 - CONTRACTOR SHALL PROVIDE NECESSARY POWER CONNECTIONS TO THE EQUIPMENT.
 - EACH CCTV DECODING QUAD SHALL BE FULLY EQUIPPED WITH ALL HARDWARE.

LEGEND:

DEC	MPEG-2 DECODER
DSIC	DISTRIBUTION SYSTEM IMAGE CAPTURE
DSMA	DISTRIBUTION SYSTEM VIDEO MANAGEMENT & ARCHIVING
DSMM	DISTRIBUTION SYSTEM MAINTENANCE MONITOR
DSS	DISTRIBUTION SYSTEM SERVER
DSW	DISTRIBUTION SYSTEM WORKSTATION

REVISIONS	
NAME	DATE
REVISION 1	12/17/04

ILLINOIS DEPARTMENT OF TRANSPORTATION
F.A.I. 94/90 (DAN RYAN EXPRESSWAY)
31st STREET to I-57

SCHAUBURG COMMUNICATION CENTER
EQUIPMENT WIRING DIAGRAM

SCALE: NOT TO SCALE
DATE: October 29, 2004
DRAWN BY: DHI
CHECKED BY: JEZ

