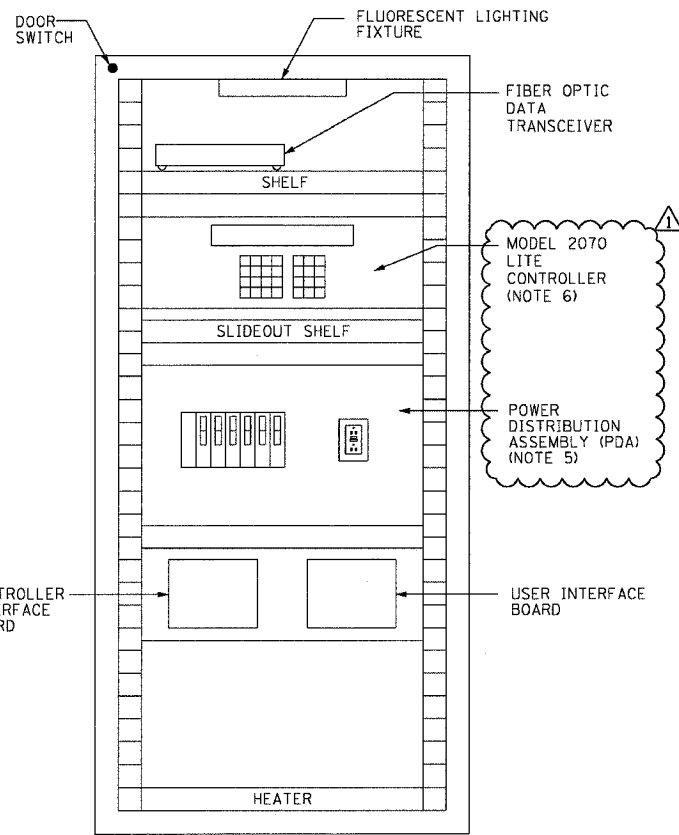


F.A.I. RTE.	SECTION	COUNTY	TOTAL SHEETS	SHEET NO.
90/94	2003-0311	COOK	976	900
STA.	TO STA.			
FED. ROAD DIST. NO. 1	ILLINOIS	FED. AID PROJECT		

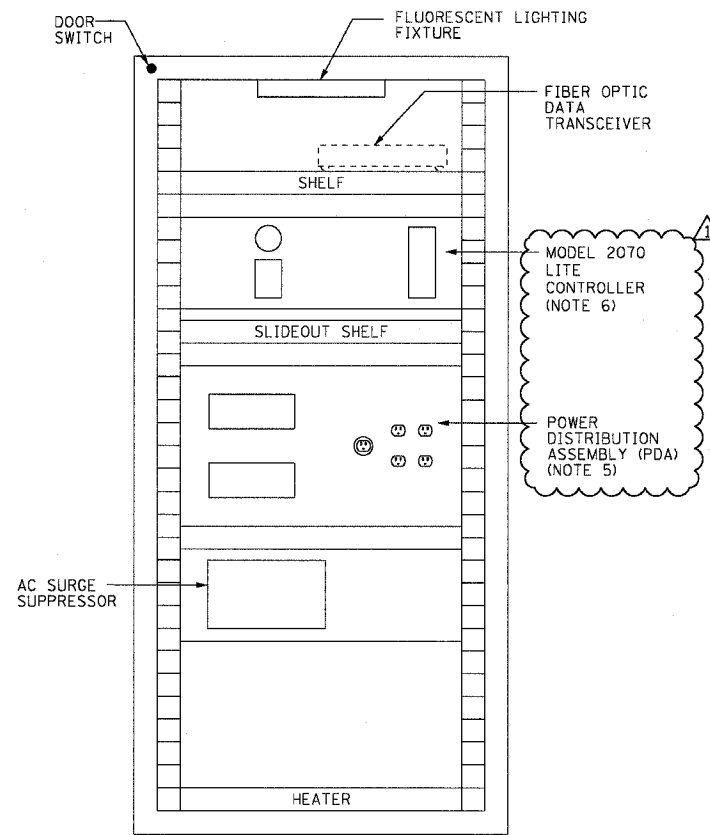
62583

**NOTES:**

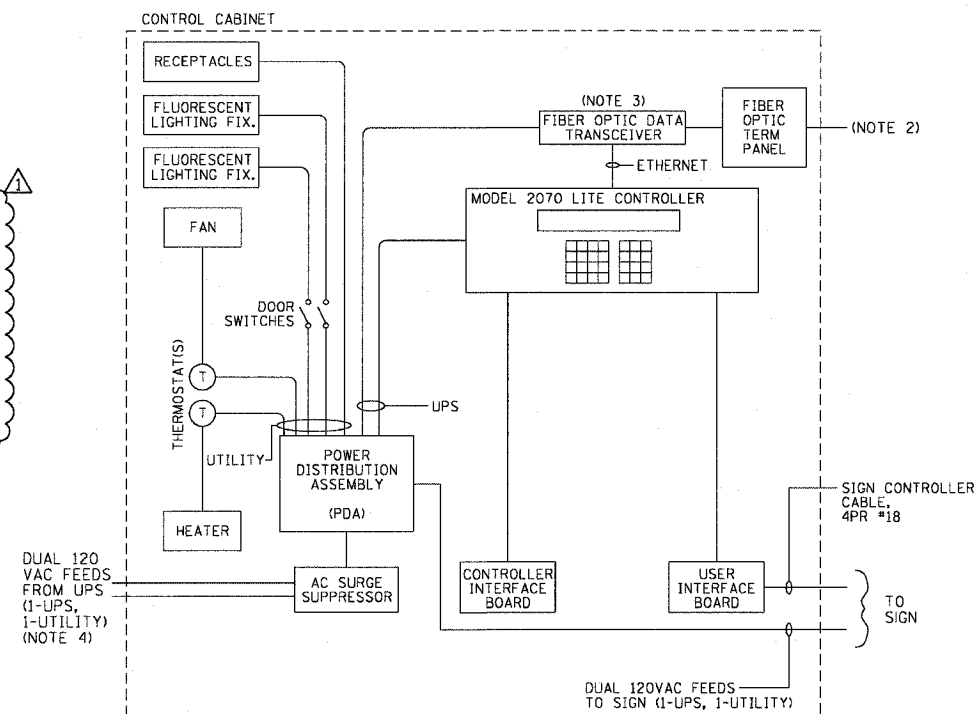
- SEE DRAWINGS ME-01 AND ME-02 FOR ELECTRICAL SYMBOLS AND ABBREVIATIONS.
- FIBER OPTIC CABLE AND TERMINATIONS AS SHOWN ON COMM PLANS AND DETAIL SHEETS.
- A DEDICATED LEASED LINE CONNECTION AND MODEM WILL BE TEMPORARILY USED FOR SIGNS DMS-30, DMS-02, DMS-03E, DMS-03IE, DMS-32E, DMS-04E, AND DMS-08. TEMPORARY CONNECTIONS WILL REQUIRE FIBER OPTIC DATA TRANSCEIVERS ONCE THE COMMUNICATION NETWORK IS IN PLACE.
- SEE DRAWING DT-06 FOR CONNECTION TO UPS CABINET.
- PDA'S LOCATED IN CABINETS SERVING TWO SIGNS SHALL BE CONFIGURED TO ACCOMMODATE THE SECOND SIGN OR A SECOND PDA WILL BE REQUIRED. IN EITHER CASE NO ADDITIONAL COMPENSATION SHALL BE MADE.
- SIGN CONTROLLERS LOCATED IN CABINETS SERVING TWO SIGNS SHALL BE CONFIGURED TO CONTROL BOTH SIGNS FROM A SINGLE CONTROLLER.



**CONTROL CABINET LAYOUT  
FRONT VIEW (TYPICAL)**  
(MODEL 334)



**CONTROL CABINET LAYOUT  
BACK VIEW (TYPICAL)**  
(MODEL 334)



**CONTROL CABINET SINGLE  
LINE DIAGRAM (TYPICAL)**  
(MODEL 334)

REVISIONS	
NAME	DATE
REVISION	1/21/05
REVISION	2/11/05