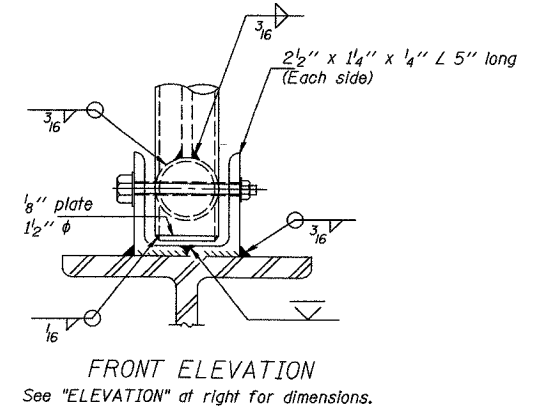
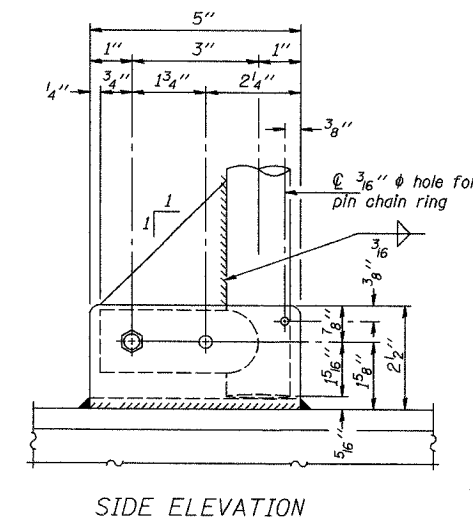
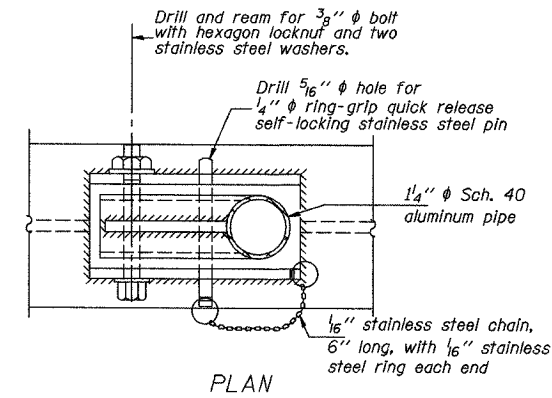
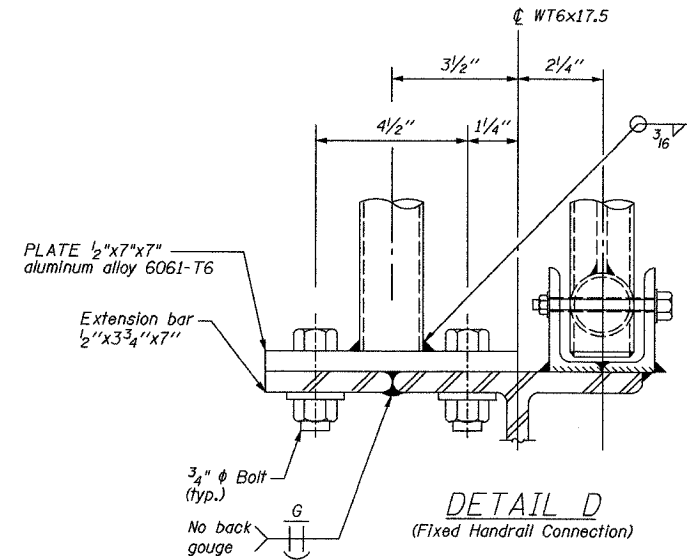
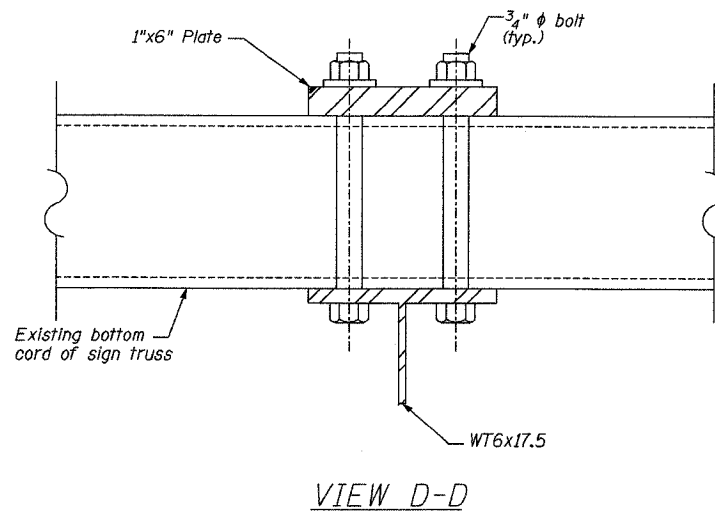
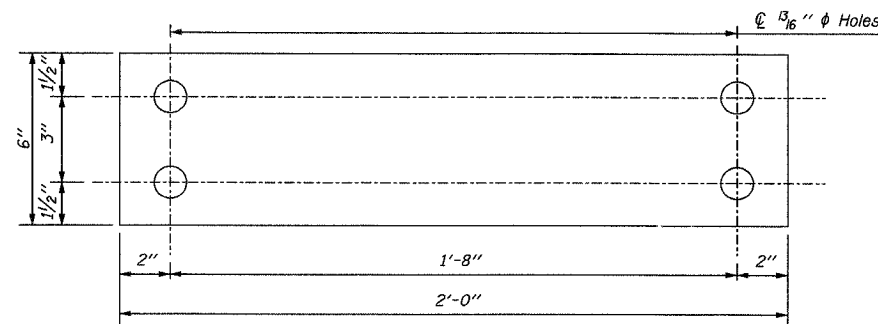


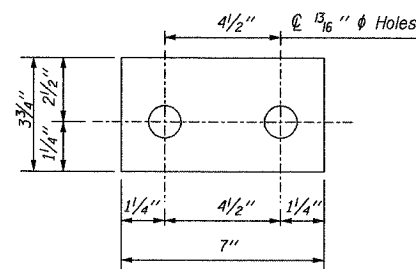
F.A.I. RTE.	SECTION	COUNTY	TOTAL SHEETS	SHEET NO.
94/90	2003-031I	COOK	976	105
STA.	TO STA.			
FED. ROAD DIST. NO.	ILLINOIS FED. AID PROJECT			
62583				



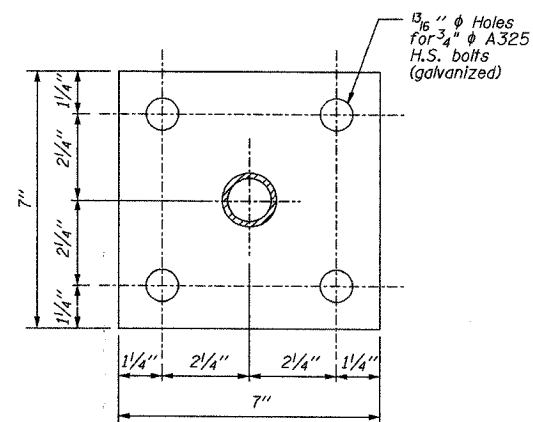
Extrusions may be used in lieu of the details shown, with approval of the Engineer.



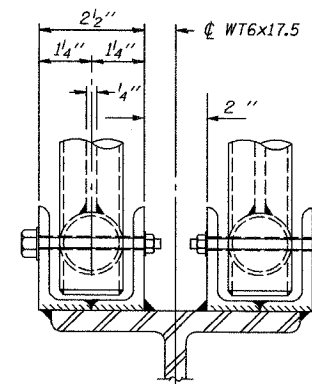
1" WALKWAY CONNECTION PLATE
(AT WT 6X17.5 & BOTTOM CHORD)



1/2" RAILING CONNECTION PLATE
(AT WT 6X17.5 & EDGE POST)



1/2" ALUMINUM BASE PLATE
(AT BOTTOM OF RAILING POST)



ELEVATION
(At Handrail Joint)

DETAIL C

DT-10

Edwards AND Kelcey
ONE NORTH FRANKLIN
CHICAGO, IL 60606
PHONE: (312) 251-3000
FAX: (312) 251-3015
WEB: WWW.EKCORP.COM

REVISIONS	
NAME	DATE

ILLINOIS DEPARTMENT OF TRANSPORTATION
F.A.I. 94/90 (DAN RYAN EXPRESSWAY)
31st STREET to I-57
OVERHEAD DYNAMIC MESSAGE SIGN (DMS-08)
CONNECTION DETAILS
SCALE: NONE
DATE: October 29, 2004
DRAWN BY: RLK
CHECKED BY: JAP

10/15/2004 10:33:42 AM