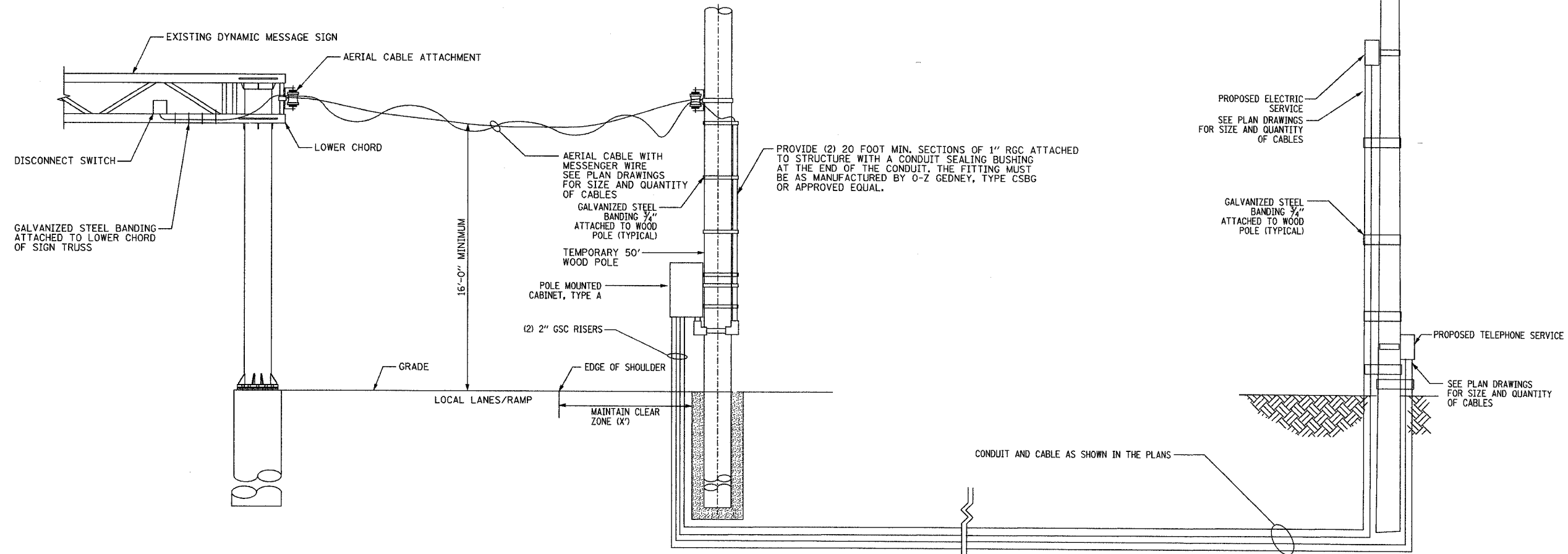


SECTION	COUNTY	TOTAL SHEETS	SHEET NO.
2003-0311	COOK	976	907
STA.	TO STA.		
FED. ROAD DIST. NO.	ILLINOIS	FED. AID PROJECT	
62583			

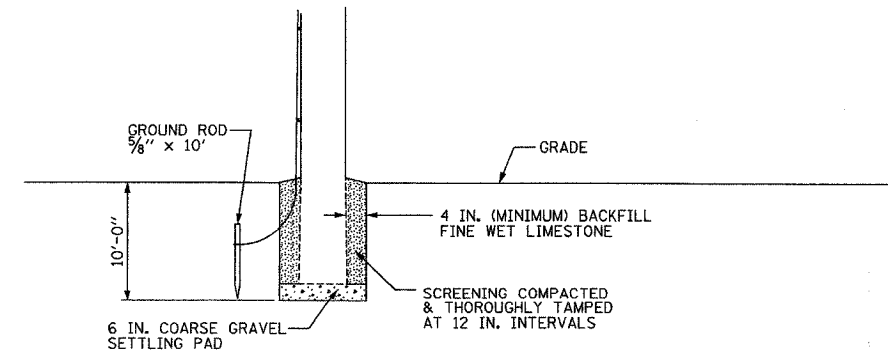
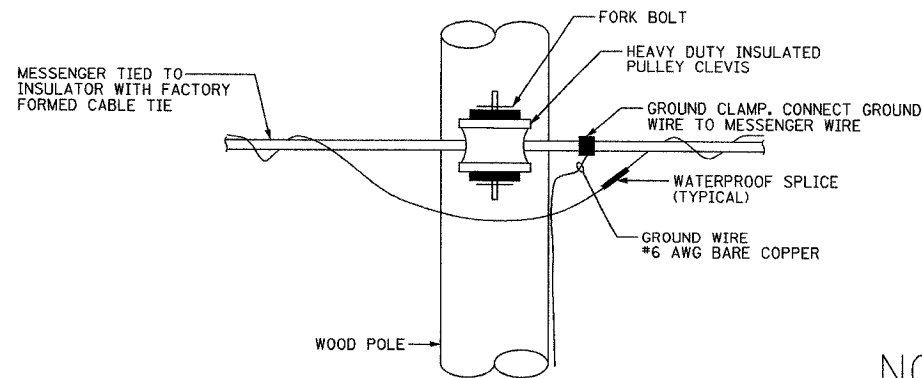
NOTES:

1. SEE DRAWINGS ME-01 AND ME-02 FOR ELECTRICAL SYMBOLS AND ABBREVIATIONS.
2. ALL WORK SHOWN WILL BE INCLUDED WITH THE COST OF THE AERIAL CABLE.
3. HEAVY DUTY INSULATED PULLEY CLEVIS AND CLAMPS MAY BE SUBSTITUTED WITH OTHER EQUIPMENT AND MOUNTING METHOD UPON APPROVAL FROM THE ENGINEER.
4. SEE PLAN DRAWINGS FOR CABLE SIZE AND QUANTITY OF CABLE.
5. MAINTAIN EXISTING DMS UNTIL NEW DMS LOCATED APPROX. X' NORTH OF EXISTING IS OPERATIONAL.

TEMPORARY CONNECTION TO SIGN STRUCTURE DETAIL



**TEMPORARY WOOD POLE
AERIAL CABLE ATTACHMENT DETAIL**



FOUNDATION DETAIL

**Edwards
AND Kelcey**
ONE NORTH FRANKLIN
CHICAGO, IL 60606
PHONE: (312) 251-3000
FAX: (312) 251-3015
WEB: WWW.EKCORP.COM

NOT TO SCALE

REVISIONS	
NAME	DATE

ILLINOIS DEPARTMENT OF TRANSPORTATION
F.A.I. 94/90 (DAN RYAN EXPRESSWAY)
31st STREET to I-57
TEMPORARY POWER FEED TO
DYNAMIC MESSAGE SIGN DETAIL
(37TH STREET)

SCALE: NOT TO SCALE
DATE: October 29, 2004

DRAWN BY: CJH
CHECKED BY: DH

DT-12
10/15/2004 03:37:42 PM