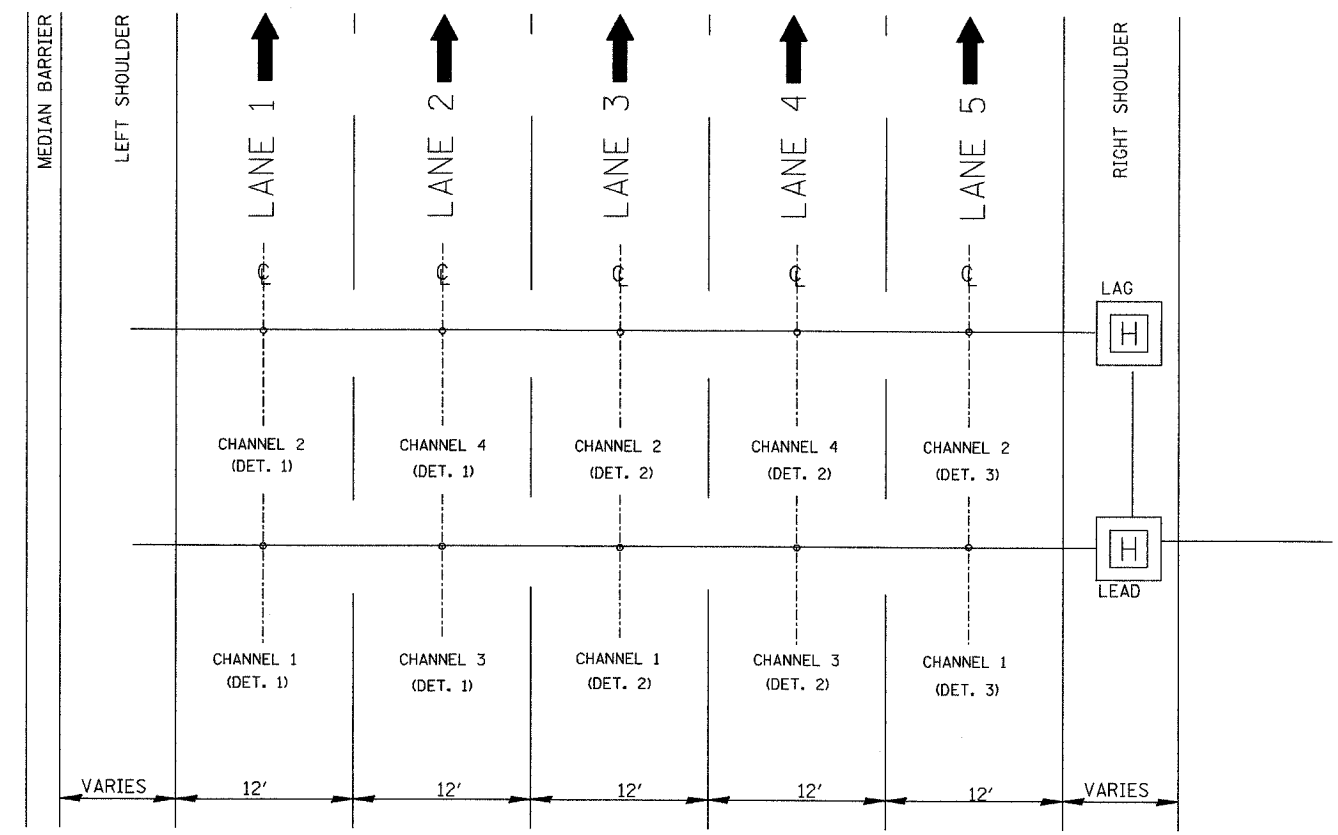
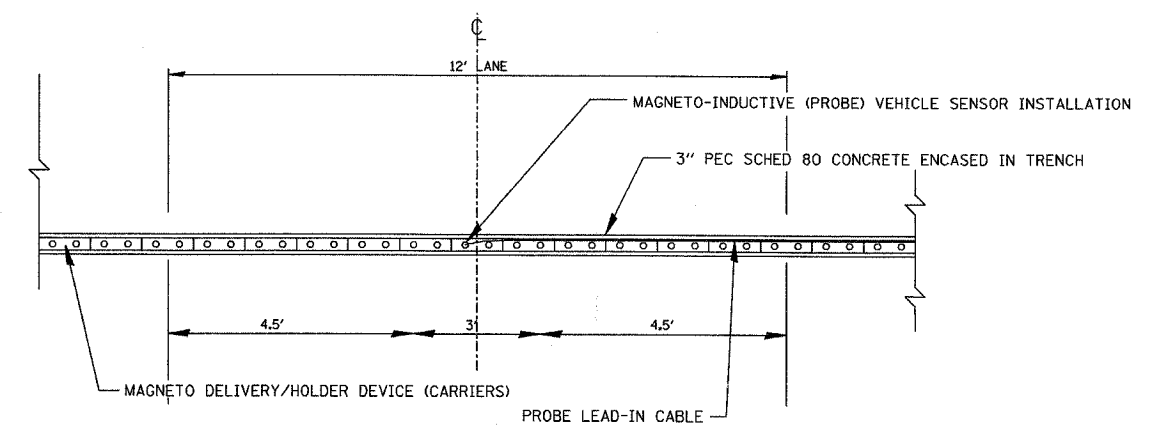


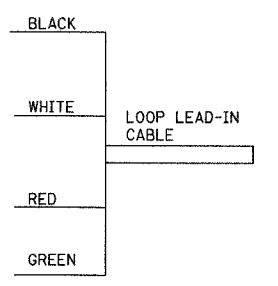
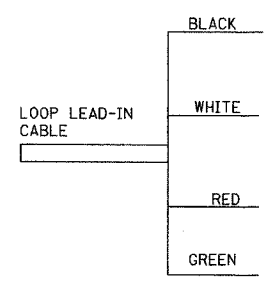
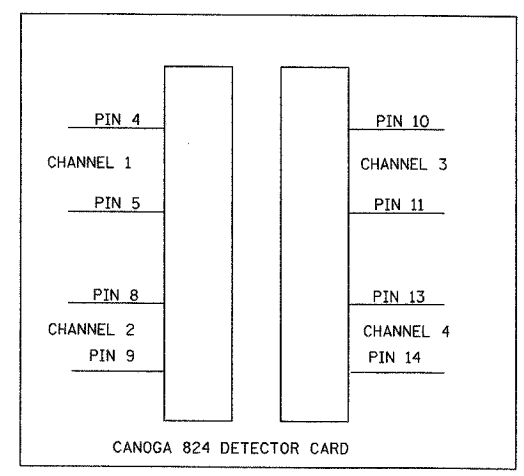
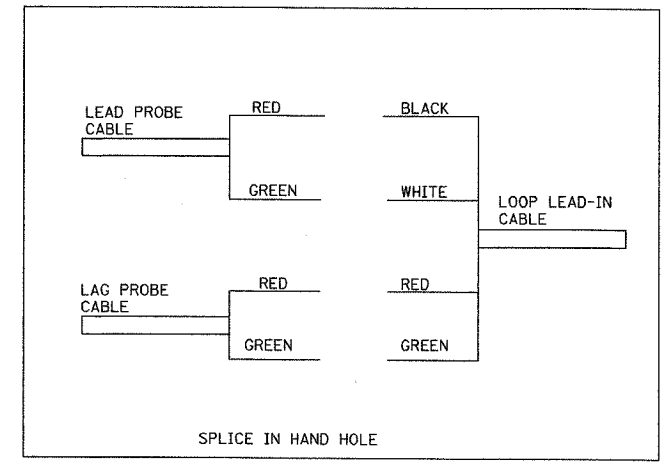
| | | | |
|------------------------------|--------|------------------|-----------|
| SECTION | COUNTY | TOTAL SHEETS | SHEET NO. |
| 2003-03II | COOK | 976 | 430 |
| STA. 62583 | | TO STA. | |
| FED. ROAD DIST. NO. ILLINOIS | | FED. AID PROJECT | |



SAMPLE PROBE CONFIGURATION



DAN RYAN TYPICAL SPEED MEASURING DETECTOR STATION
12' WITH DUAL MAGNETO-INDUCTIVE VEHICLE SENSOR (PROBE) INSTALLATION PER LANE



Edwards AND Kelcey
 ONE NORTH FRANKLIN
 CHICAGO, IL 60606
 PHONE: (312) 251-3000
 FAX: (312) 251-3015
 WEB: WWW.EKCORP.COM

| REVISIONS | |
|-----------|------|
| NAME | DATE |
| | |
| | |
| | |
| | |
| | |
| | |
| | |
| | |
| | |
| | |

ILLINOIS DEPARTMENT OF TRANSPORTATION
 F.A.I. 94/90 (DAN RYAN EXPRESSWAY)
 31st STREET to I-57
 TYPICAL MULTIPLE MAGNETO-INDUCTIVE
 VEHICLE SENSOR (MICROLOOP) - FULL
 INSTALLATION/SPEED MEASURING LAYOUT
 (SHEET 2 OF 2)
 SCALE: NTS
 DATE: October 29, 2004
 DRAWN BY: NB
 CHECKED BY: CTC

10/14/2004 09:24:00 AM