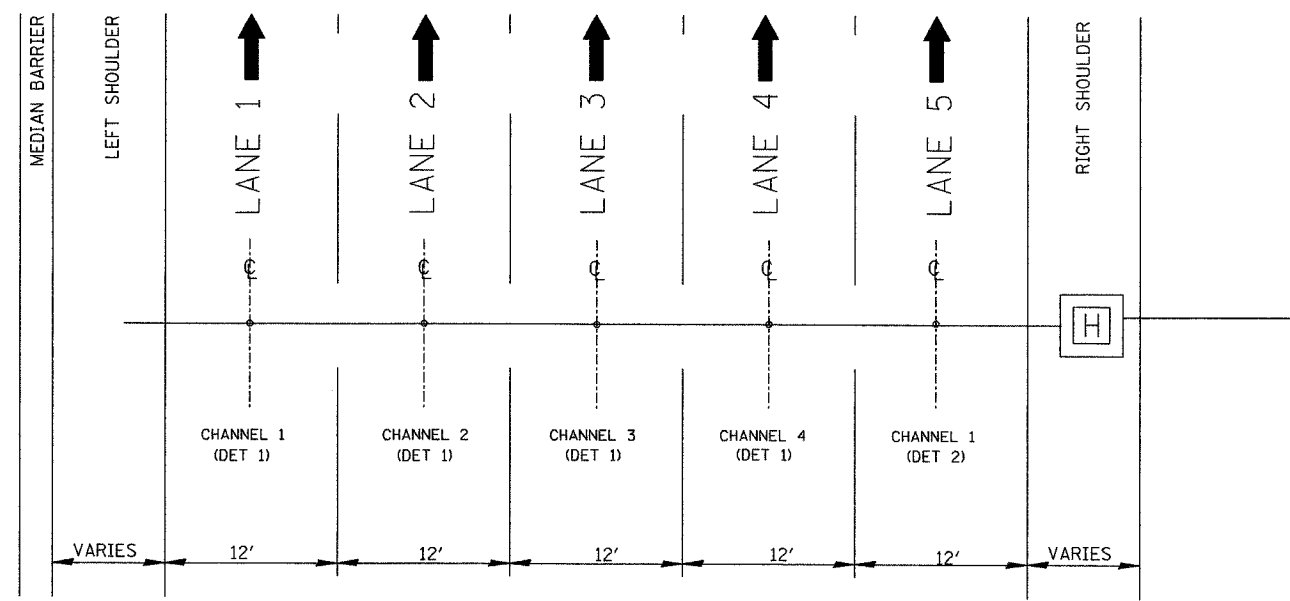
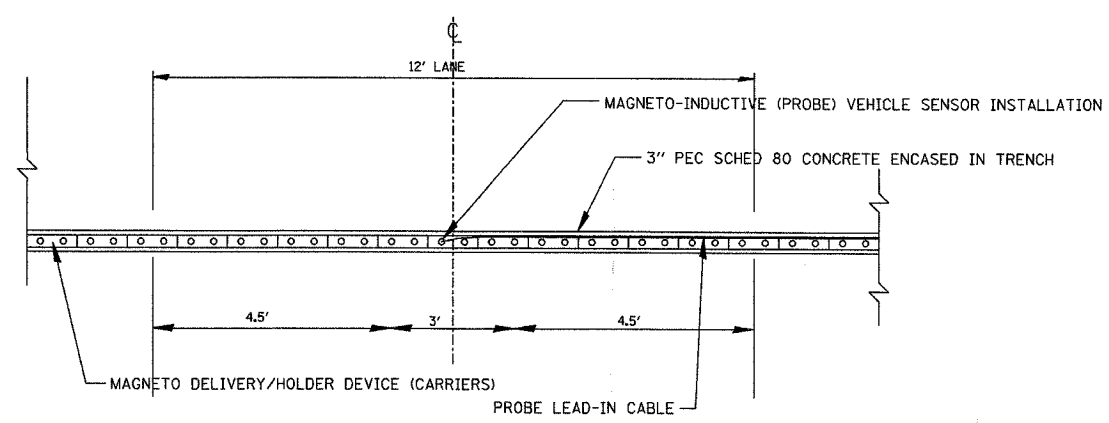
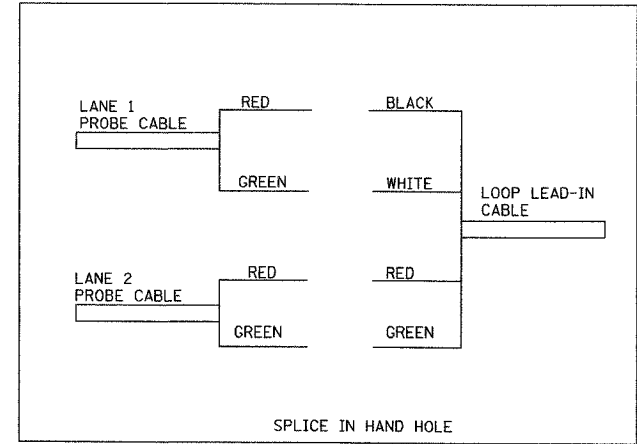


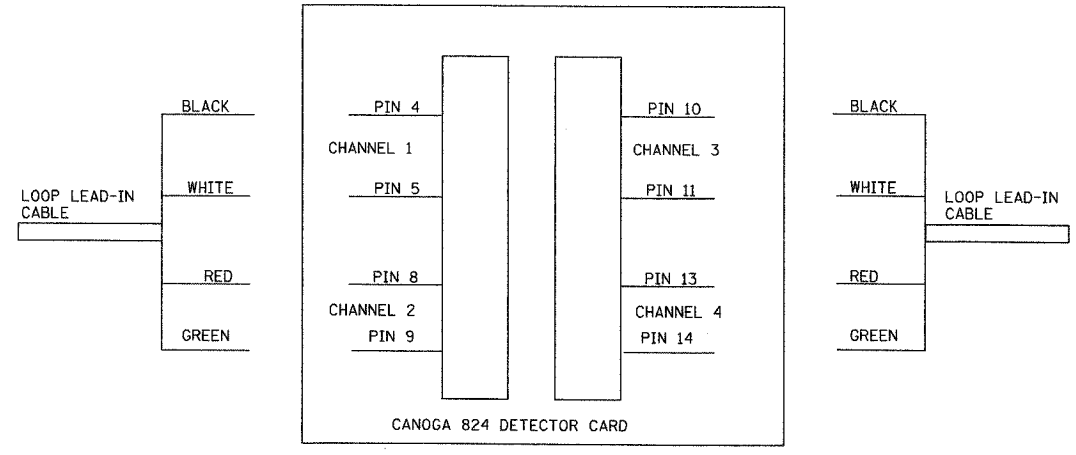
SECTION	COUNTY	TOTAL SHEETS	SHEET NO.
2003-031I	COOK	976	132
STA. 62583		TO STA.	
FED. ROAD DIST. NO. ILLINOIS FED. AID PROJECT			



SAMPLE PROBE CONFIGURATION



DAN RYAN TYPICAL STAND ALONE DETECTOR STATION  
12' WITH SINGLE MAGNETO-INDUCTIVE VEHICLE SENSOR (PROBE) INSTALLATION PER LANE



**Edwards AND Kelcey**  
 ONE NORTH FRANKLIN  
 CHICAGO, IL 60606  
 PHONE: (312) 251-3000  
 FAX: (312) 251-3015  
 WEB: WWW.EKCORP.COM

REVISIONS	
NAME	DATE

ILLINOIS DEPARTMENT OF TRANSPORTATION  
 F.A.I. 94/90 (DAN RYAN EXPRESSWAY)  
 31st STREET to I-57  
 TYPICAL MULTIPLE MAGNETO-INDUCTIVE  
 VEHICLE SENSOR (MICROLOOP) - MAINLINE,  
 MULTI LANE, STANDALONE DETECTOR STATION  
 (SHEET 2 OF 2)  
 SCALE: NTS  
 DATE: October 29, 2004  
 DRAWN BY: NB  
 CHECKED BY: CTC

10/14/2004 09:24:11 AM