

SECTION	COUNTY	TOTAL SHEETS	SHEET NO.
2003-031I	COOK	976	939
STA.	TO STA.		
FED. ROAD DIST. NO.	ILLINOIS	FED. AID PROJECT	
		62583	

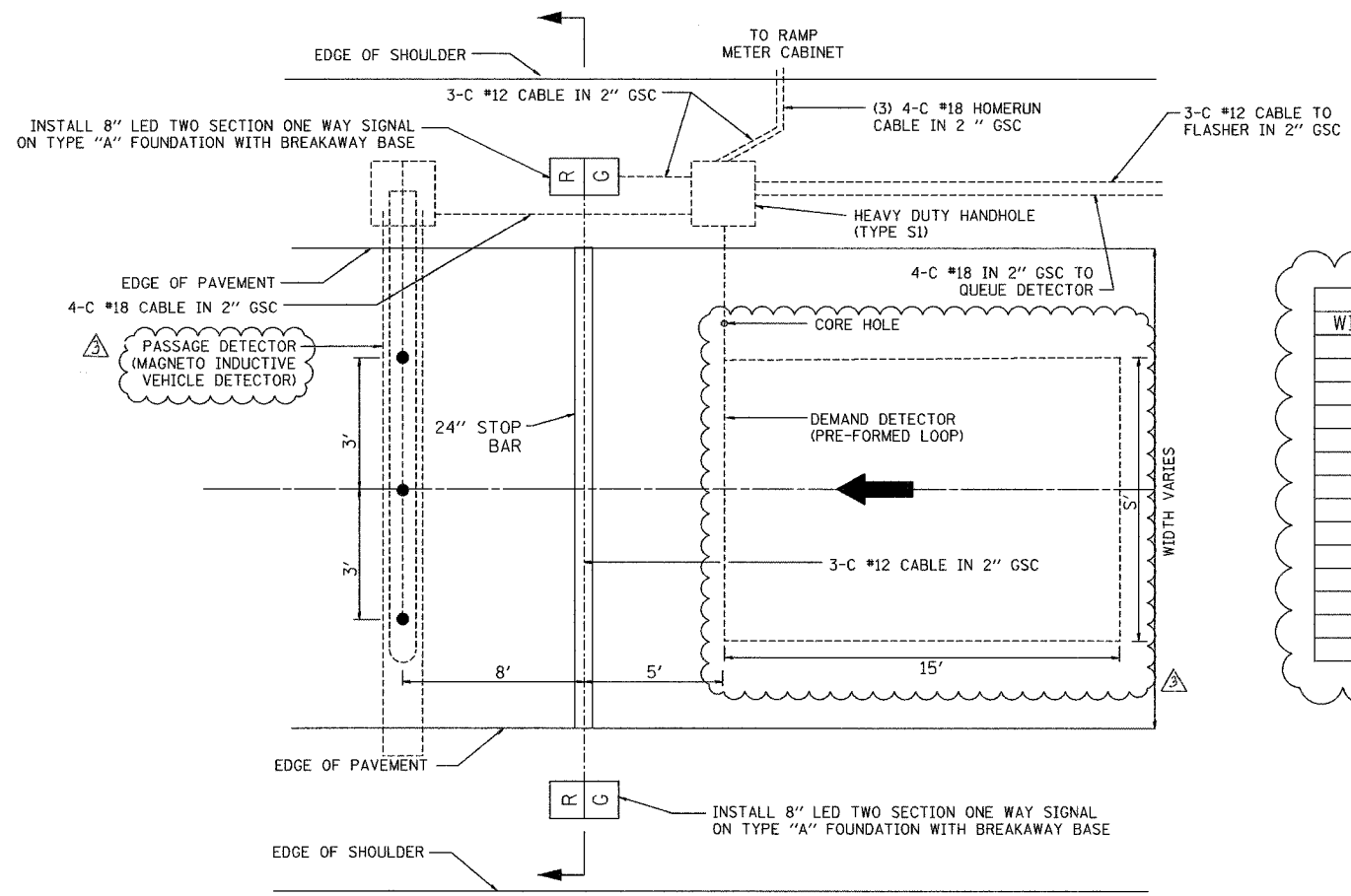
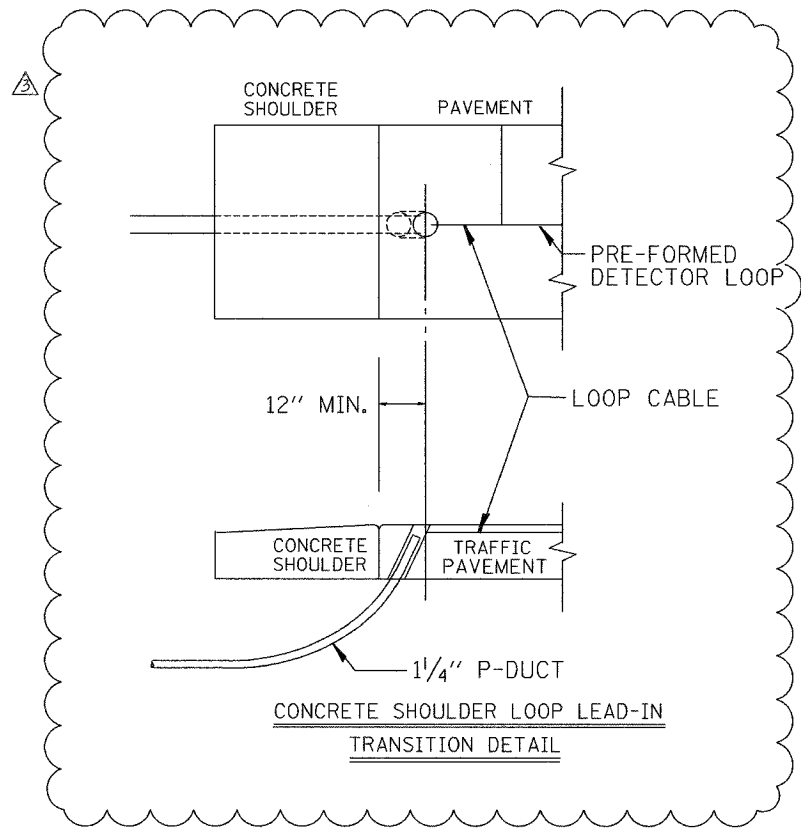
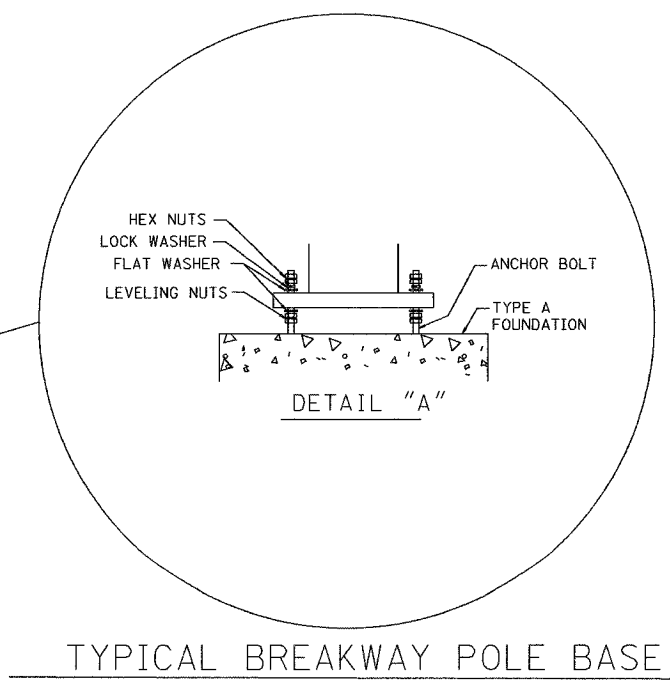
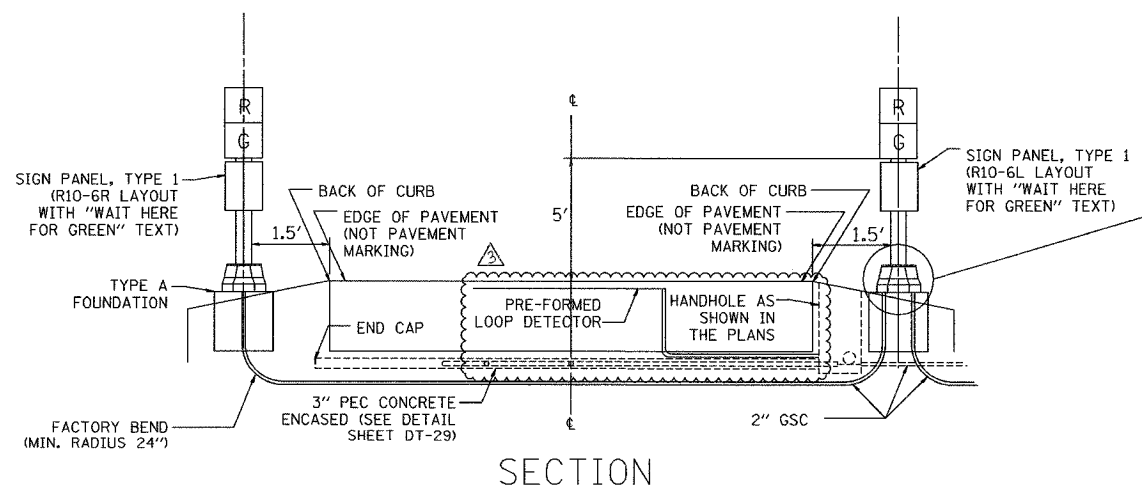


TABLE 1

WIDTH (W)	WIDTH (S)
12'	8'
13'	9'
14'	10'
15'	11'
16'	12'
17'	13'
18'	14'
19'	15'
20'	16'
21'	17'
22'	18'
23'	19'
24'	20'
25'	21'



TYPICAL SIGNAL AND LOOP LAYOUT (TYPE I)



TYPICAL BREAKWAY POLE BASE

Edwards AND Kelcey

ONE NORTH FRANKLIN
CHICAGO, IL 60606
PHONE: (312) 251-3000
FAX: (312) 251-3015
WEB: WWW.EKCORP.COM

REVISIONS	
NAME	DATE
REVISION	2/11/05

DT-33

ILLINOIS DEPARTMENT OF TRANSPORTATION
F.A.I. 94/90 (DAN RYAN EXPRESSWAY)
31st STREET TO I-57

TYPICAL RAMP METERING INSTALLATION
TYPE I (FOR RAMP WITHOUT CURBS
AND GUTTERS)

SCALE: NTS
DATE: October 29, 2004

DRAWN BY: NB
CHECKED BY: CTC

02/09/2005 09:45:00 AM