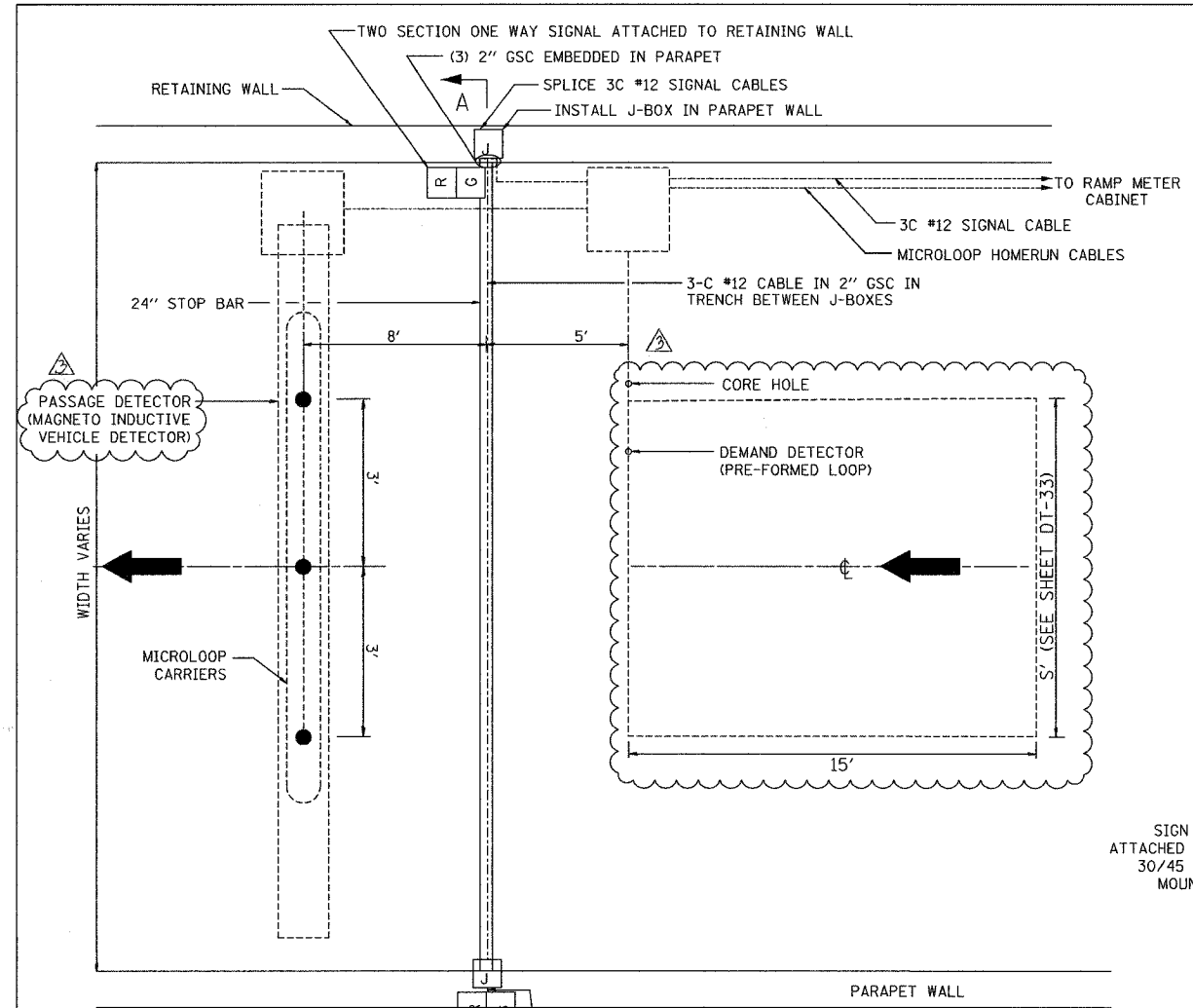
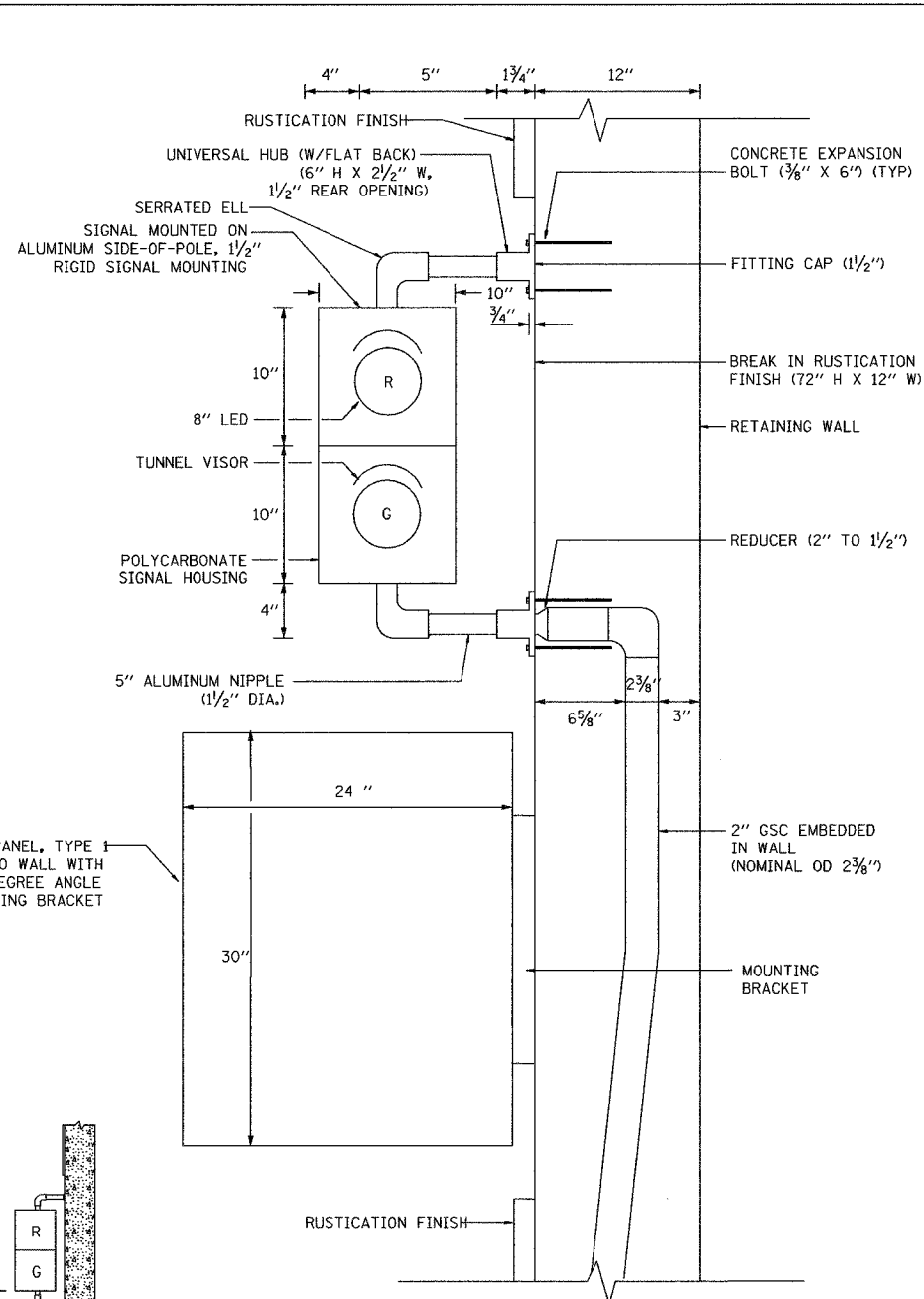


SECTION	COUNTY	TOTAL SHEETS	SHEET NO.
2003-0311	COOK	976	940
STA.	TO STA.		
FED. ROAD DIST. NO.	ILLINOIS	FED. AID PROJECT	
	62583		

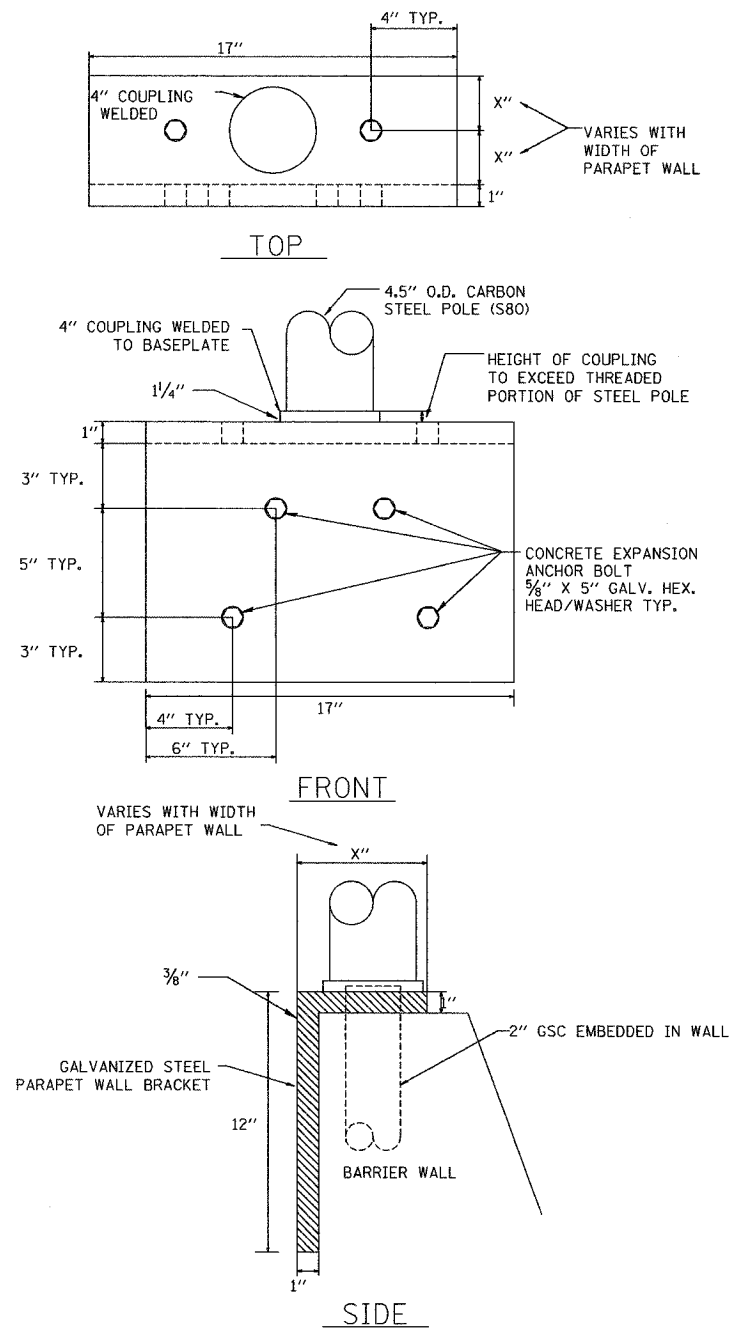


TYPICAL MICROLOOP LAYOUT

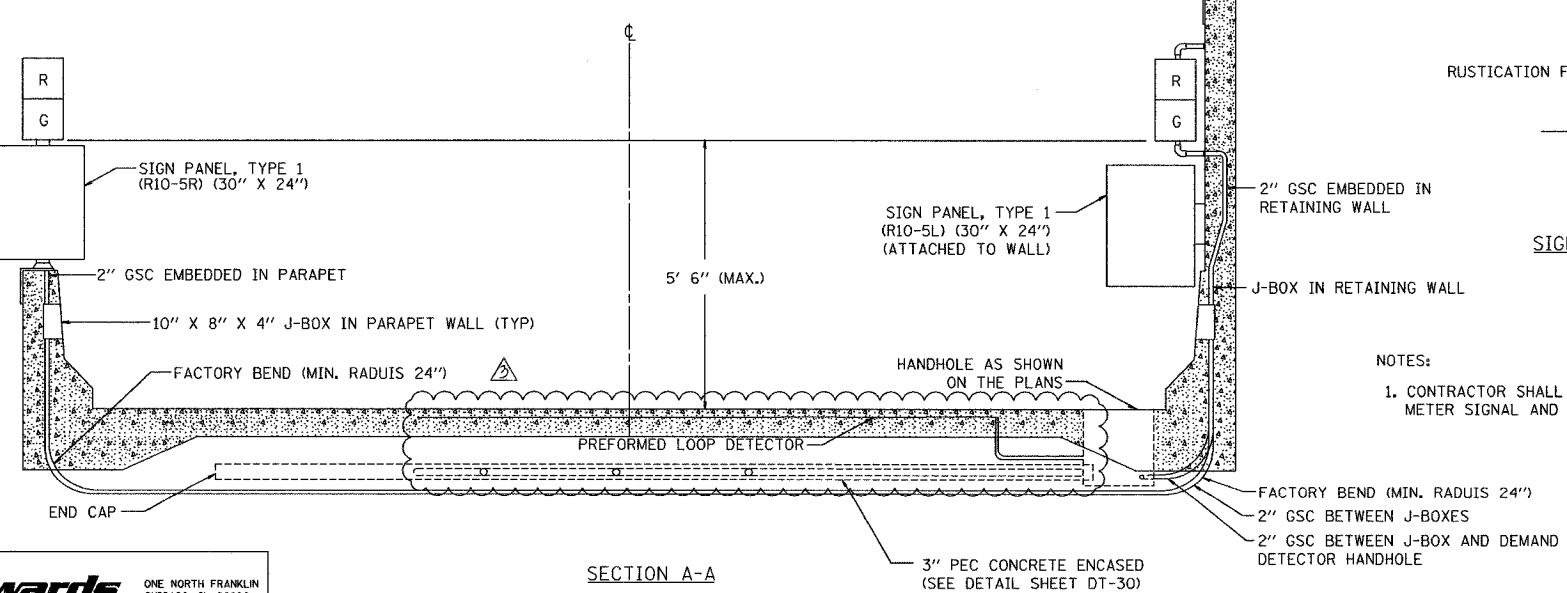


SIGNAL & SIGN ATTACHED TO RETAINING WALL

- NOTES:
 1. CONTRACTOR SHALL SUBMIT DETAILED SHOP DRAWINGS OF THE RAMP METER SIGNAL AND SIGN MOUNTING HARDWARE FOR APPROVAL BY THE ENGINEER.



SIGNAL MOUNTED ON PARAPET WALL



SECTION A-A

Edwards AND Kelcey
 ONE NORTH FRANKLIN
 CHICAGO, IL 60606
 PHONE: (312) 251-3000
 FAX: (312) 251-3015
 WEB: WWW.EKCORP.COM

REVISIONS			ILLINOIS DEPARTMENT OF TRANSPORTATION F.A.I. 94/90 (DAN RYAN EXPRESSWAY) 31st STREET TO I-57
NO.	NAME	DATE	
1	REVISION	2/11/05	TYPICAL RAMP METERING TYPE III BARRIER WALL AND RETAINING WALL INSTALLATION SCALE: NTS DATE: October 29, 2004 DRAWN BY: NB CHECKED BY: CTC

P:\030019\030135\10300135.dwg 10/20/04 10:52:31 AM 09/16/01 AM 02/09/2005