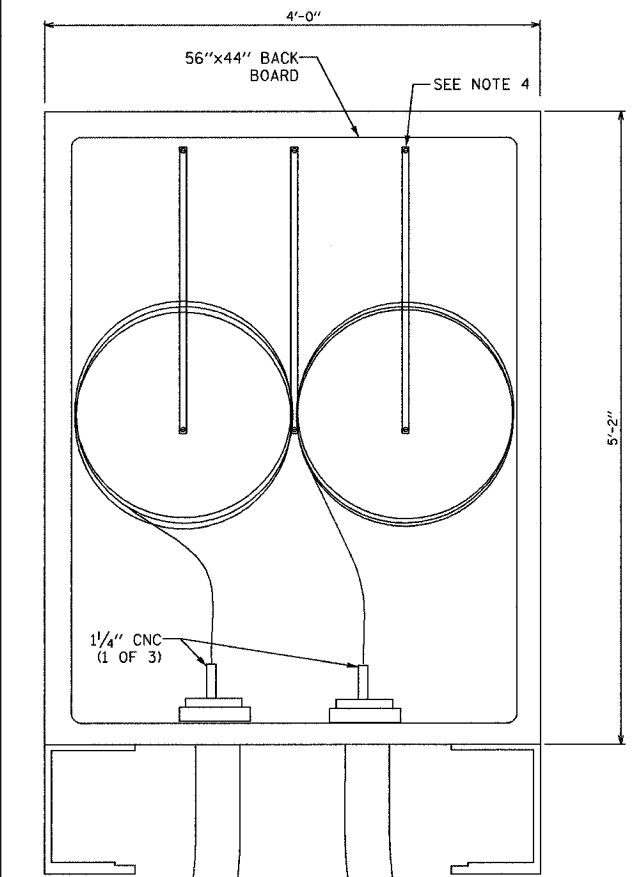


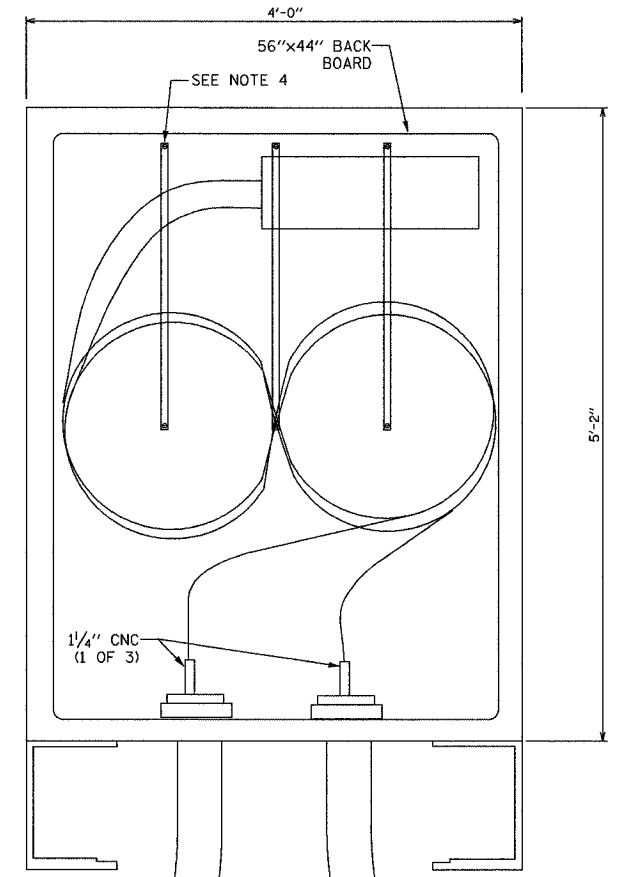
SECTION	COUNTY	TOTAL SHEETS	SHEET NO.
2003-0311	COOK	976	949
STA.	TO STA.		
FED. ROAD DIST. NO.	ILLINOIS FED. AID PROJECT		
62583			



STAINLESS STEEL TWO-DOOR TYPE 4X ENCLOSURE OR APPROVED EQUAL (62" X 48" X 12")

STAINLESS STEEL SLEEVE FACTORY BEND 4.5" OUTSIDE DIAMETER WITH 36" RADIUS

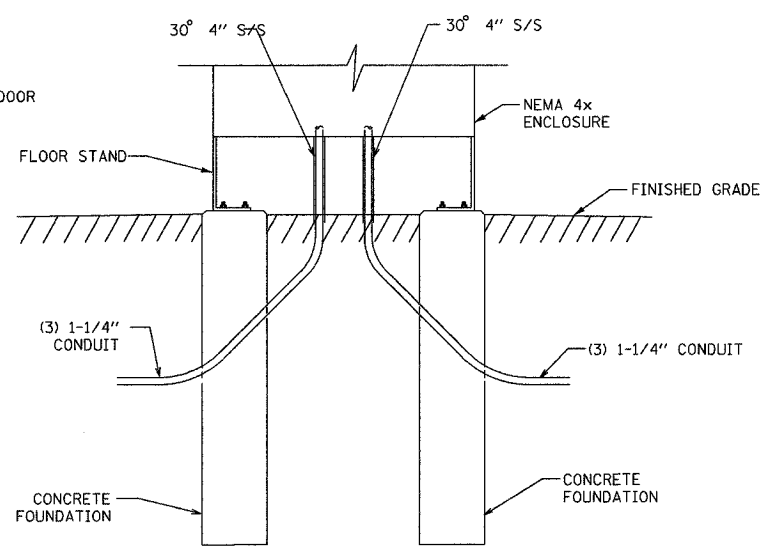
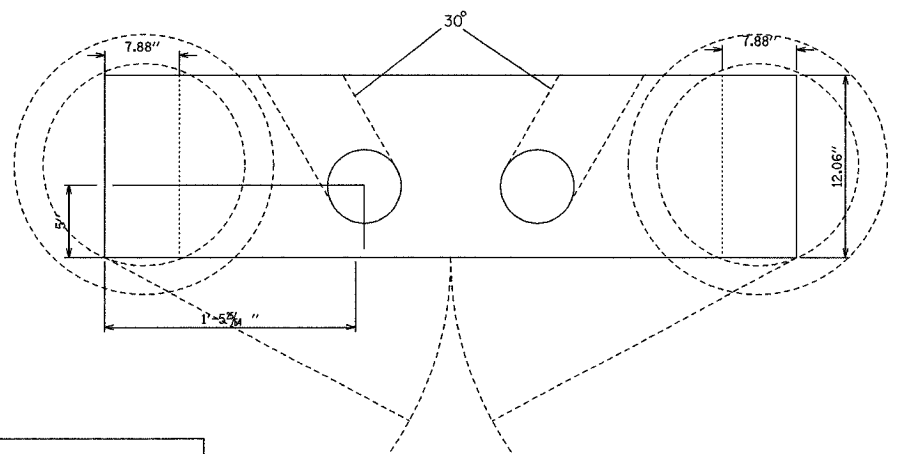
PULL POINT - NO SPLICE



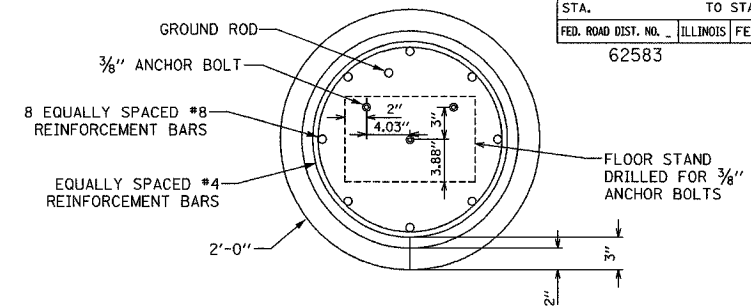
STAINLESS STEEL TWO-DOOR TYPE 4X ENCLOSURE OR APPROVED EQUAL (62" X 48" X 12")

STAINLESS STEEL SLEEVE FACTORY BEND 4.5" OUTSIDE DIAMETER WITH 36" RADIUS

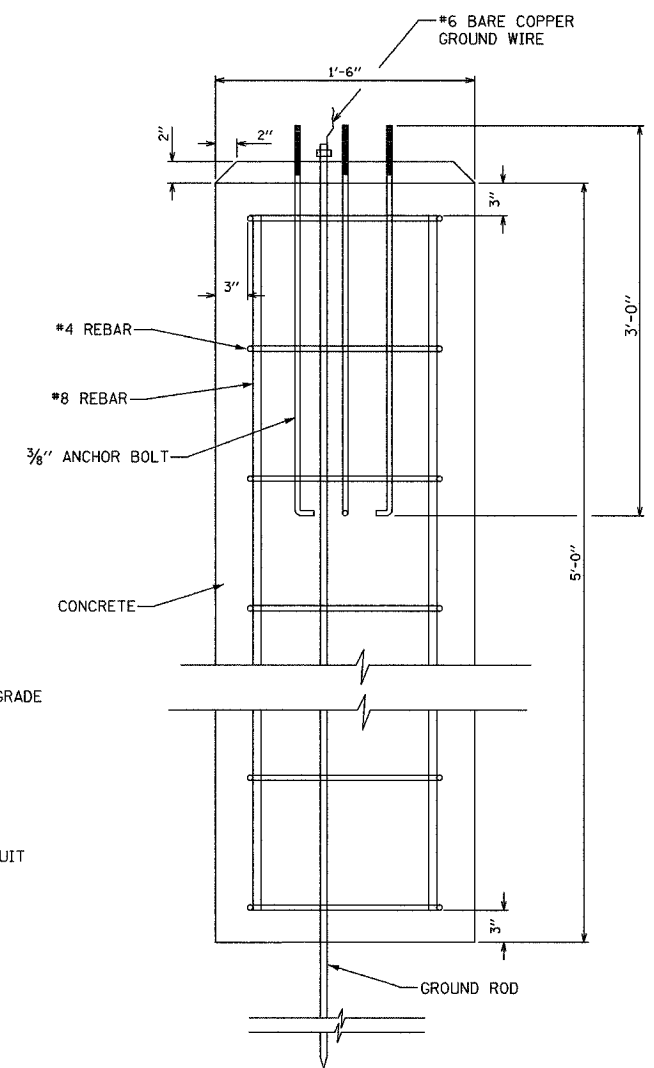
PULL POINT - WITH SPLICE



ELEVATION



PLAN PANEL FOUNDATION



ELEVATION PANEL FOUNDATION

- NOTES:
1. THREADED END OF ANCHOR BOLT GALVANIZED AT LEAST 6 INCHES.
 2. ALL METALLIC ELEMENTS SHALL BE GROUNDED IN ACCORDANCE WITH THE NATIONAL ELECTRICAL CODE (NEC) 2002, ARTICLE 250, GROUNDING.
 3. GROUND ROD SHALL BE PLACED IN ONE CONCRETE FOUNDATION ONLY.
 4. CONTRACTOR SHALL INSTALL STANDARD MANHOLE CABLE RACKS AND CABLE HOOKS TO HOLD CABLE IN CABINET, SECURE CABLES WITH TY-WRAPS.

REVISIONS	
NAME	DATE

ILLINOIS DEPARTMENT OF TRANSPORTATION
 F.A.I. 94/90 (DAN RYAN EXPRESSWAY)
 31st STREET to I-57

PULLING PEDESTAL
 DETAIL

SCALE: NOT TO SCALE
 DATE: October 29, 2004

DRAWN BY: DHI
 CHECKED BY: JEZ

Edwards AND Kelcey
 ONE NORTH FRANKLIN
 CHICAGO, IL 60606
 PHONE: (312) 251-3000
 FAX: (312) 251-3015
 WEB: WWW.EKCORP.COM

DT-42

11/23/2004 10:50:55 AM