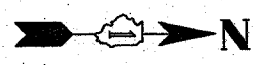


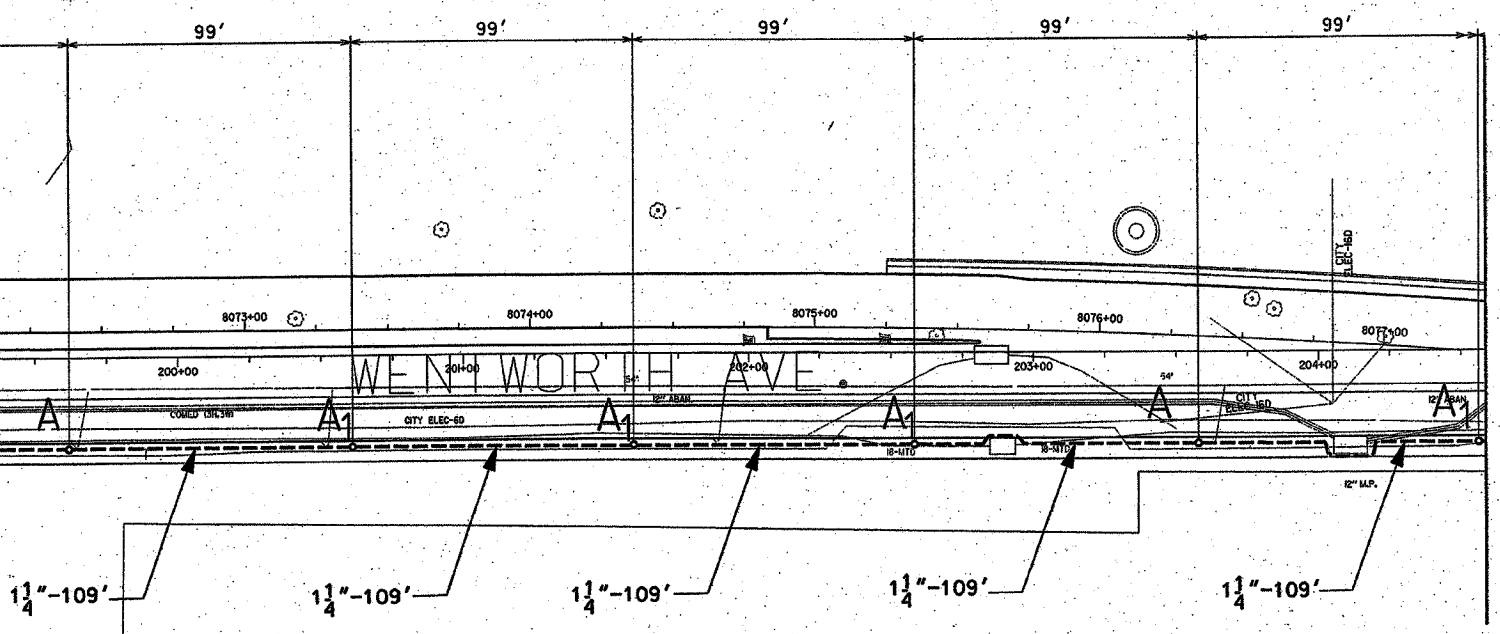
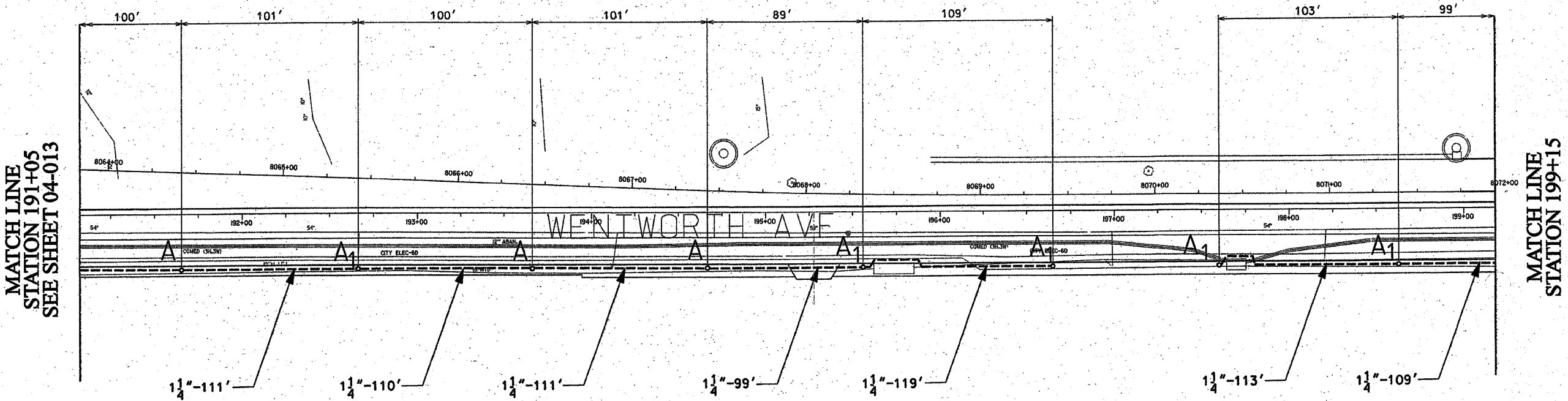
62807



F. A. RTE	SECTION	COUNTY	TOTAL SHEETS	SHEET NO.
90/94	•	COOK	37	25
STA. 191+00	TO STA. 204+00			
FED. ROAD DIST. NO. 1	ILLINOIS	FED AID PROJECTS		

\* 2004-068L

NOTE: CONTRACTOR IS TO CONTACT ALL UTILITY COMPANIES TO VERIFY EXACT LOCATION OF UNDERGROUND UTILITIES PRIOR TO START OF CONSTRUCTION WORK. MOVE FOUNDATIONS AND CONDUIT RUNS ACCORDINGLY.



NOTES: CONTRACTOR IS TO INSTALL UNDERGROUND CONDUIT AND PULL ROPE BETWEEN FOUNDATIONS AS WELL AS PERFORM THE FOLLOWING WORK ITEMS ACCORDING TO BUREAU OF ELECTRICITY SPECIFICATIONS:

"A" - INSTALL 20" x 5' FOUNDATION, 10" B.C., 1" ANCHOR RODS AS PER DRAWING NO. 565; FLUSH IN CONCRETE SIDEWALK, 2' OFF FACE OF CURB, UNLESS NOTED OTHERWISE.

"A1" - INSTALL 20" x 5' OFFSET FOUNDATION, 10" B.C., 1" ANCHOR RODS SIMILAR AS PER DRAWING NO. 937, 2' OFF FACE OF CURB, UNLESS NOTED OTHERWISE. BUILD FOUNDATION FLUSH WITH SIDEWALK.

"B" - INSTALL 30" HANDHOLE AS PER DRAWING NO. 867 WITH 24" FRAME AND COVER.

1 1/4" DIRECT BORED CONDUIT SCHEDULE #80 AS PER IDOT ARTICLE 810.03  
 CONCRETE FOUNDATION - 5' x 20", 10" B.C., 1" ANCHOR RODS  
 OFFSET CONCRETE FOUNDATION - 5' x 20", 10" B.C., 1" ANCHOR RODS

FOR INSTALLATION PLAN SEE SHEET 04-023  
 FOR REMOVAL PLAN SEE SHEET 04-029

MATCH LINE  
STATION 199+15  
SEE SHEET 04-015

MATCH LINE  
STATION 204+60  
SEE SHEET 04-015

CITY OF CHICAGO  
 DEPT. OF STREETS AND SANITATION  
 BUREAU OF ELECTRICITY  
 DIVISION OF ELECTRICAL ENGINEERING

DRAFTSMAN P. R. S. / B. T. G.	CHIEF DRAFTSMAN ROBERT CARTER	ENGINEER P. R. S. / B. T. G.
SUPERVISING ENGINEER	ELEC. DESIGN ENGR.	

ENGINEER OF ELECTRICITY: \_\_\_\_\_  
 GEN'L SUPT. OF ELECTRICITY: \_\_\_\_\_  
 DEPUTY COMMISSIONER: \_\_\_\_\_

DWG. NO. **04-014**

SIZE: 22" | 36" SCALE: 1"=30' DATE: 1/20/04

ILLINOIS DEPARTMENT OF TRANSPORTATION  
 F.A.I. 90/94 (DAN RYAN EXPRESSWAY)  
 59th St. TO 47th St. (FRONTAGE ROADS)

STREET LIGHTING  
 UNDERGROUND CONDUIT FACILITIES

SCALE: 1" = 30'  
 DATE: February 11, 2005  
 DRAWN BY: B.T.G.  
 CHECKED BY: O.L.

REVISIONS	
NAME	DATE