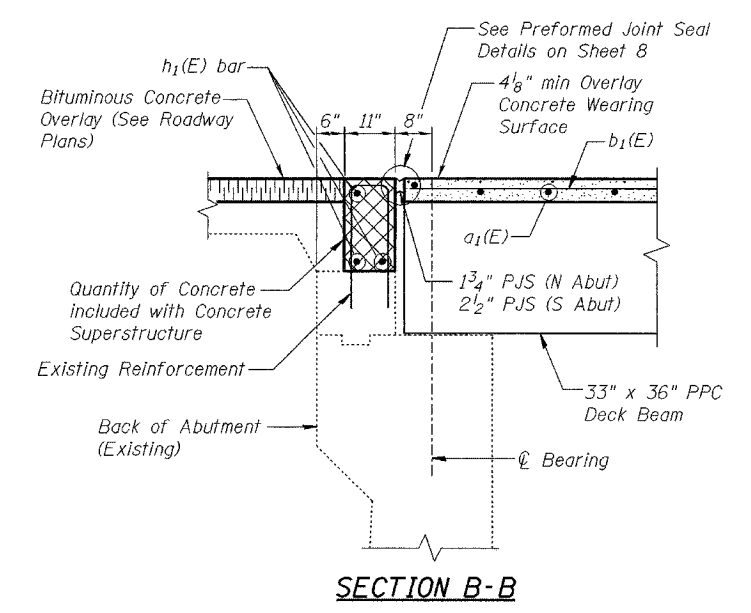
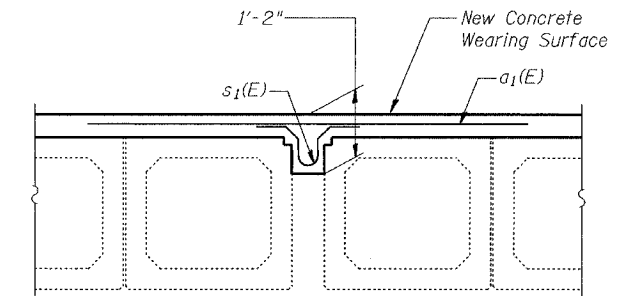
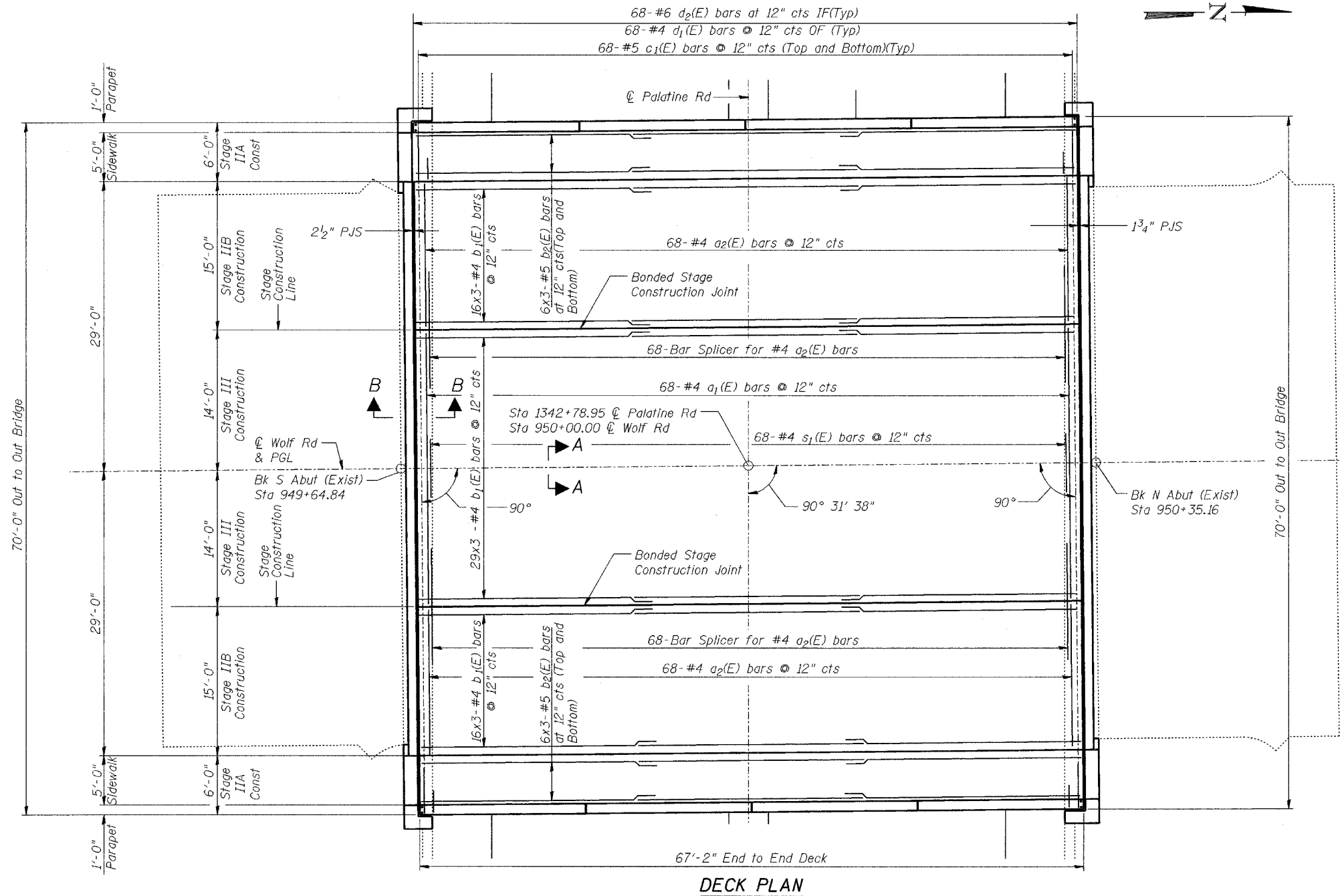


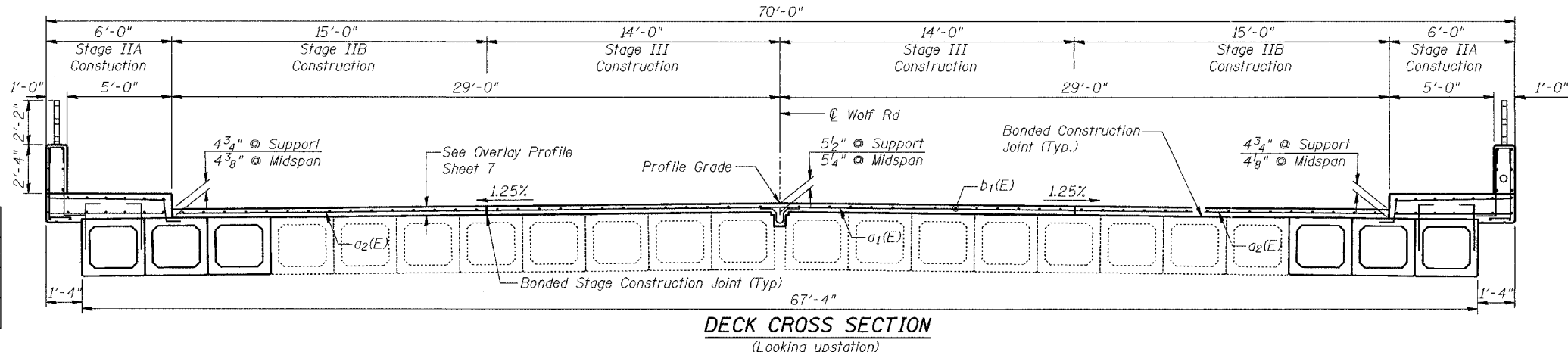
STATE OF ILLINOIS
DEPARTMENT OF TRANSPORTATION

ROUTE NO.	SECTION	COUNTY	TOTAL SHEETS	SHEET NO.	SHEET NO. 6 14 SHEETS
FAP 305	*	Cook	72	64	
FED. ROAD DIST. NO. 7	ILLINOIS	FED. AID PROJECT	Contract No. 62853 *2004-108 BR		



- NOTES**
- Bars indicated thus: 30x3 - #4 etc indicates 30 lines of bars with 3 lengths per line.
 - EF = Each Face, OF = Outer Face, IF = Inner Face
 - For Parapet Elevation, Sidewalk Details and Bill of Material See Sheet 7.
 - See Electrical Plans for proposed conduit.

LAP LENGTHS
#4 - 1'-8"
#5 - 2'-2"



DESIGNED	BPS
CHECKED	KFA
DRAWN	BPS
CHECKED	GSP

**DECK PLAN AND CROSS SECTION
WOLF RD. OVER PALATINE RD.
F.A.P. RTE. 305 SECT. 2004-108 BR
COOK COUNTY
STATION 950+00.00
STRUCTURE NO. 016-0680**