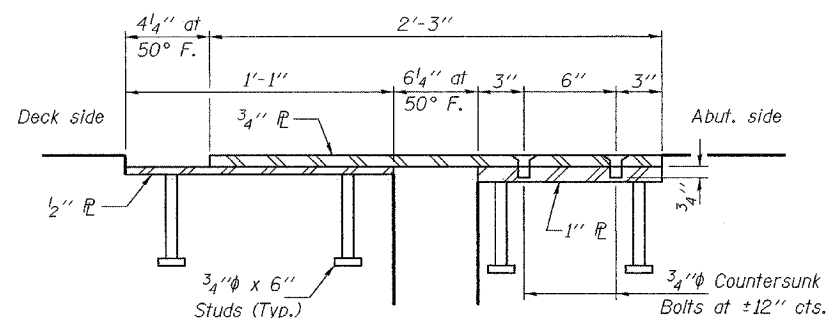
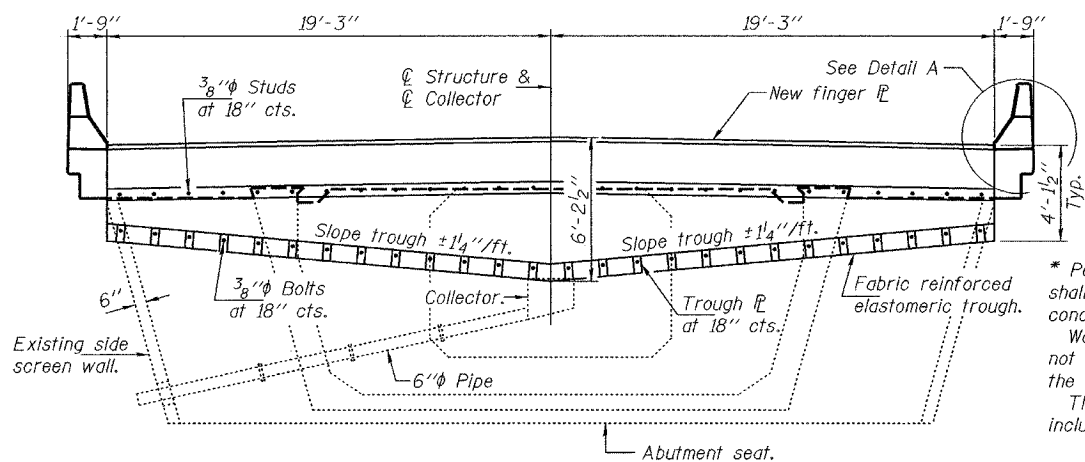


STATE OF ILLINOIS  
DEPARTMENT OF TRANSPORTATION

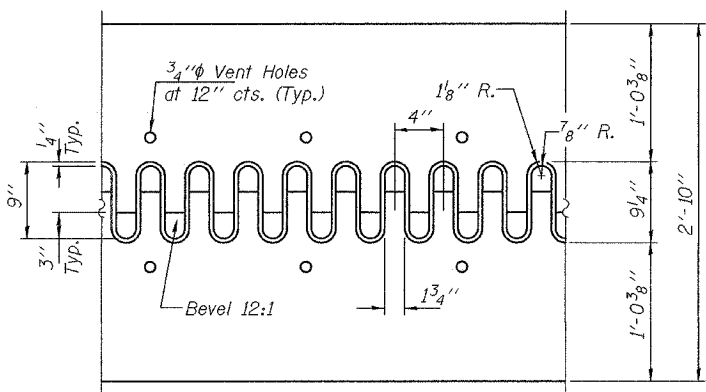
ROUTE NO.	SECTION	COUNTY	TOTAL SHEETS	SHEET NO.
1-39		WINNEBAGO	10	7
FED. ROAD DIST. NO. 7		ILLINOIS	FED. AID PROJECT	
CONTRACT NO. 64A86				



SECTION B-B

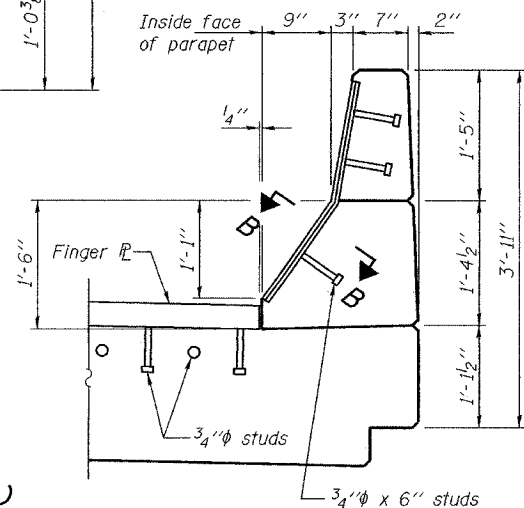


TYPICAL PROPOSED SECTION AT ABUTMENTS



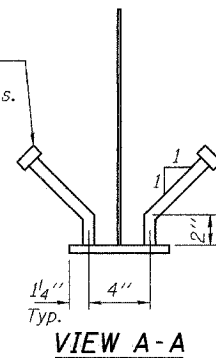
FLAME CUTTING DIAGRAM

Cut from  
P 2 3/8" x 2'-10" x 38'-5 1/2" (M270, Gr. 50)



DETAIL A

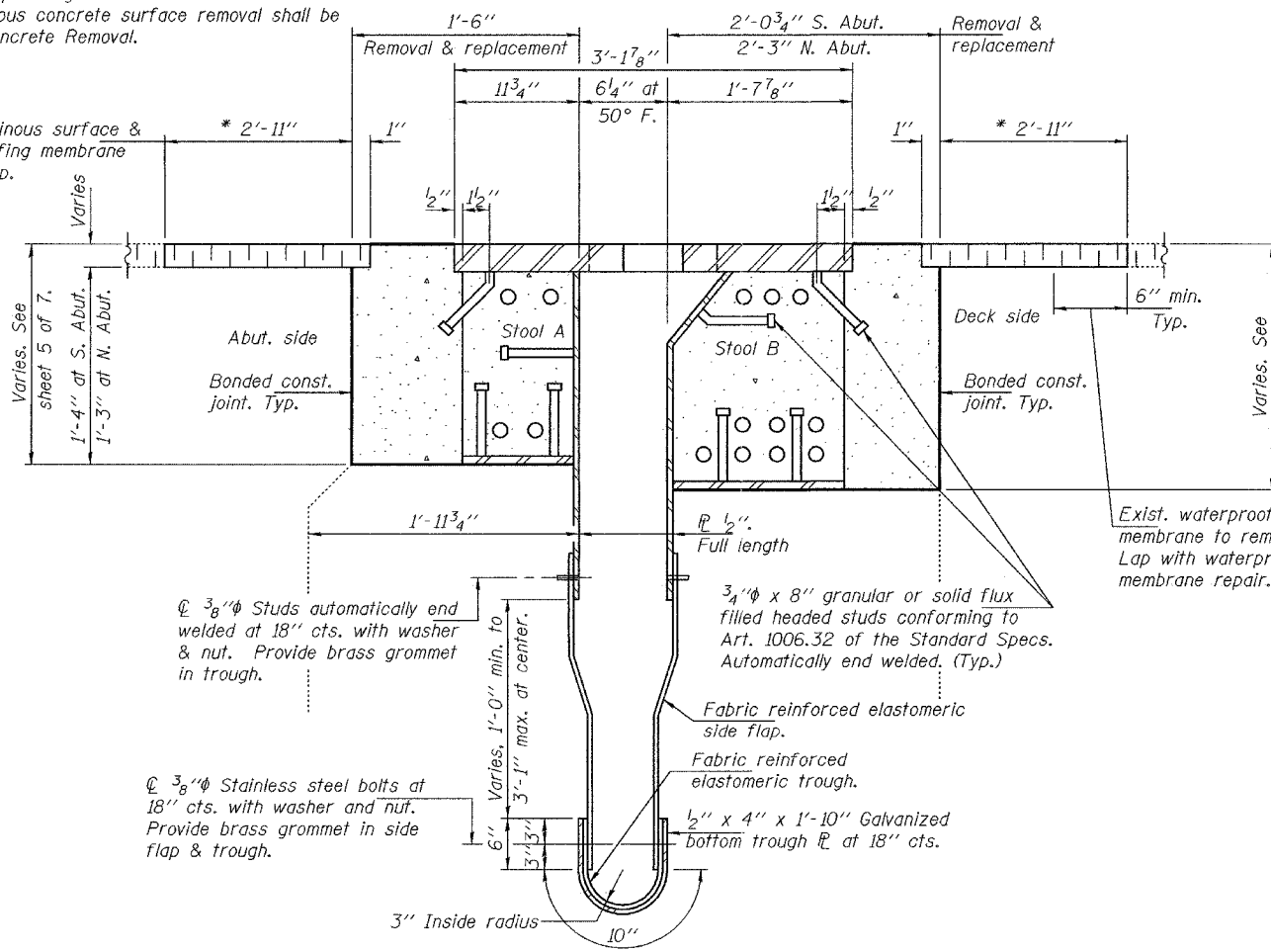
3/4" x 8" granular or solid flux filled headed studs conforming to Art. 1006.32 of the Standard Specs. Automatically end welded. (Typ.)



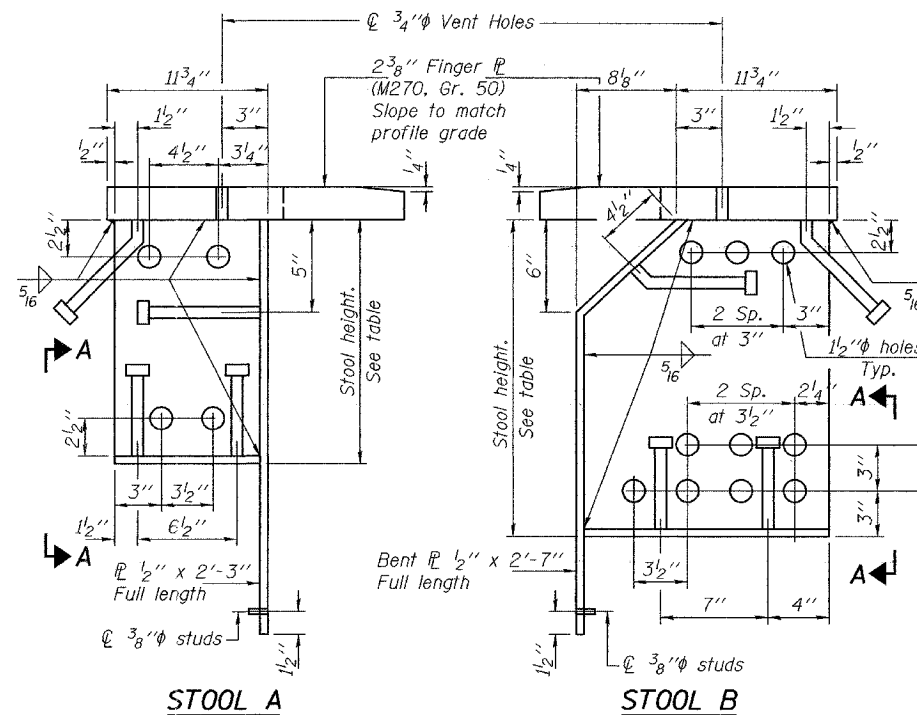
VIEW A-A

\* Perimeters of concrete & bituminous removal shall be saw cut 3/4" prior to the removal of the concrete.  
Waterproofing membrane system in this area shall not be damaged in order to provide a suitable lap for the new waterproofing membrane.  
The bituminous concrete surface removal shall be included in Concrete Removal.

New bituminous surface & waterproofing membrane repair. Typ.



SECTION AT EXP. JOINT



STOOL A

STOOL B

STOOL HEIGHTS

Stool No.	Stool A S. Abut.	Stool A N. Abut.	Stool B Typ. Ea. Abut.
1	15 1/8"	14 1/8"	20 1/8"
2	15 1/8"	14 1/8"	20 1/8"
3	15 1/8"	14 1/8"	21 1/8"
4	15 1/8"	14 1/8"	16 1/8"
5	15 3/8"	14 3/8"	20 3/8"
6	15 3/8"	14 3/8"	21"
7	15 3/8"	14 3/8"	21 3/8"
8	15 3/8"	14 3/8"	21 3/8"
9	15 3/8"	14 3/8"	22 1/8"
10	15 3/8"	14 3/8"	22 1/8"
11	16 1/8"	15 1/8"	22 1/8"
12	16 1/8"	15 1/8"	22 1/8"
13	16 1/8"	15 1/8"	22 1/8"
14	16 1/8"	15 1/8"	21 3/8"
15	16 1/8"	15 1/8"	21 3/8"
16	16 1/8"	15 1/8"	17 3/8"
17	16 1/8"	15 1/8"	23 3/8"
18	16 1/8"	15 1/8"	22 1/8"
19	16 1/8"	15 1/8"	22 1/8"
20	16 1/8"	15 1/8"	

Cut Stool A from W21x57.  
Cut Stool B from W27x84.

DESIGNED	DAB
CHECKED	PSJ
DRAWN	baliva
CHECKED	DAB PSJ

MARCH 7, 2005  
EXAMINED *John A. Morris*  
ENGINEER OF STRUCTURAL SERVICES  
PASSED *Ralph E. Anderson*  
ENGINEER OF BRIDGES AND STRUCTURES

BRIDGE REPAIRS  
I-39 OVER KISHWAUKEE RIVER  
WINNEBAGO COUNTY  
STA. 2425+00  
SN 101-0133(SB)