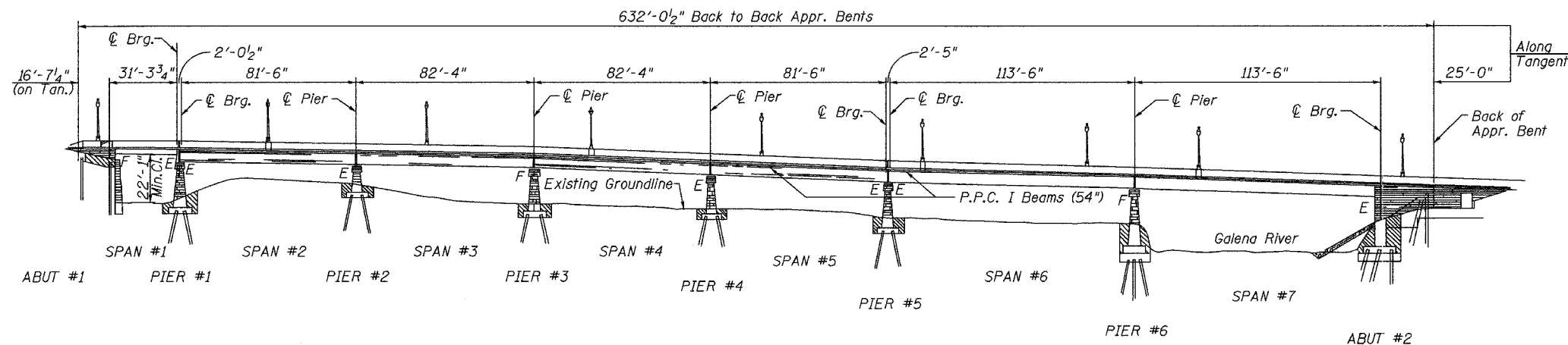


STATE OF ILLINOIS  
DEPARTMENT OF TRANSPORTATION

ROUTE NO.	SECTION	COUNTY	SHEETS	SHEET
	*	Jo Daviess	7	3
FED. ROAD DIST. NO. 7	ILLINOIS	FED. AID PROJECT		

\*(102VBR-M) CONTRACT #64A87



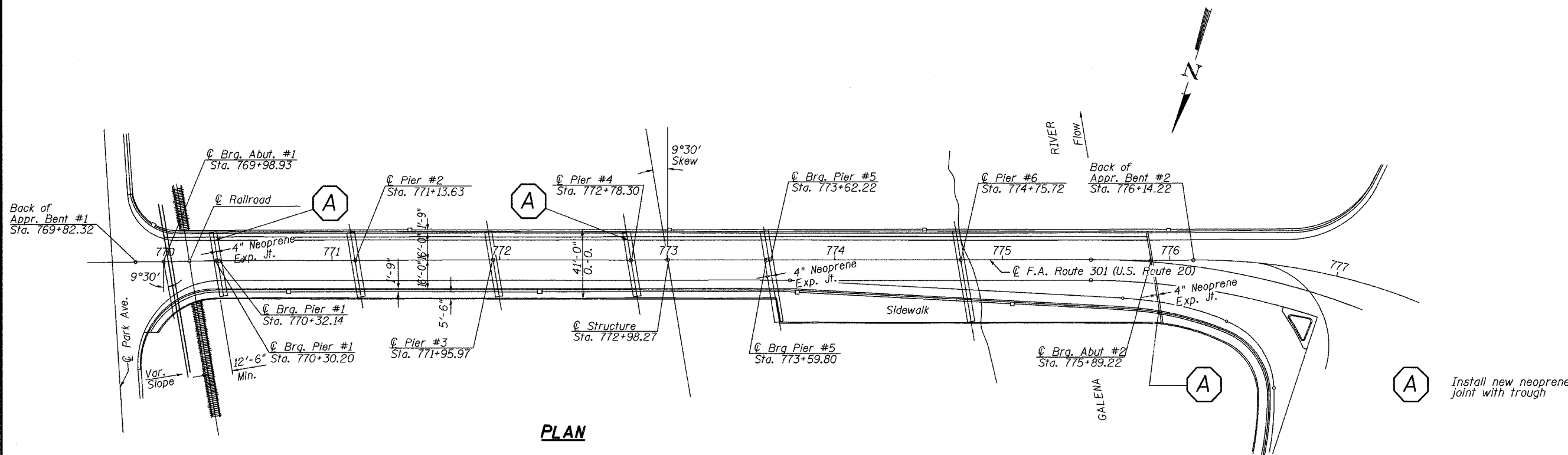
**ELEVATION**  
(Looking South)

**GENERAL NOTES**

Plan dimensions and details relative to existing structures have been taken from existing plans and are subject to nominal construction variations. It shall be the Contractor's responsibility to verify such dimensions and details in the field and make necessary approved adjustments prior to construction or ordering of materials. Such variations shall not be cause for additional compensation for a change in the scope of work. However, the Contractor will be paid for the quantity actually furnished at the unit price bid for the work.

The existing structural steel coating contains lead. The contractor should take appropriate precautions to deal with the presence of lead on this project.

The structure will retain the same numbers 043-0043.

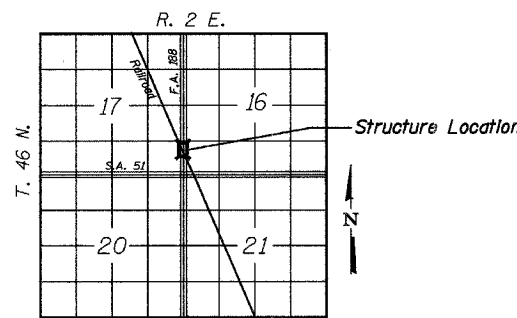


**PLAN**

**TOTAL - BILL OF MATERIAL**

ITEM	ITEM	UNIT	TOTAL
Neoprene Expansion Joint 4"		Foot	140
Railroad Protective Liability Insurance		L.Sum	1
Fabric Reinforced Elastomeric Trough		Foot	137
Silicone Joint Sealer		Foot	345
Polymer Modified Portland Cement Mortar		Cu. Ft.	55
Stone Removal		Cu. Ft.	47
Limestone Replacement		Sq. Ft.	284
Limestone Masonry Veneer		Sq. Ft.	60
Anchor Rods		Each	160

DESIGNED	SB, DP
CHECKED	SB
DRAWN	BH, BS
CHECKED	SB



**LOCATION MAP**



Scott Brown 03-01-05  
LICENSE EXPIRES 11-30-2006

GENERAL PLAN AND ELEVATION  
F.A.P. Route 301 (U.S. Route 20)  
SECTION 102VBR-M  
JO DAVIESS COUNTY  
SN 043-0043