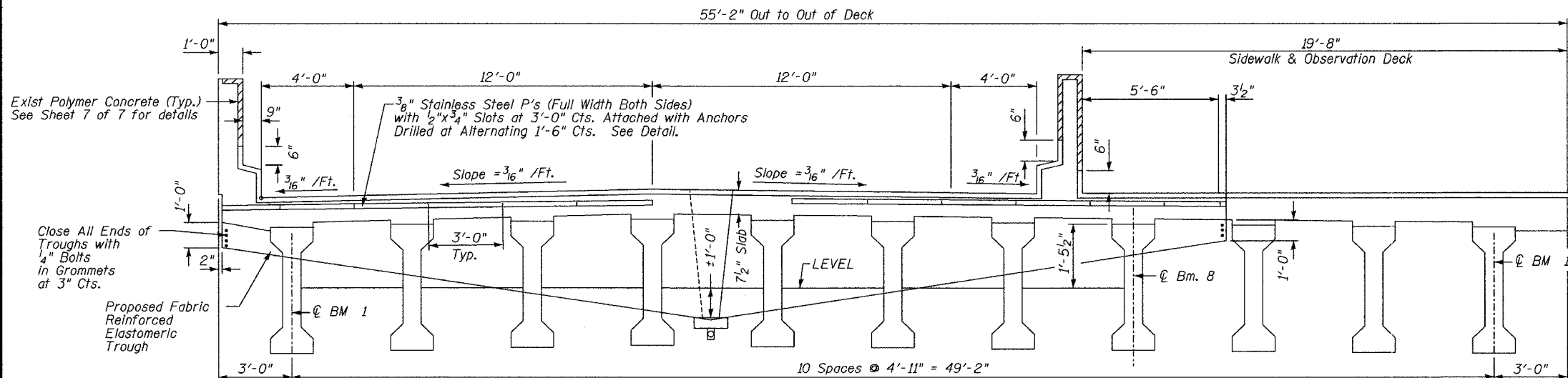


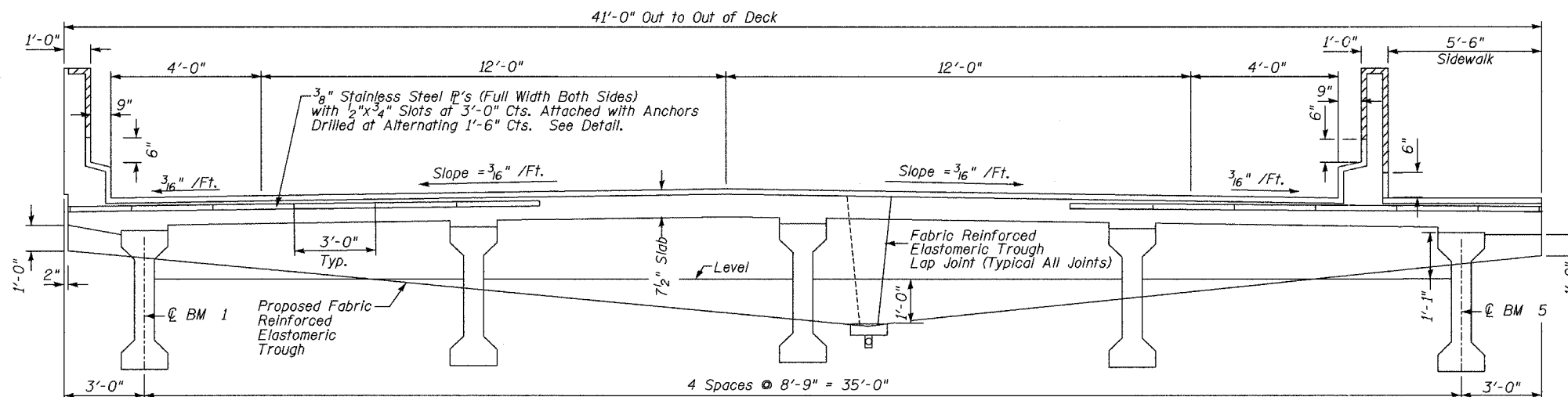
STATE OF ILLINOIS
DEPARTMENT OF TRANSPORTATION

ROUTE NO.	SECTION	COUNTY	TOTAL SHEETS	SHEET NO.
S.R.L.	*	Jo Daviess	7	5
F.A.L.				
FED. ROAD DIST. NO. 7	ILLINOIS	FED. AID PROJECT		

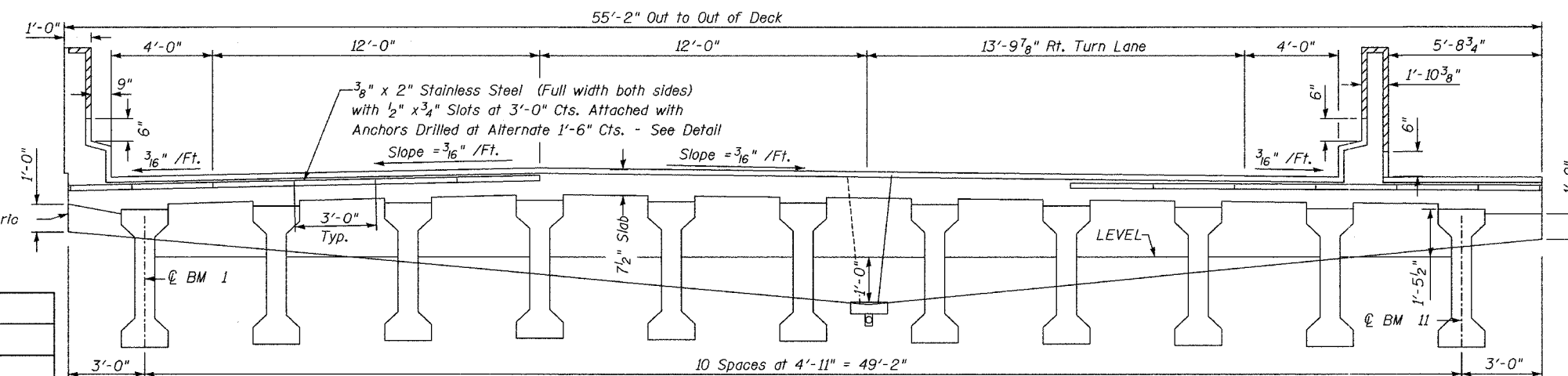
*(102VBR-M) CONTRACT #64A87



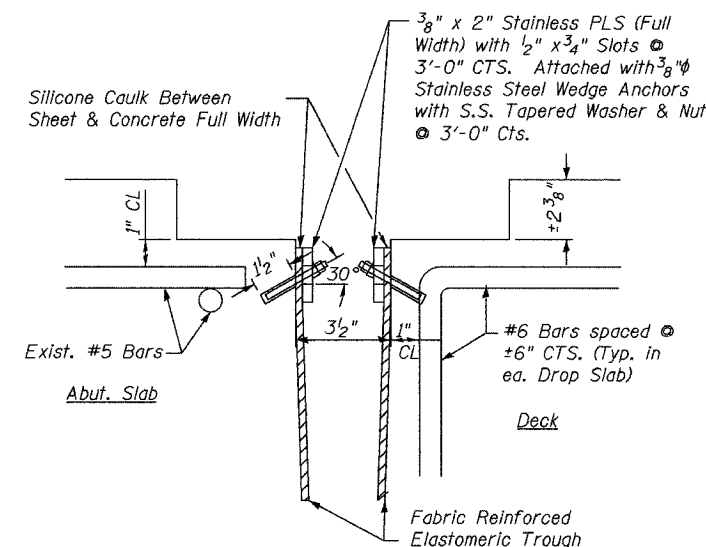
TYP. DECK CROSS SECTION AT PIER #2



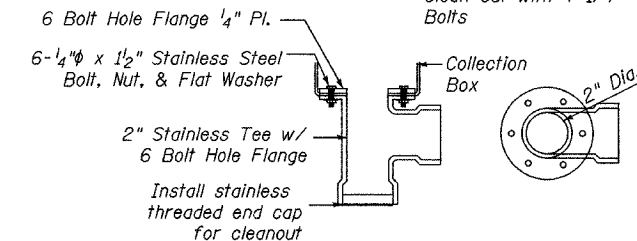
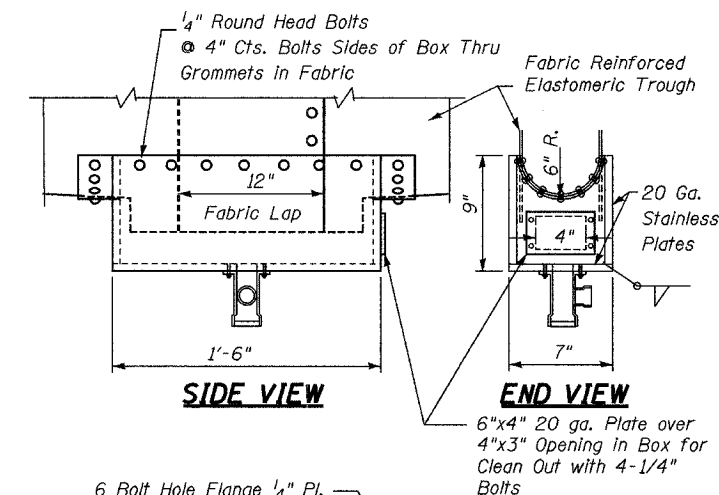
TYP. DECK CROSS SECTION AT PIER #1



TYP. DECK CROSS SECTION AT ABUTMENT #2



TYPICAL SECTION THRU EXP. JT.
(SHOWING DRAIN TROUGH ATTACHMENT)



TROUGH COLLECTION BOX
AND FITTING DETAIL

Note: Cost of collection box, drain, pipe, and fittings included with Fabric Reinforced Elastomeric Trough

DECK CROSS SECTIONS
F.A.P. Route 301 (U.S. Route 20)
SECTION 102VBR-M
JO DAVIESS COUNTY
SN 043-0043

DESIGNED	SB, DP
CHECKED	SB
DRAWN	BH, BS
CHECKED	SB