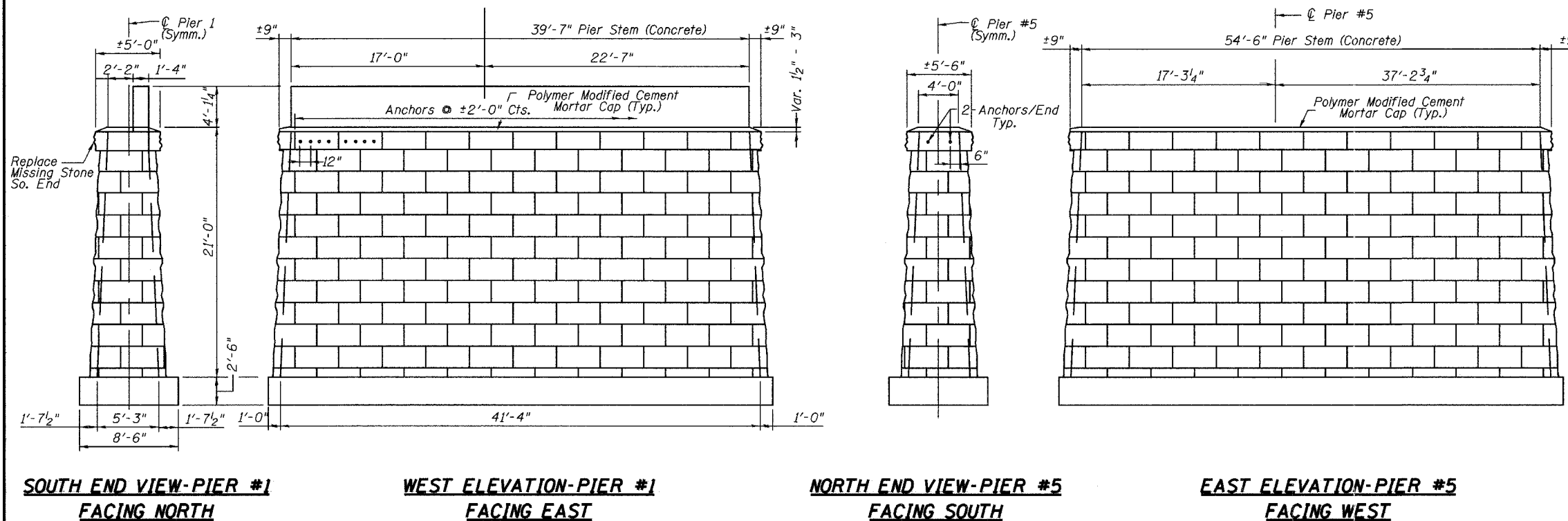
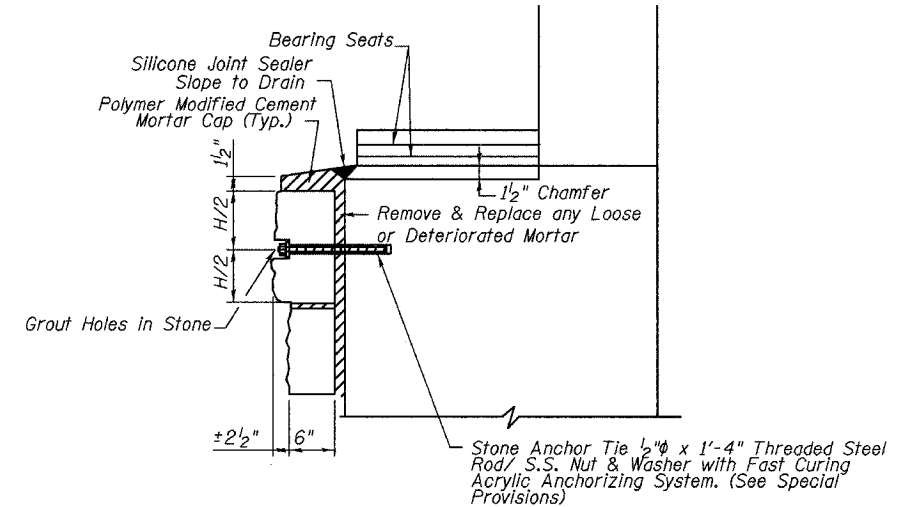
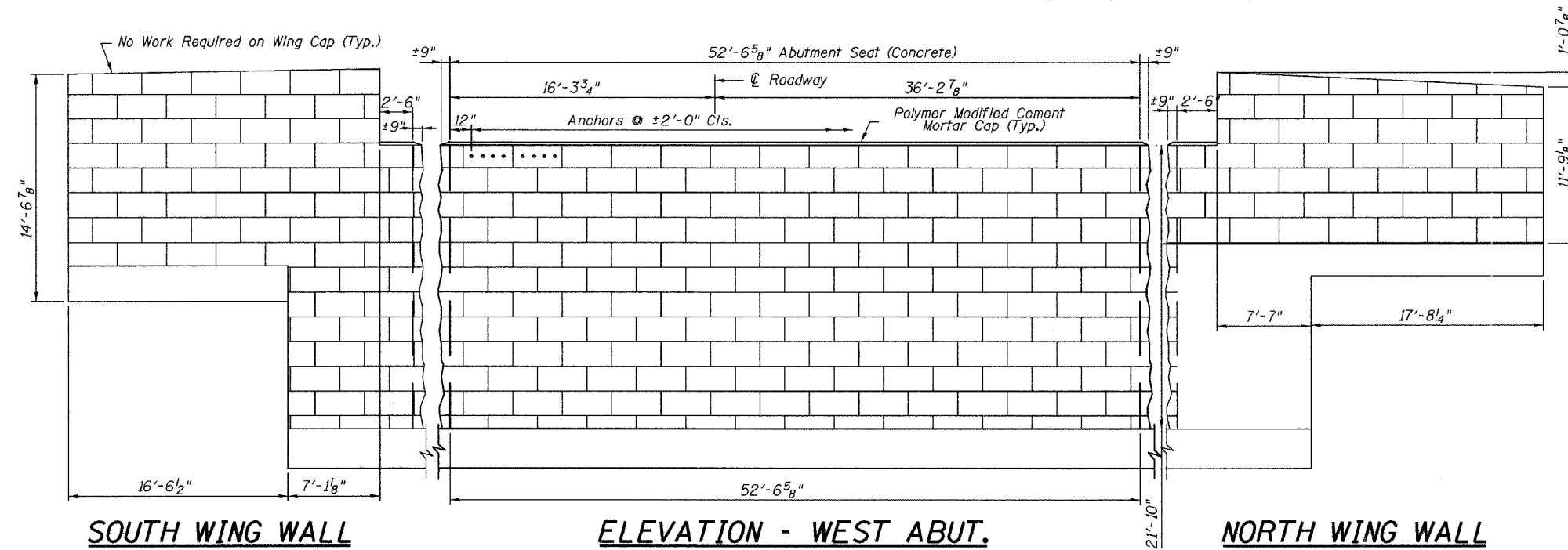


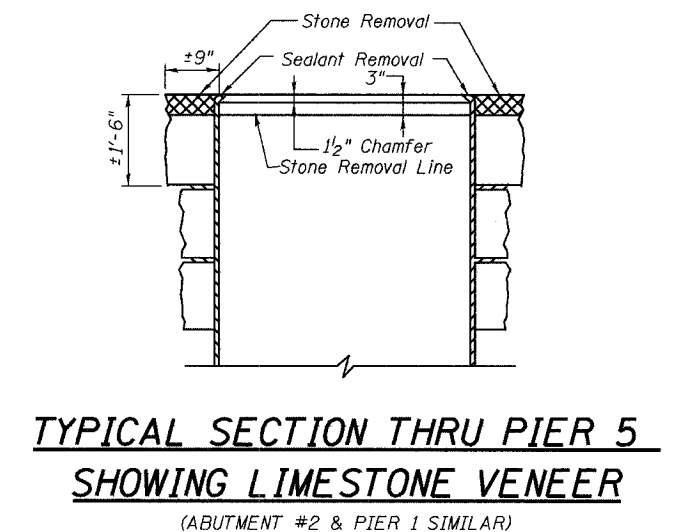
STATE OF ILLINOIS
DEPARTMENT OF TRANSPORTATION

ROUTE NO.	SECTION	COUNTY	SHEETS	SHEET NO.
	*	Jo Daviess	7	6
FED. ROAD DIST. NO. 7	ILLINOIS	FED. AID PROJECT		

*(102VBR-M) CONTRACT #64A87



TYPICAL END VIEW - PIER 1
(PIER 5 & ABUTMENT #2 SIMILAR)



BILL OF MATERIAL

ITEM	UNIT	TOTAL
Polymer Modified Portland Cement Mortar	Cu. Ft.	55
Stone Removal	Cu. Ft.	47
Silicone Joint Sealer	Foot	320
Limestone Replacement	Sq. Ft.	284
Limestone Masonry Veneer	Sq. Ft.	60
Anchor Rods	Each	160

DESIGNED	SB, DP
CHECKED	SB
DRAWN	BH, BS
CHECKED	SB

*The plan quantity for Limestone Masonry Veneer is estimated and included as a contingency for new limestone to be used as directed by the engineer during construction.

LIMESTONE MASONRY REPAIR
F.A.P. ROUTE 301 (US 20)
SECTION 102VBR-M
JO DAVIESS COUNTY
SN 043-0043