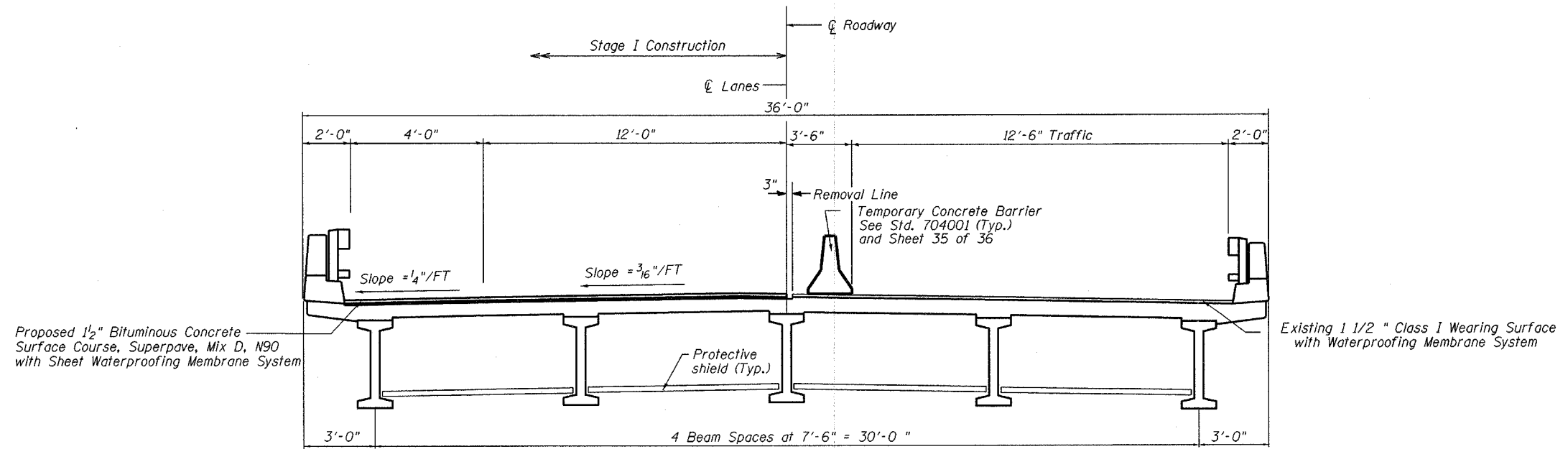


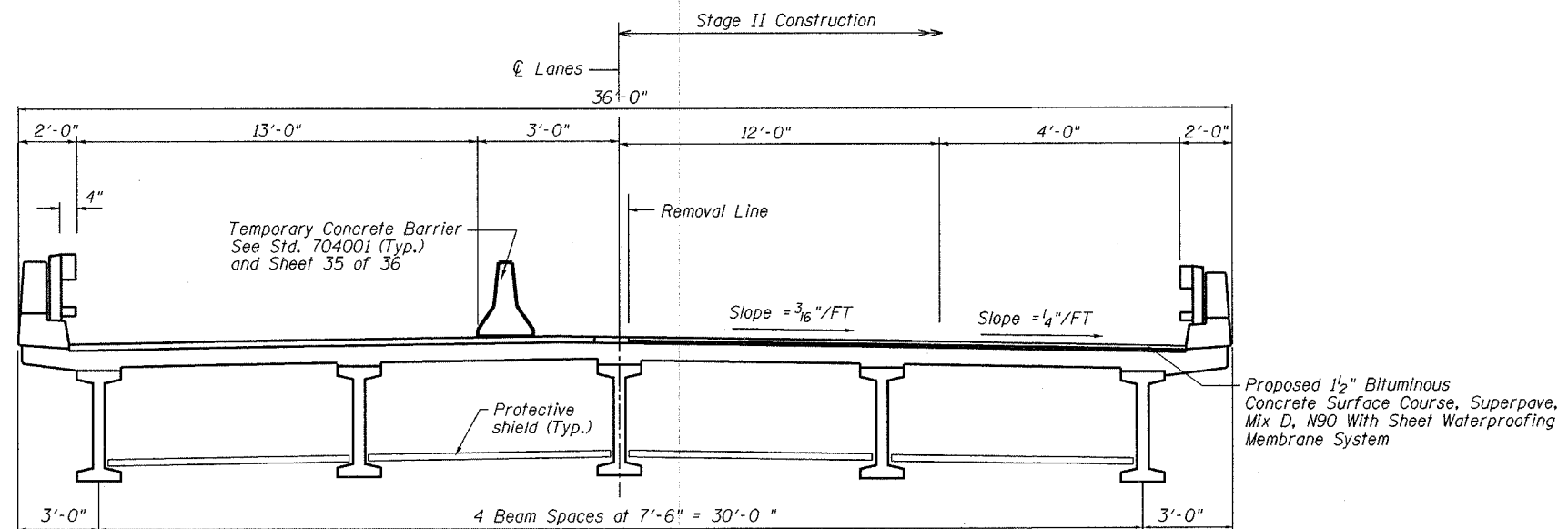
STATE OF ILLINOIS
DEPARTMENT OF TRANSPORTATION

ROUTE NO.	SECTION	COUNTY	SHEETS	SHEET	SHEET NO. 2
	3	Winnebago	36	19	9 SHEETS
FED. ROAD DIST. NO. 7	ILLINOIS	FED. AID PROJECT			
* (5VB, 5HB, 1-2HB)M CONTRACT #64A88					



DECK CROSS SECTION - STAGE I

(Looking South SN 101-0031)
(Looking North SN 101-0032)



DECK CROSS SECTION - STAGE II

(Looking South SN 101-0031)
(Looking North SN 101-0032)

DESIGNED	SB, DP
CHECKED	SB
DRAWN	BH, BS
CHECKED	SB

DECK CROSS SECTIONS
F.A.P. Route 303 & F.A.P. Route 738
(IL 251) OVER Rockton Road
SECTION (5VB, 5HB, 1-2HB)M
WINNEBAGO COUNTY
SN 101-0031 & 101-0032