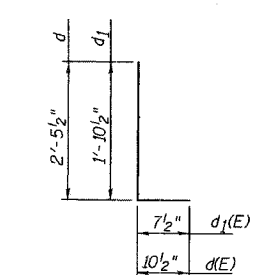
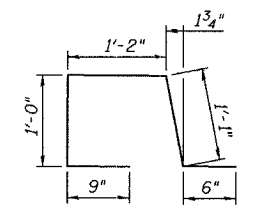
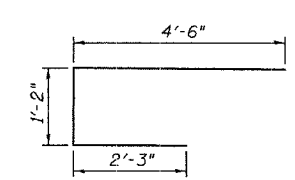
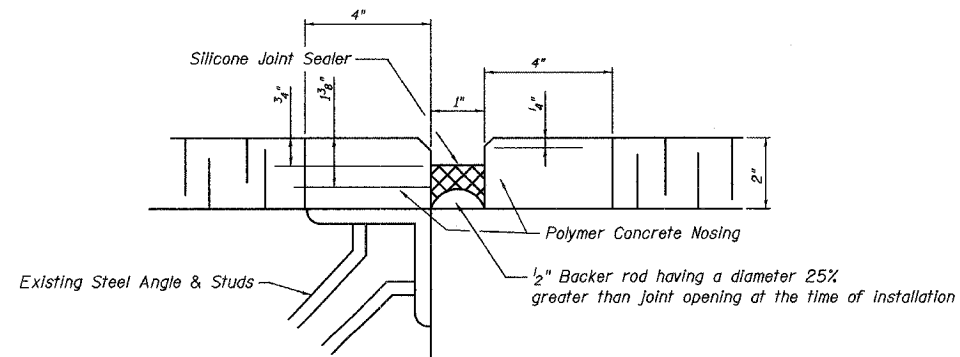
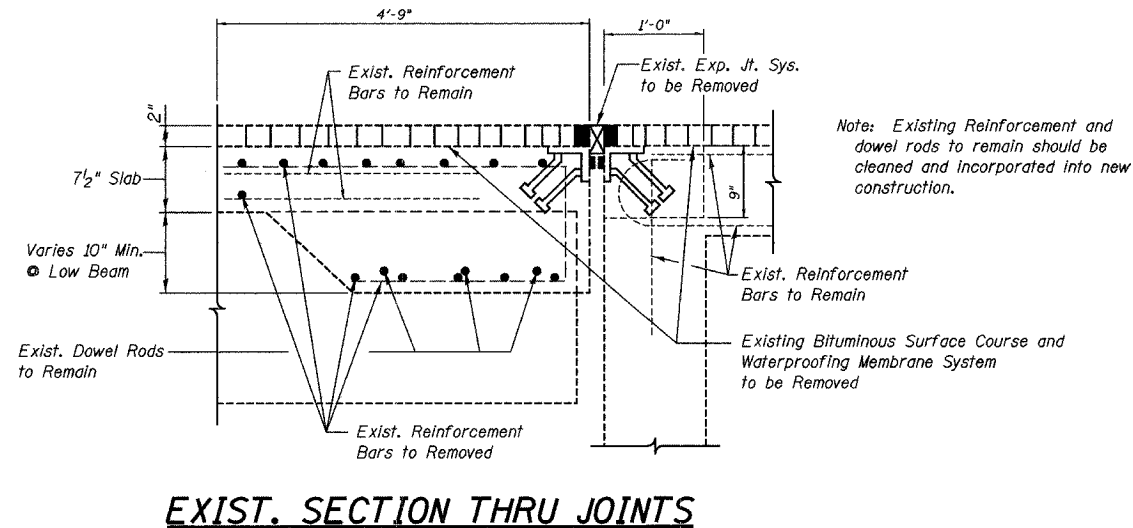
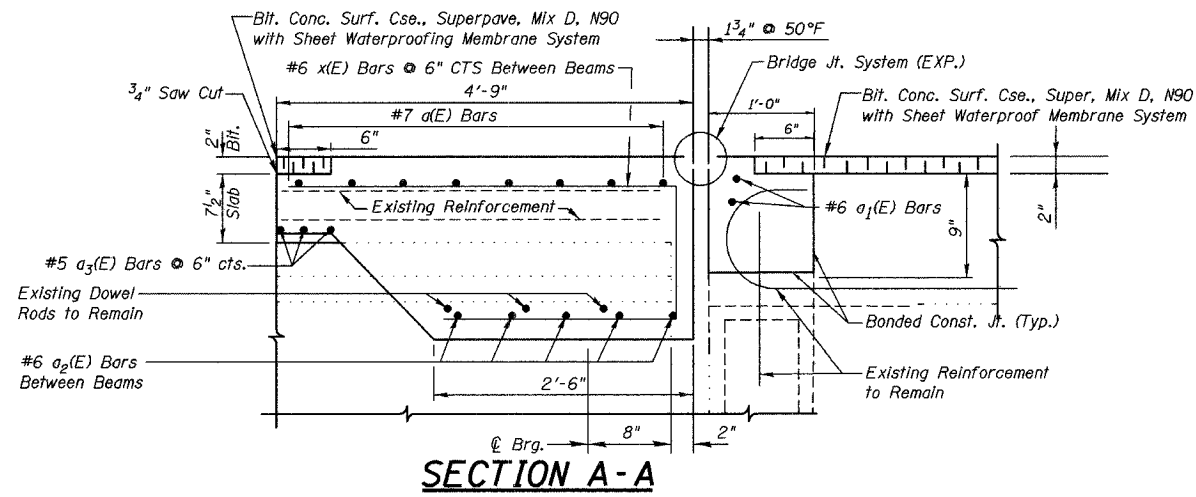
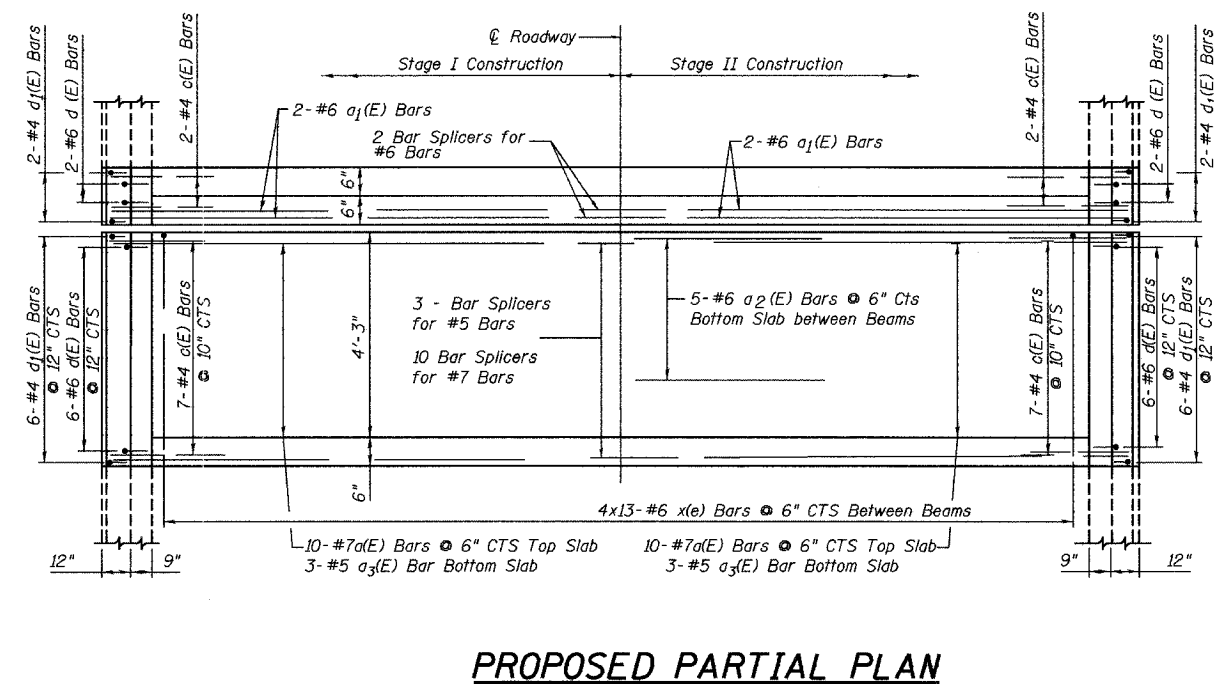
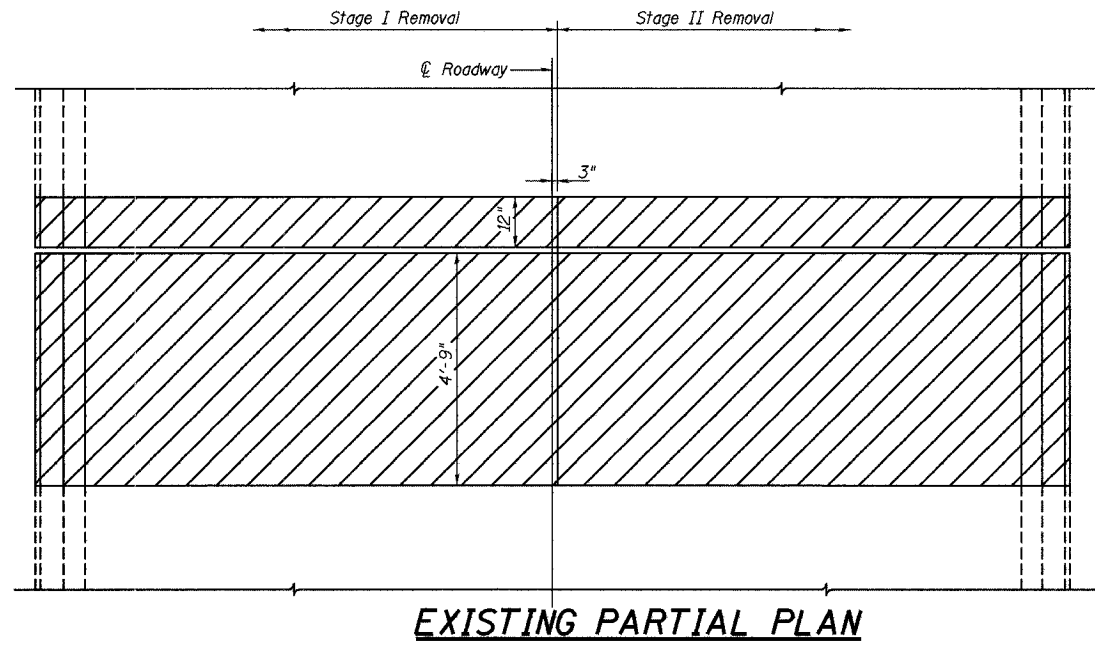


STATE OF ILLINOIS
DEPARTMENT OF TRANSPORTATION

ROUTE NO.	SECTION	COUNTY	TOTAL SHEETS	SHEET NO.	SHEET NO. 5
F.A.P. 303 & 738	#	Winnebago	36	22	9 SHEETS
FED. ROAD DIST. NO. 7	ALINDERS	FED. AID PROJECT			

* (5VB, 5HB, 1-2HB)M CONTRACT #64A88



DESIGNED	SB, DP
CHECKED	SB
DRAWN	BH, BS
CHECKED	SB

JOINT RECONSTRUCTION PLAN
F.A.P. Route 303 & F.A.P. Route 738
(IL 251) OVER Rockton Road
SECTION (5VB, 5HB, 1-2HB)M
WINNEBAGO COUNTY
SN 101-0031 & 101-0032