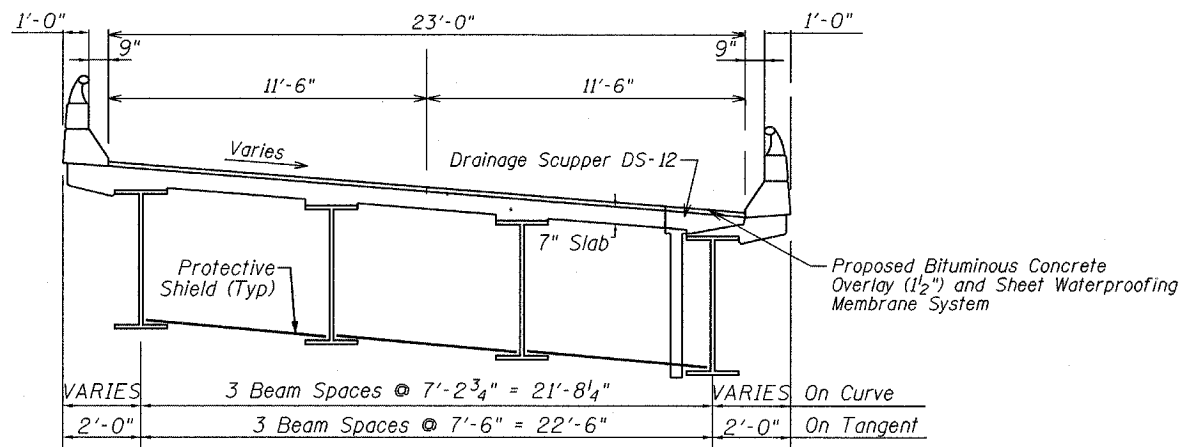


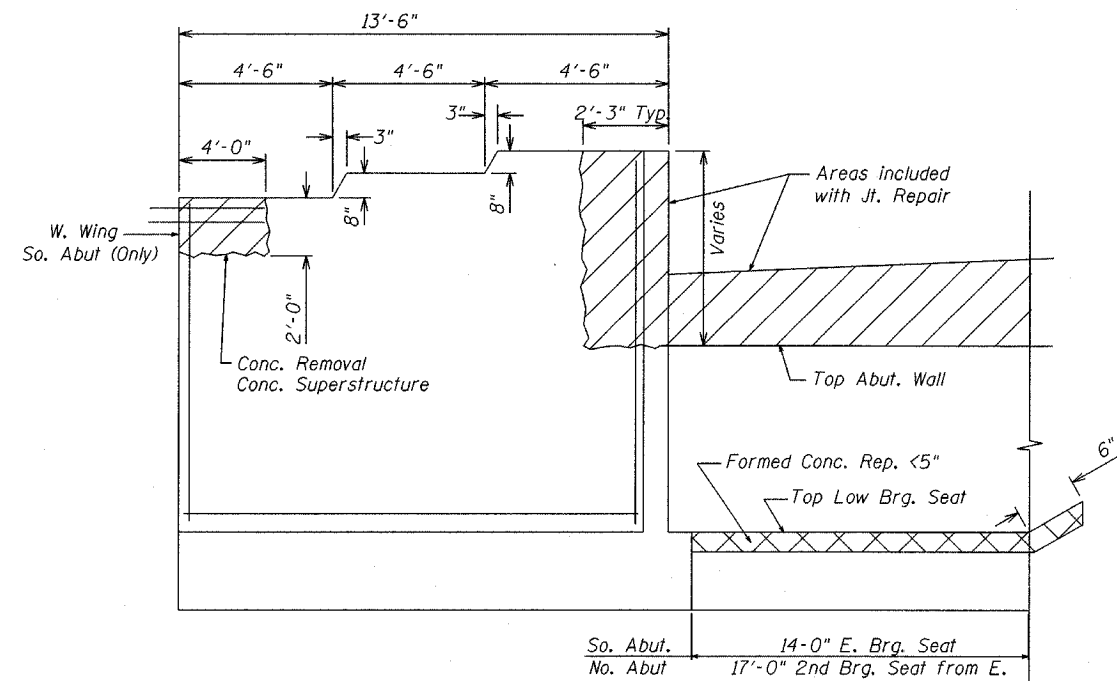
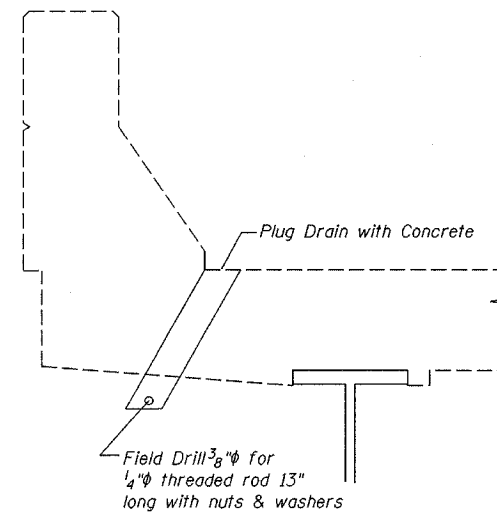
STATE OF ILLINOIS
DEPARTMENT OF TRANSPORTATION

ROUTE NO.	SECTION	COUNTY	SHEET NO.	SHEET	SHEET NO.
S.B.I. 173	*	Winnebago	36	30	8 SHEETS
F.A.L.					
FED. ROAD DIST. NO. 7	ILLINOIS	FED. AID PROJECT			

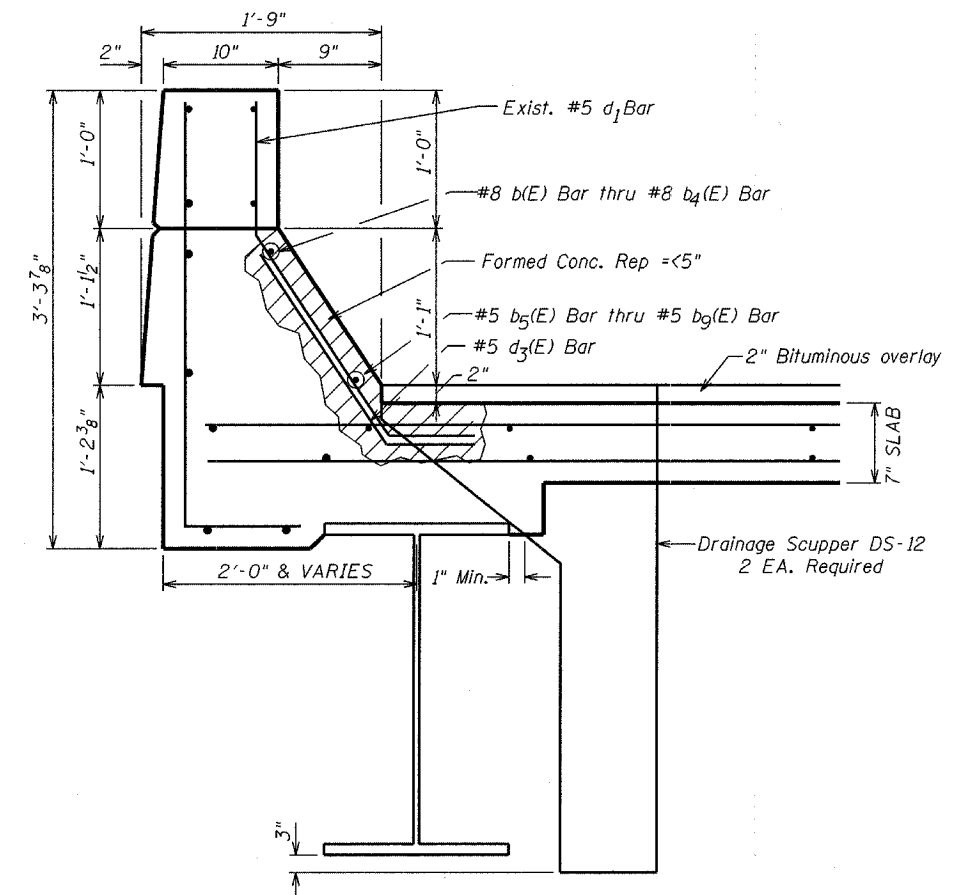
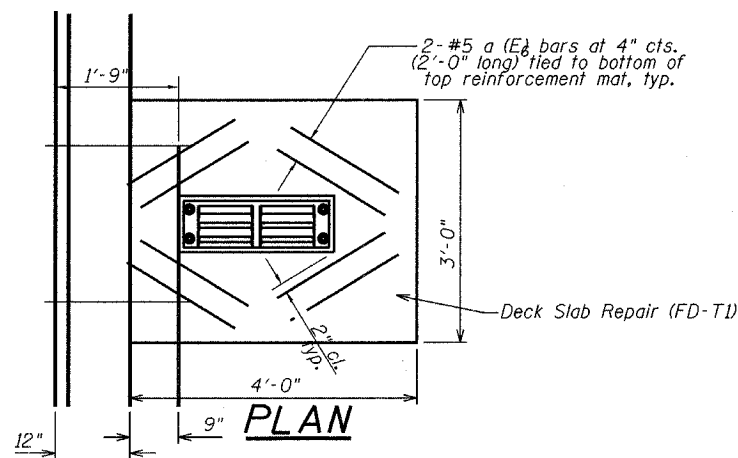
* (5VB, 5HB, 1-2HB)M Contract #64A88



DECK CROSS SECTION
(Looking North)



TYPICAL WING WALL



TYP. SECTION THRU PARAPET
Note: Cut longitudinal reinforcement to clear drainage scupper

DESIGNED	SB, DP
CHECKED	SB
DRAWN	BH, BS
CHECKED	SB

DECK CROSS SECTION &
SCUPPER DETAILS
S.B.I. Rte. 173 OVER
F.A. Rte. 188
SECTION D-2 JOINT REPAIRS 2004-1
WINNEBAGO COUNTY
SN 101-0123