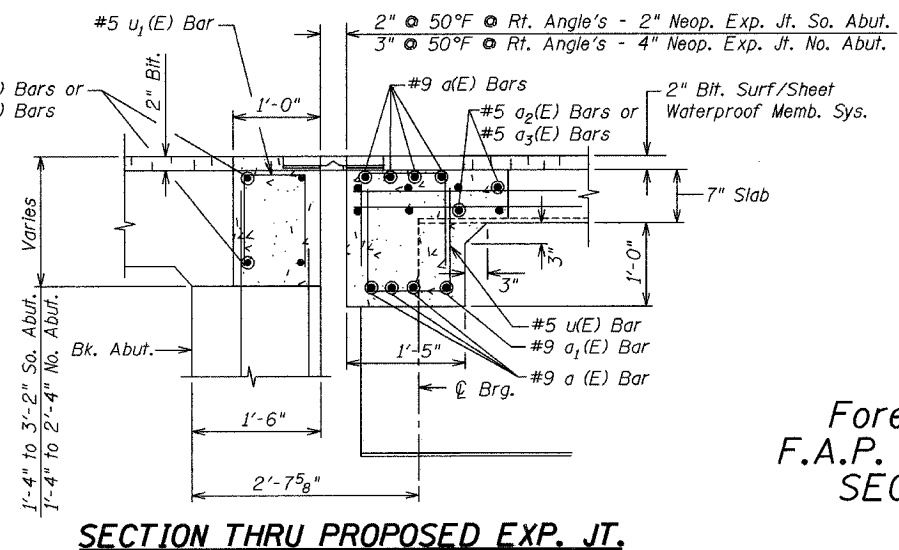
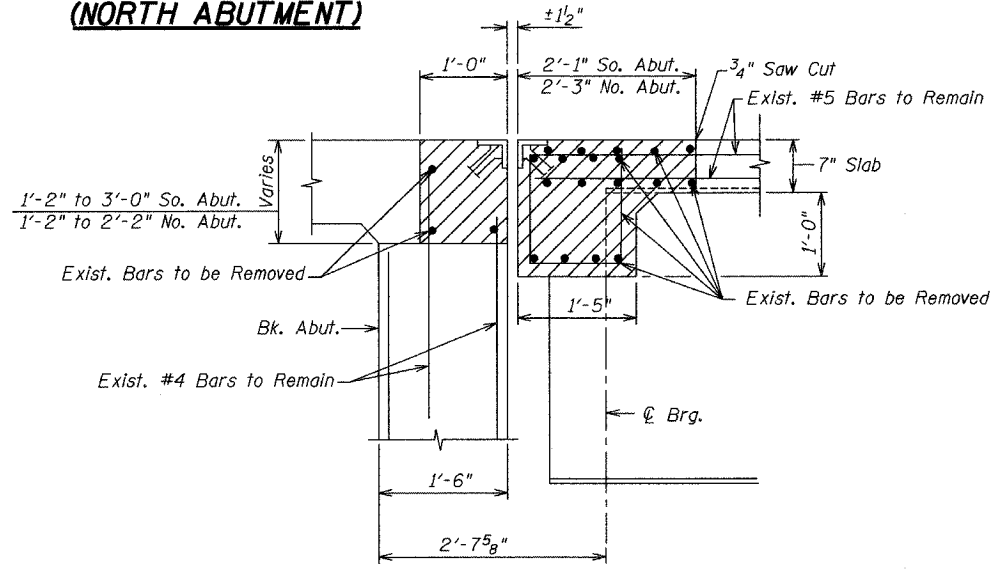
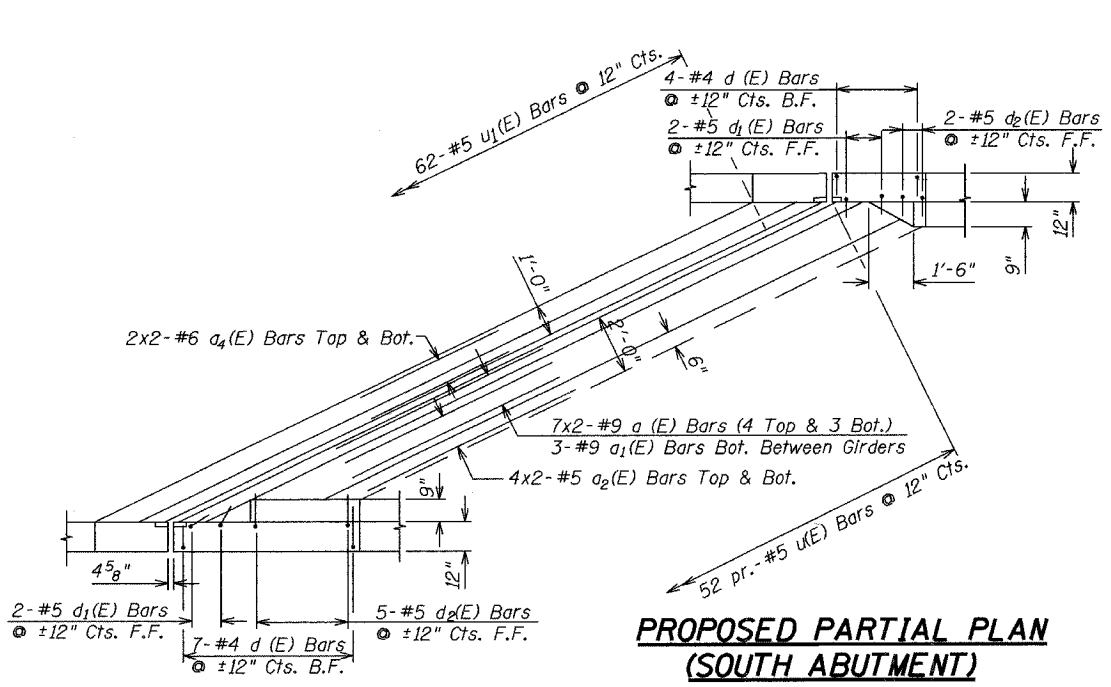
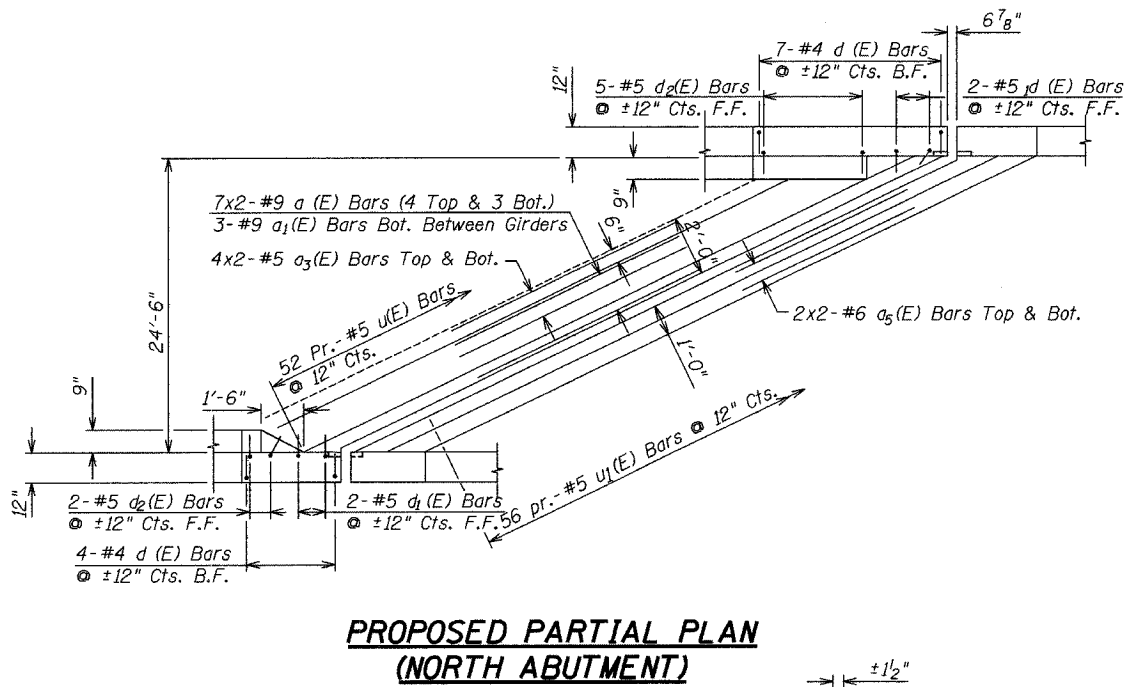
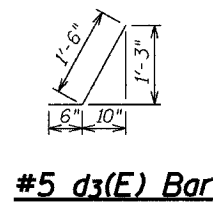
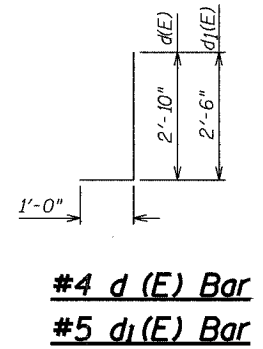
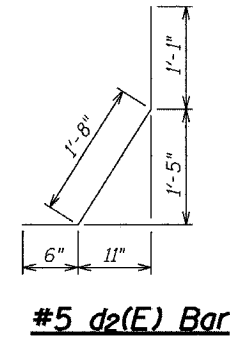
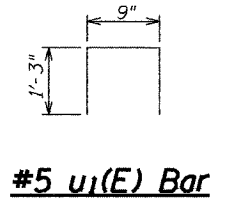
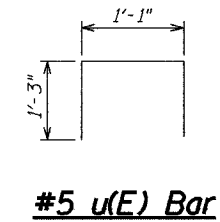
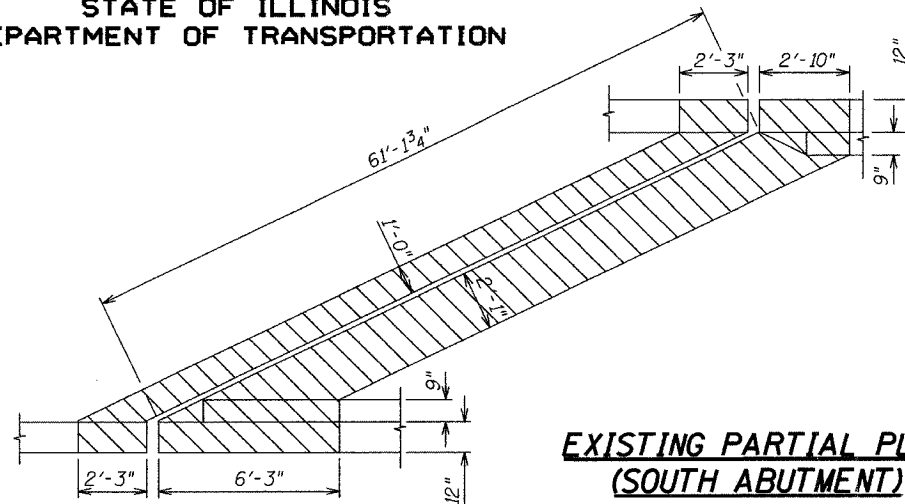
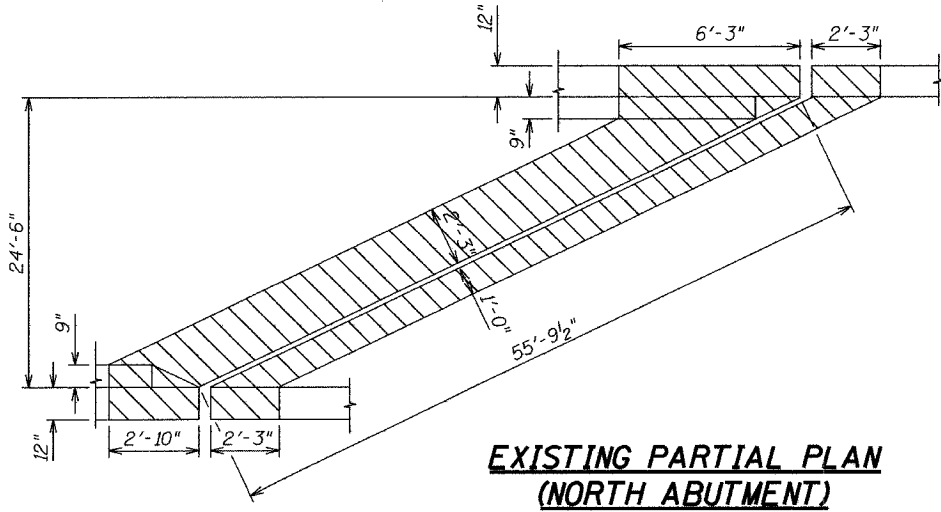


STATE OF ILLINOIS
DEPARTMENT OF TRANSPORTATION

ROUTE NO.	SECTION	COUNTY	SHEETS	SHEET NO.
	3	Winnebago	36	31
SHEETS				
* Section (5VB,5HB,1-2HB)M Contract #64A88				



Min. Bar Lap

#5	2'-5"
#6	2'-10"
#8	5'-1"
#9	6'-4"

JOINT DETAILS
Forest Hills Road Ramp Over
F.A.P. 303 & F.A.P. 738 (IL 251)
SECTION (5VB,5HB,1-2HB)M
WINNEBAGO COUNTY
SN 101-0123

DESIGNED	SB, DP
CHECKED	SB
DRAWN	BH, BS
CHECKED	SB