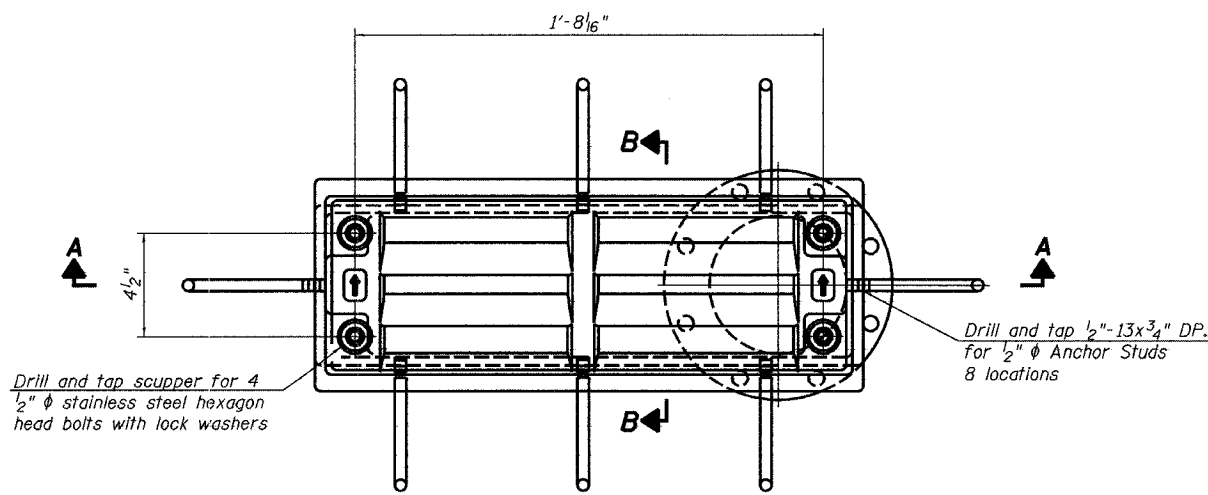


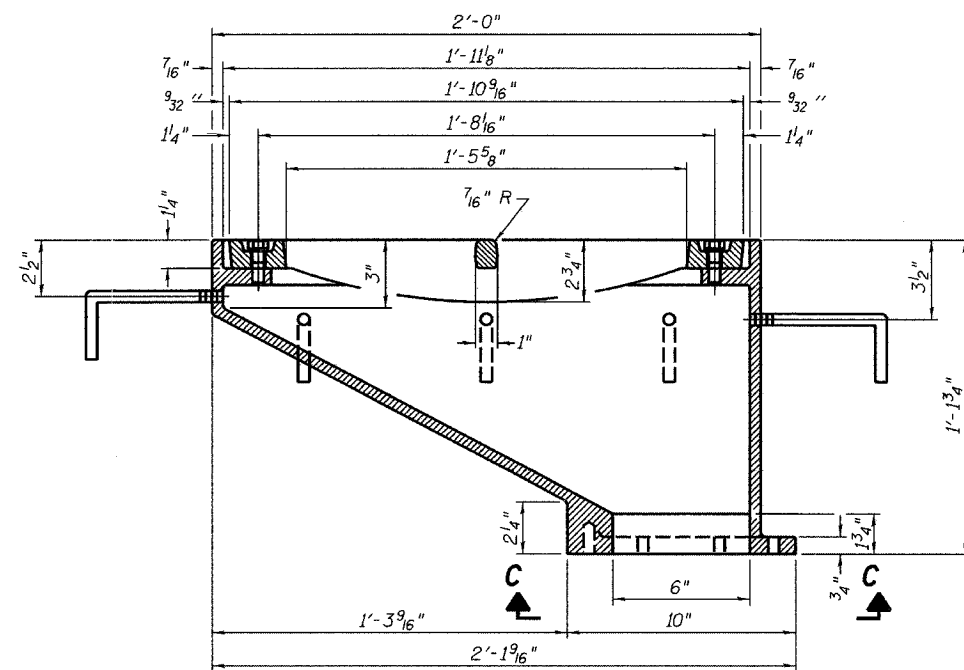
STATE OF ILLINOIS
DEPARTMENT OF TRANSPORTATION

ROUTE NO.	SECTION	COUNTY	TOTAL SHEETS	SHEET NO.	SHEET NO.
S.B.L. 173	#	Winnebago	36	33	8 SHEETS
F.A.P.					
FED. ROAD DIST. NO. 7	ILLINOIS	FED. AID PROJECT-			

* Section (5VB,5HB,1-2HB)M Contract #64A88

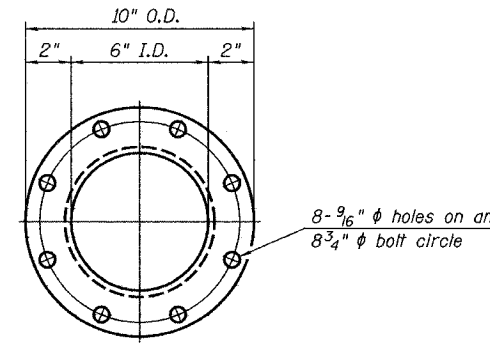


PLAN

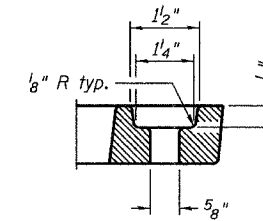


SECTION A-A

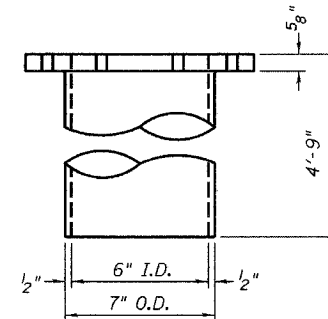
See sheet 4 of 8 for scupper location relative to parapet.



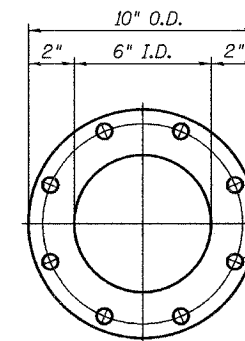
BOLT HOLE DETAIL



ANCHOR STUD DETAIL

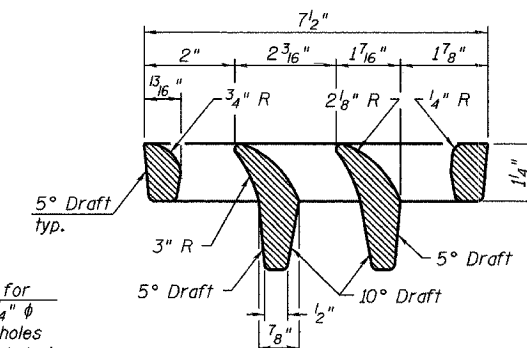


DOWNSPOUT



VIEW C-C

Drill and tap 8 holes for 1/2"-13 bolts on an 8³/₄" φ bolt circle. (2 blind holes are 1¹/₄" deep, 6 thru holes)



VANE GRATE DETAIL

Notes:

- All cast iron parts shall be gray iron conforming to the requirements of AASHTO M 105, Class 35B.
- Bolts, anchor studs, washers and nuts shall conform to the requirements of ASTM A 307 and shall be galvanized according to AASHTO M 232.
- The grate, frame and downspout shall be galvanized according to AASHTO M 111 and ASTM A 385. Downspouts located on the exterior side of a painted steel fascia beam shall be painted with the finish coat specified for the exterior side of the fascia beam.
- As an alternate, bolts, anchor studs, washers and nuts may be stainless steel according to Article 1006.29(d) of the Standard Specifications.
- Structural steel weldments of equal sections and of the same configuration may be substituted for cast iron. Fillet or full penetration welds shall be used for the weldments. Details shall be submitted to the Engineer for approval.
- The Contractor shall take appropriate measures to assure that Protective Coat is not applied to the scupper.
- Cost of the Grate, Frame, Downspout, Anchor Studs, Bolts, Washers and Nuts including complete installation of the scupper shall be paid for at the contract unit price each for Drainage Scupper, DS-12.

BILL OF MATERIAL

ITEM	UNIT	QUANTITY
Drainage Scupper, DS-12	Each	2

DESIGNED	SB, DP
CHECKED	SB
DRAWN	BH, BS
CHECKED	SB

DRAINAGE SCUPPER, DS-12
Forest Hills Road Ramp Over
F.A.P. 303 & F.A.P. 738 (IL 251)
SECTION (5VB,5HB,1-2HB)M
WINNEBAGO COUNTY
SN 101-0123