

STATE OF ILLINOIS
DEPARTMENT OF TRANSPORTATION

ROUTE NO.	SECTION	COUNTY	SHEET	SHEET NO. 8
	*	Winnebago	36	34
SHEETS				

FED. ROAD DIST. NO. 7 ILLINOIS FED. AID PROJECT Contract #64A88

GENERAL NOTES

Continuous Seal Neoprene Expansion Joint shall consist of molded anchor blocks of elastomer and steel, field assembled over continuous lengths of elastomeric membrane.

The elastomeric membrane shall be premolded with a single or a double upward convolution that will have a "memory" to return to its molded position upon joint closure.

The convolution length shall be such that the extended length will not be greater than the manufactured length when the joint is fully expanded in its design range and will not protrude above the anchor blocks when the joint is fully compressed.

Joint openings shall be adjusted according to Article 503.10(c) of the Standard Specifications when the deck is poured at an ambient temperature other than 50° F.

The parapet and roadway membrane shall be made continuous by an approved vulcanizing process. Lapping will not be permitted.

Joint Size	"C" at 50°F	"D" at 50°F
2"	2"	1 1/2" Min.
2 1/2"	2 1/2"	1 3/4" Min.
4"	3"	2 1/2" Min.

INSTALLATION NOTES

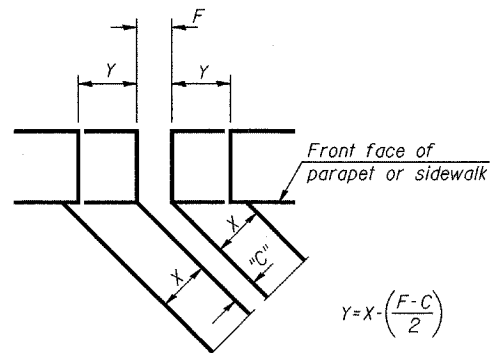
- Install continuous seal in roadway, parapet, curb, and sidewalk.
- Install anchor blocks as indicated.

Note A:
Maximum spacing of anchor bolts shall be 12" centers.

SKREW LIMITATIONS

The details of the anchor blocks and the elastomeric membrane in the parapet, as shown, are for up to 50° skews.

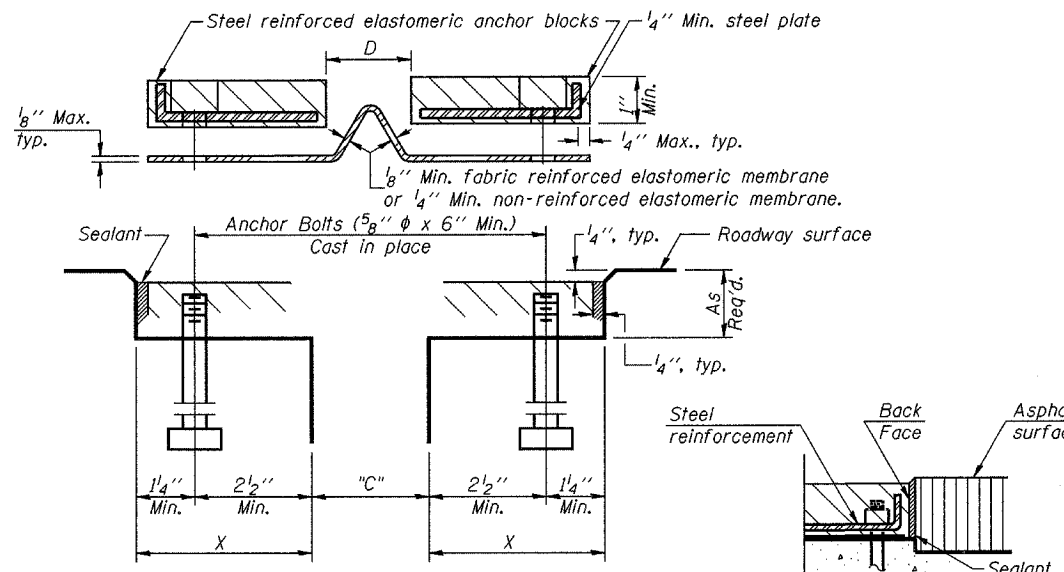
For skews greater than 50°, the anchor blocks and the elastomeric membrane, installed according to dimension "D", might require modifications to insure a minimum clearance of 1/2" from centerline of anchor studs to edge of parapet opening. The anchor blocks and the elastomeric membrane shall also be installed to the top of the parapet with the anchor studs spaced at ±12" cts.



$$Y = X \left(\frac{F-C}{2} \right)$$

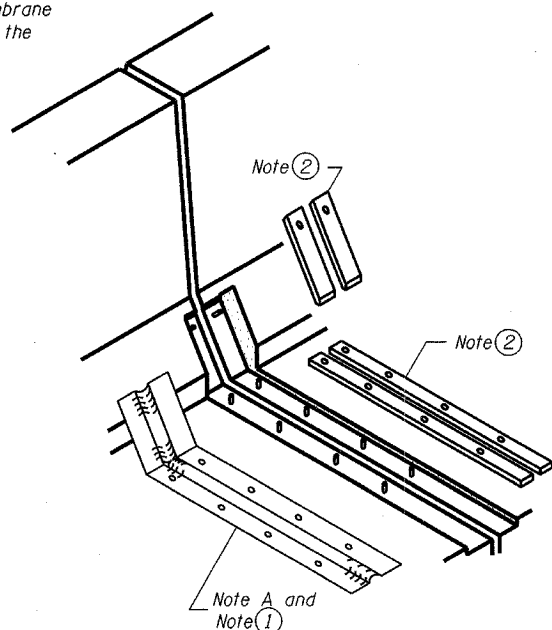
For dimension "F" see sheet #5

FORMING BLOCKOUT SKETCH

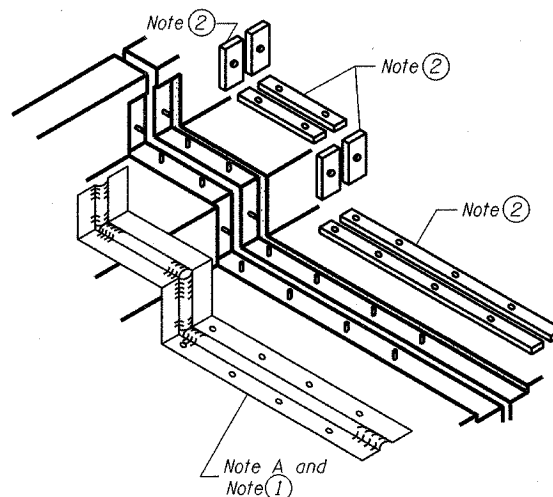


CROSS SECTION

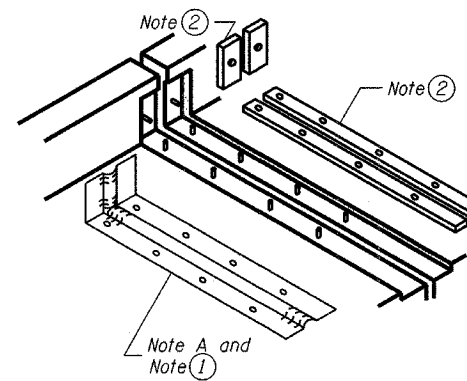
ANCHOR BLOCK WITH ASPHALT SURFACE



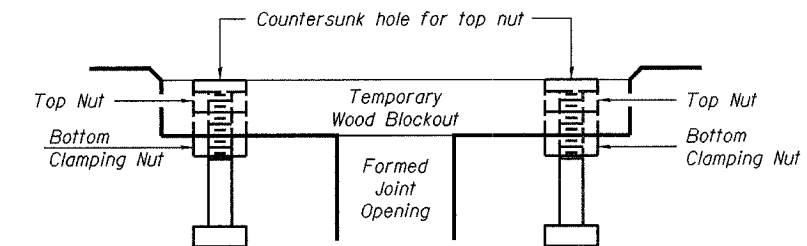
AT PARAPET



AT SIDEWALK OR MEDIAN



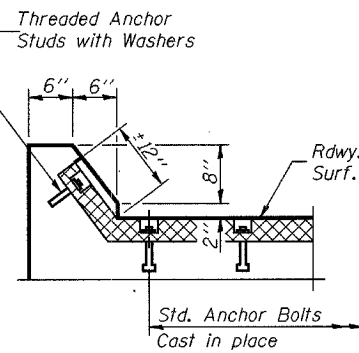
AT WALL



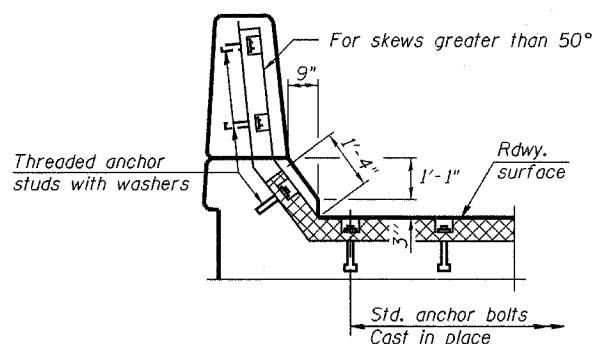
Anchor studs should be stainless
RECOMMENDED BLOCKOUT DETAIL

BILL OF MATERIAL

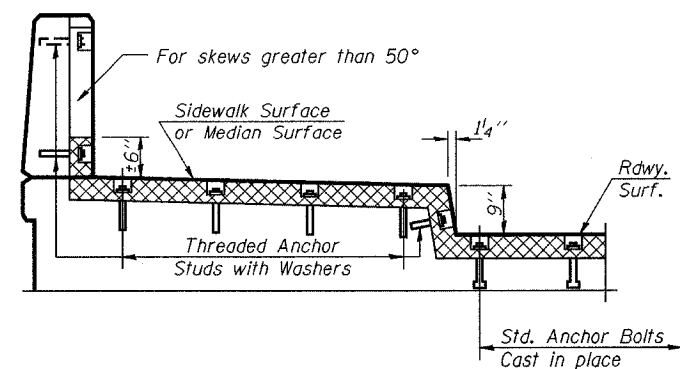
ITEM	UNIT	TOTAL
Neoprene Exp. Jt., 2"	Foot	63
Neoprene Exp. Jt., 4"	Foot	58



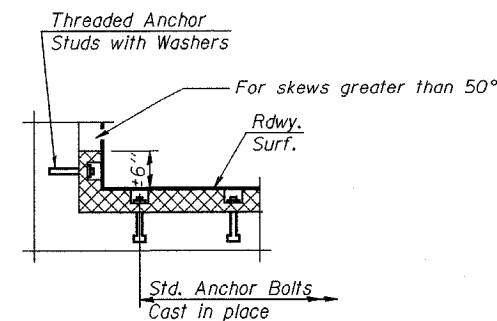
AT CURB



AT PARAPET



AT SIDEWALK OR MEDIAN
TYPICAL END TREATMENTS



AT WALL

DESIGNED	SB, DP
CHECKED	SB
DRAWN	BH, BS
CHECKED	SB

CONTINUOUS SEAL TYPE NEOPRENE EXPANSION JOINTS
Forest Hills Road Ramp Over
F.A.P. 303 & F.A.P. 738 (IL 251)
SECTION (5VB,5HB,1-2HB)M
WINNEBAGO COUNTY
SN 101-0123