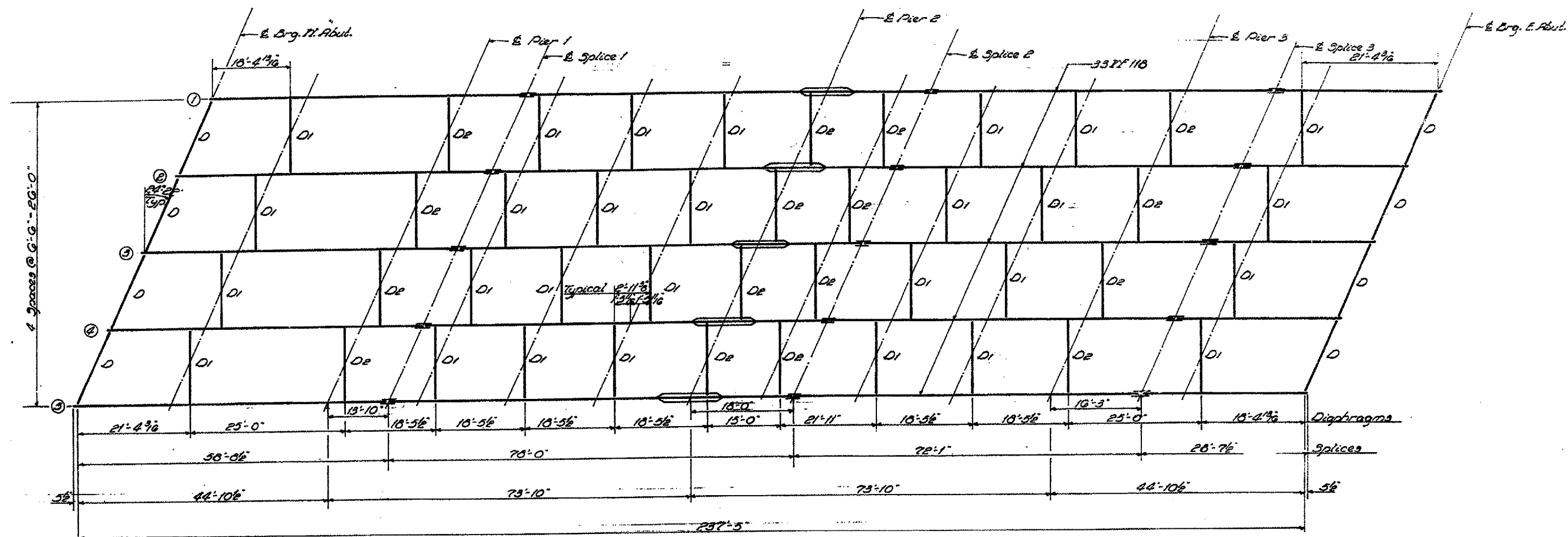
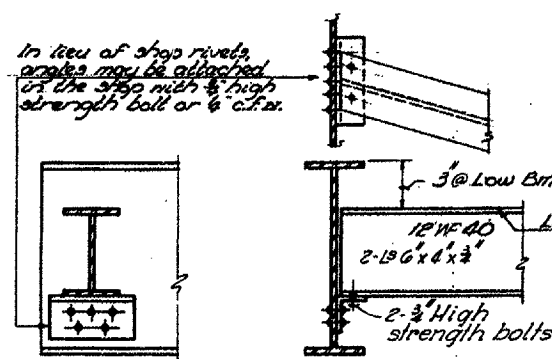


F.A.I. RTE.	SECTION	COUNTY	TOTAL SHEET
57	D-3 BRIDGE PAINTING 2005-1	IRROUOIS	16
FED. ROAD DIST. NO.			ILLINOIS FED. AID PROJECT

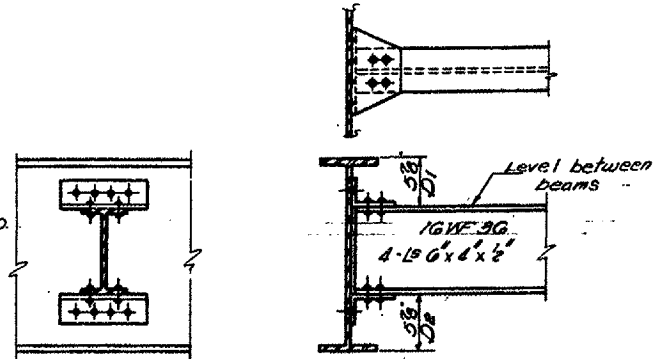
STATE OF ILLINOIS
DEPARTMENT OF PUBLIC WORKS & BUILDINGS
DIVISION OF HIGHWAYS



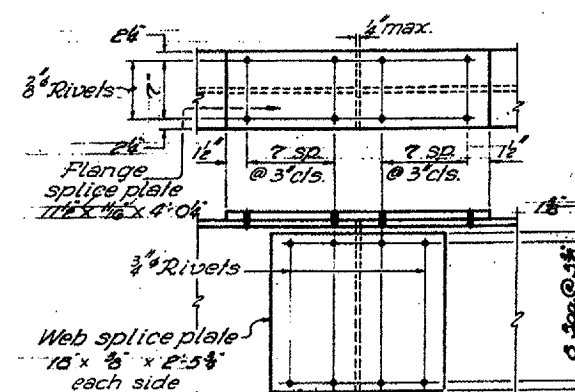
STRUCTURAL STEEL



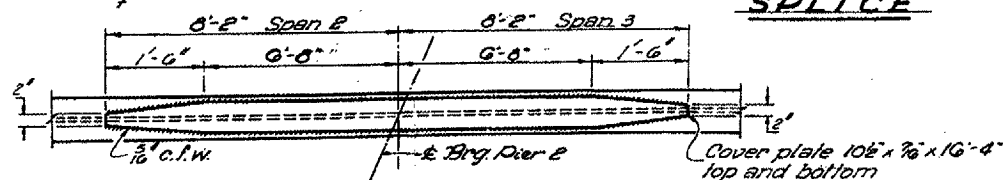
DIAPHRAGM D
3 Required



DIAPHRAGM D1 & D2
20-D1 Required
16-D2 Req'd.



SPLICE



COVER PLATE

REVISIONS	
NAME	DATE

ILLINOIS DEPARTMENT OF TRANSPORTATION
**EXISTING STRUCTURE PLANS
FOR INFORMATION ONLY**
BRIDGE NO. 4
S.N. 038-0134

SCALE: VERT.
HORIZ.
DATE 01/10/05

DRAWN BY RW
CHECKED BY

Date: 01/10/05
brl@paint05/2005-1/details.dgn