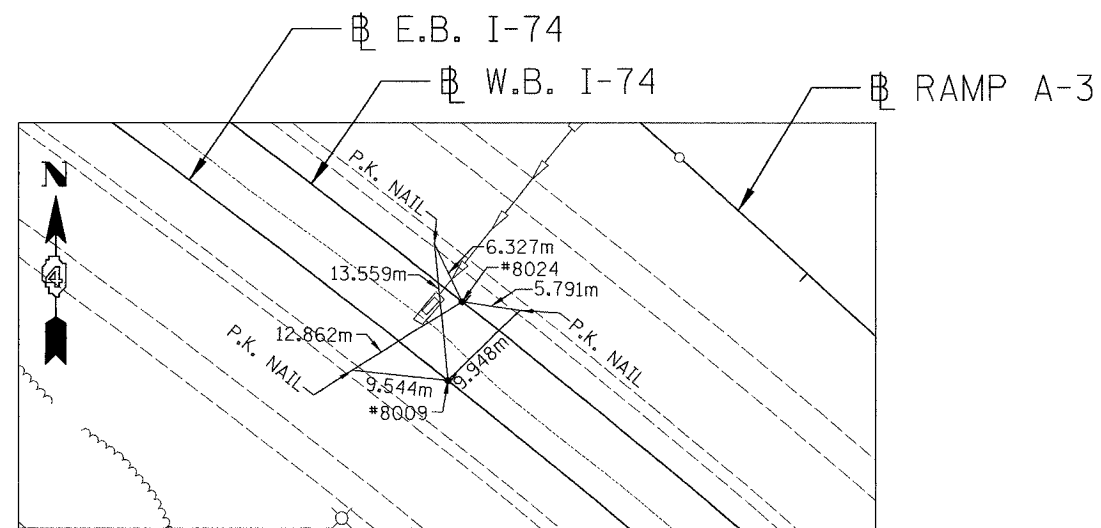
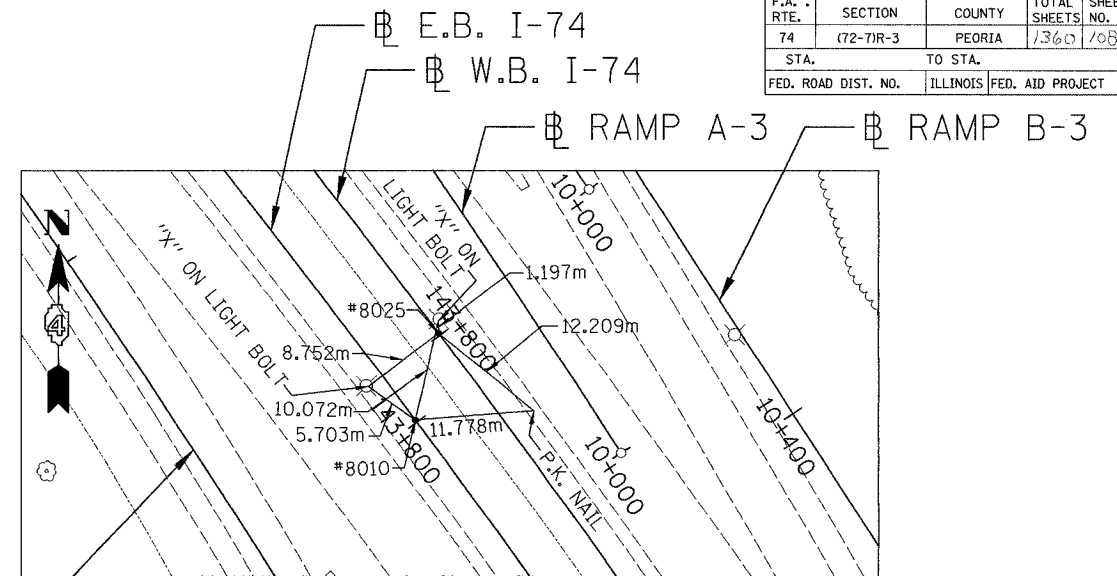


F.A. RTE.	SECTION	COUNTY	TOTAL SHEETS	SHEET NO.
74	(72-7)R-3	PEORIA	136	108
STA.		TO STA.		
FED. ROAD DIST. NO.		ILLINOIS	FED. AID PROJECT	



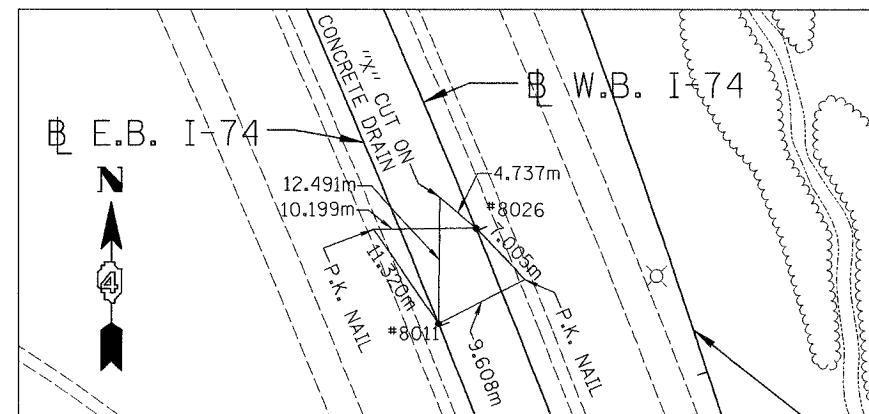
REFERENCE POINTS - 8009 & 8024

#8009 (N 451,789.7330 E 745,782.3561) STA. 143+499.770
 #8024 (N 451,797.5331 E 745,783.7863) STA. 143+499.770



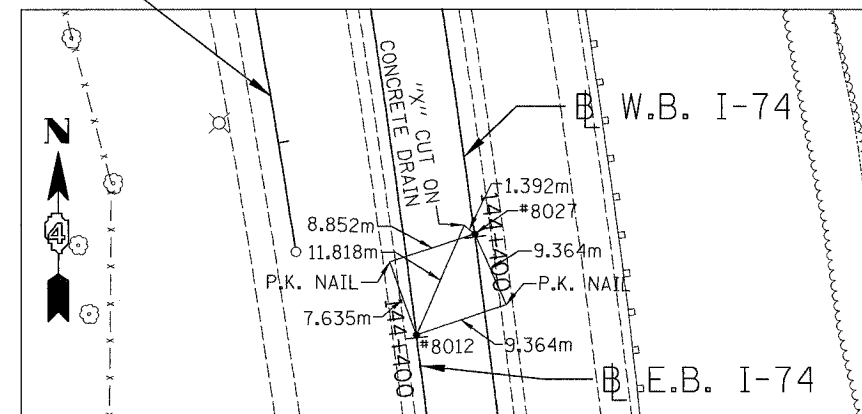
REFERENCE POINTS - 8010 & 8025

#8010 (N 451,574.9760 E 745,990.6175) STA. 143+799.752
 #8025 (N 451,583.5949 E 745,992.9028) STA. 143+799.753



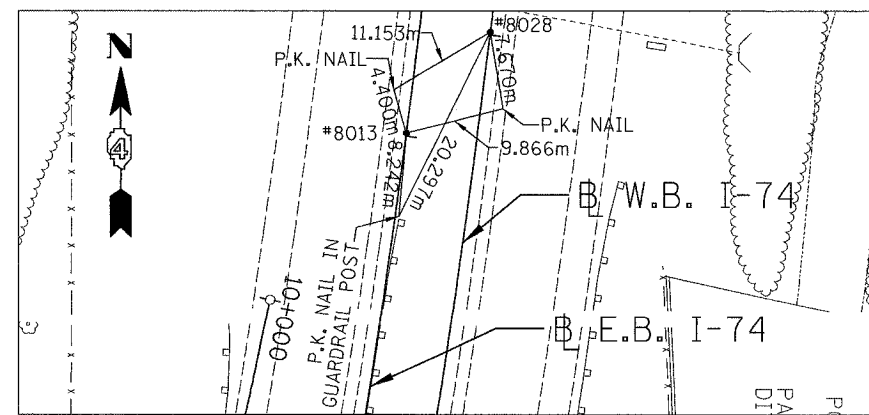
REFERENCE POINTS - 8011 & 8026

#8011 (N 451,314.2636 E 746,137.3227) STA. 144+099.734
 #8026 (N 451,323.6840 E 746,141.0433) STA. 144+099.735



REFERENCE POINTS - 8012 & 8027

#8012 (N 451,024.7867 E 746,212.7981) STA. 144+399.717
 #8027 (N 451,034.7357 E 746,218.5555) STA. 144+399.717



REFERENCE POINTS - 8013 & 8028

#8013 (N 450,725.6332 E 746,212.0671) STA. 144+699.699
 #8028 (N 450,735.5770 E 746,220.3887) STA. 144+699.700

REVISIONS	
NAME	DATE

ILLINOIS DEPARTMENT OF TRANSPORTATION
 ALIGNMENTS, TIES AND BENCHMARKS
 FAI ROUTE 74 (I-74) (WB)
 DRAWN BY CADD
 CHECKED BY MKW
 DATE 11/12/04

