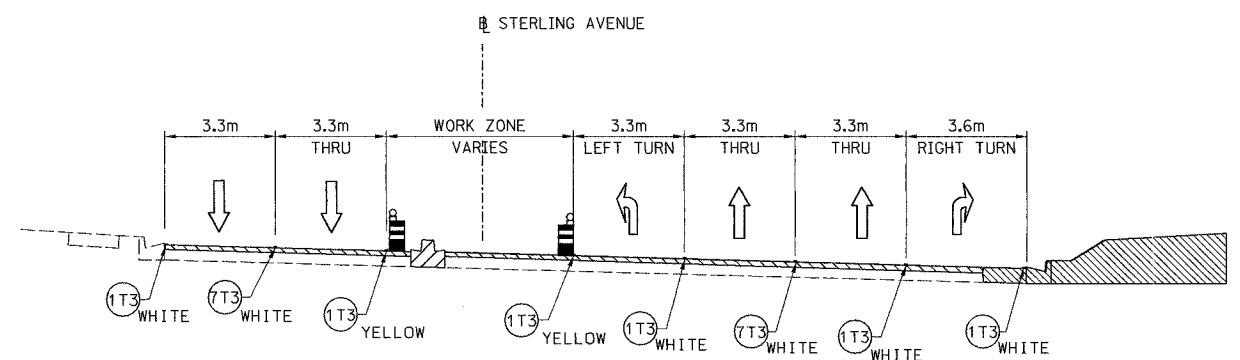
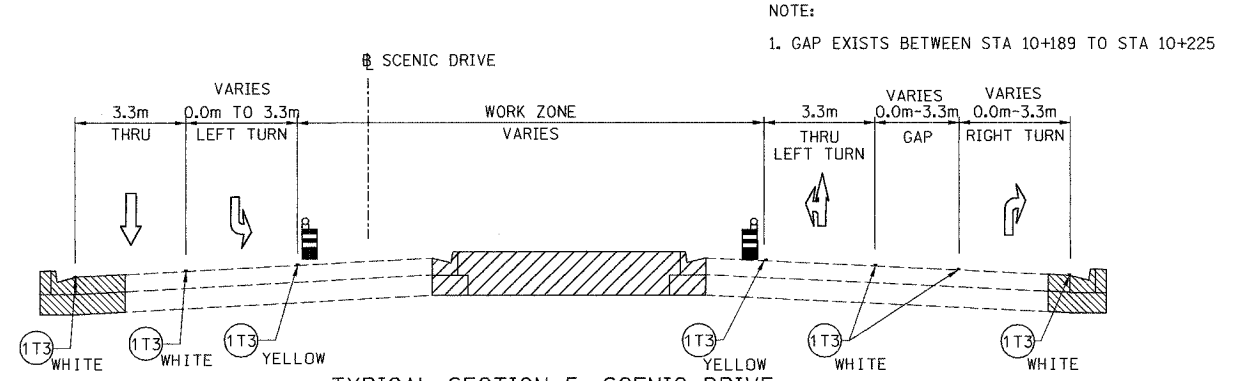


|                     |                           |        |              |           |
|---------------------|---------------------------|--------|--------------|-----------|
| F.A. - RTE.         | SECTION                   | COUNTY | TOTAL SHEETS | SHEET NO. |
| T4                  | (72-7R-3)                 | PEORIA | 1360         | 176       |
| STA.                | TO STA.                   |        |              |           |
| FED. ROAD DIST. NO. | ILLINOIS FED. AID PROJECT |        |              |           |

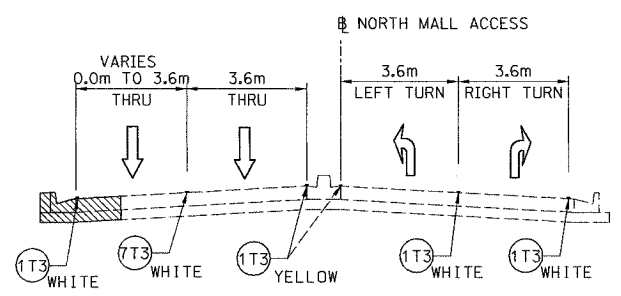


TYPICAL SECTION 4; STERLING AVENUE  
STA. 100+910 TO STA. 101+010

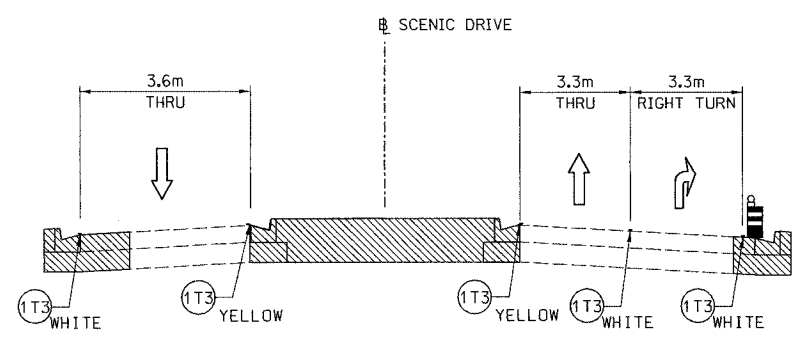


TYPICAL SECTION 5; SCENIC DRIVE  
STA. 10+050 TO STA. 10+225  
(SUBSTAGE 1)

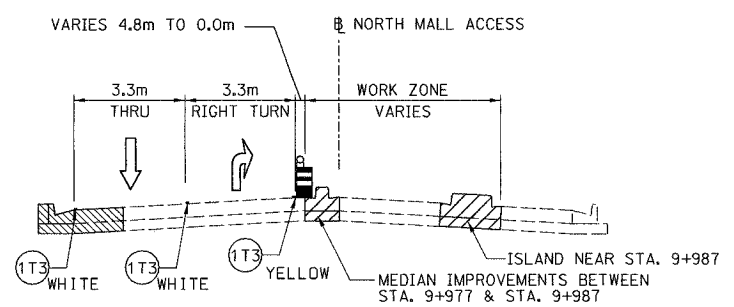
NOTE:  
1. GAP EXISTS BETWEEN STA 10+189 TO STA 10+225



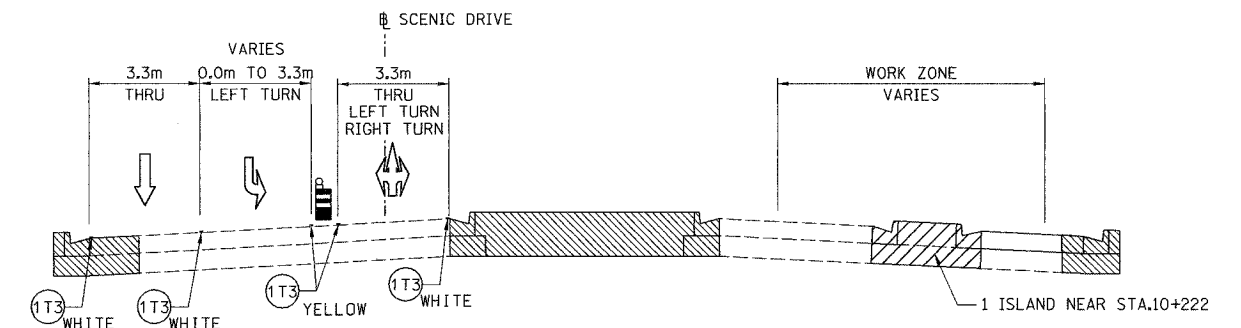
TYPICAL SECTION 8; NORTH MALL ACCESS  
STA. 9+926 TO STA. 9+993  
(SUBSTAGE 1)



TYPICAL SECTION 6; SCENIC DRIVE  
STA. 10+050 TO STA. 10+109  
(SUBSTAGE 2)



TYPICAL SECTION 9; NORTH MALL ACCESS  
STA. 9+926 TO STA. 9+993  
(SUBSTAGE 2)



TYPICAL SECTION 7; SCENIC DRIVE  
STA. 10+109 TO STA. 10+225  
(SUBSTAGE 2)

LEGEND

- |  |  |  |   |
|--|--|--|---|
|  | TEMPORARY PAVEMENT   |  | TEMPORARY PAVEMENT MARKING TAPE, TYPE III |
|  | CONSTRUCTION THIS STAGE  |  | 100 mm SOLID                              |
|  | CONSTRUCTION IN PROCEEDING STAGES  |  | 100 mm SOLID, WET                         |
|  | DIRECTION OF TRAFFIC   |  | 100 mm DOUBLE SOLID                       |
|  | PLASTIC DRUM LIGHTED WITH STEADY BURNING MONODIRECTIONAL LIGHT AT 15.0m O.C. (TYP) |  | 100 mm SKIP DASH                          |
|  | TEMPORARY CONCRETE BARRIER   |  |   |

| REVISIONS |      |
|-----------|------|
| NAME      | DATE |
|           |      |
|           |      |
|           |      |
|           |      |
|           |      |

ILLINOIS DEPARTMENT OF TRANSPORTATION  
MOT TYPICAL SECTIONS  
WAR MEMORIAL DRIVE  
STAGE 3-3  
DRAWN BY CADD  
CHECKED BY KJW  
DATE 11/12/04

