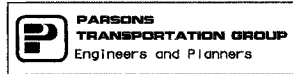
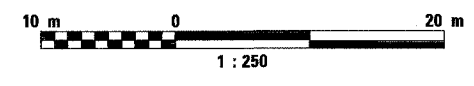
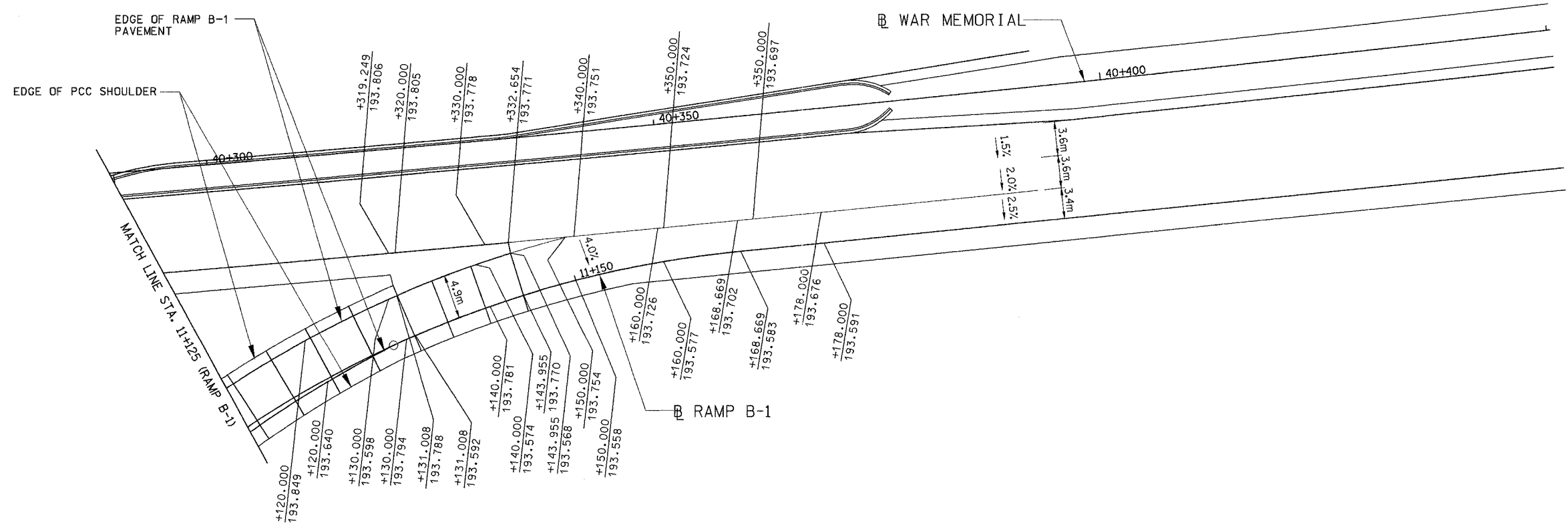
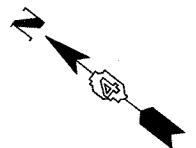


F.A. RTE.	SECTION	COUNTY	TOTAL SHEETS	SHEET NO.
74	(72-71R-3)	PEORIA	1360	367
STA.		TO STA.		
FED. ROAD DIST. NO.		ILLINOIS FED. AID PROJECT		



REVISIONS	
NAME	DATE

ILLINOIS DEPARTMENT OF TRANSPORTATION
GORE DETAILS
 FAI ROUTE 74 (I-74) (WB)
RAMP B-1
 DATE 11/12/04
 DRAWN BY CADD
 CHECKED BY MWP