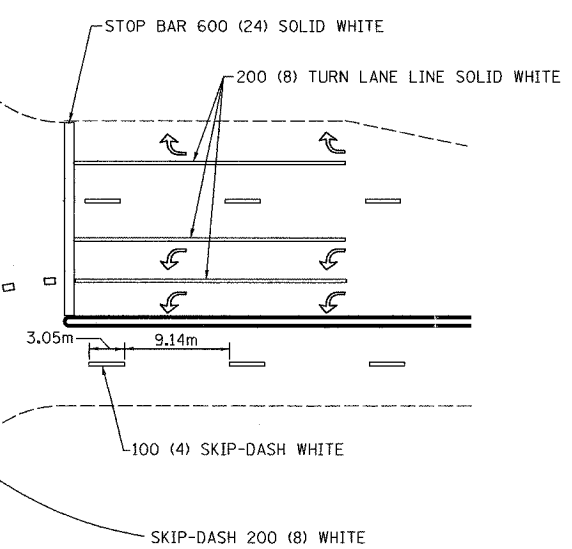
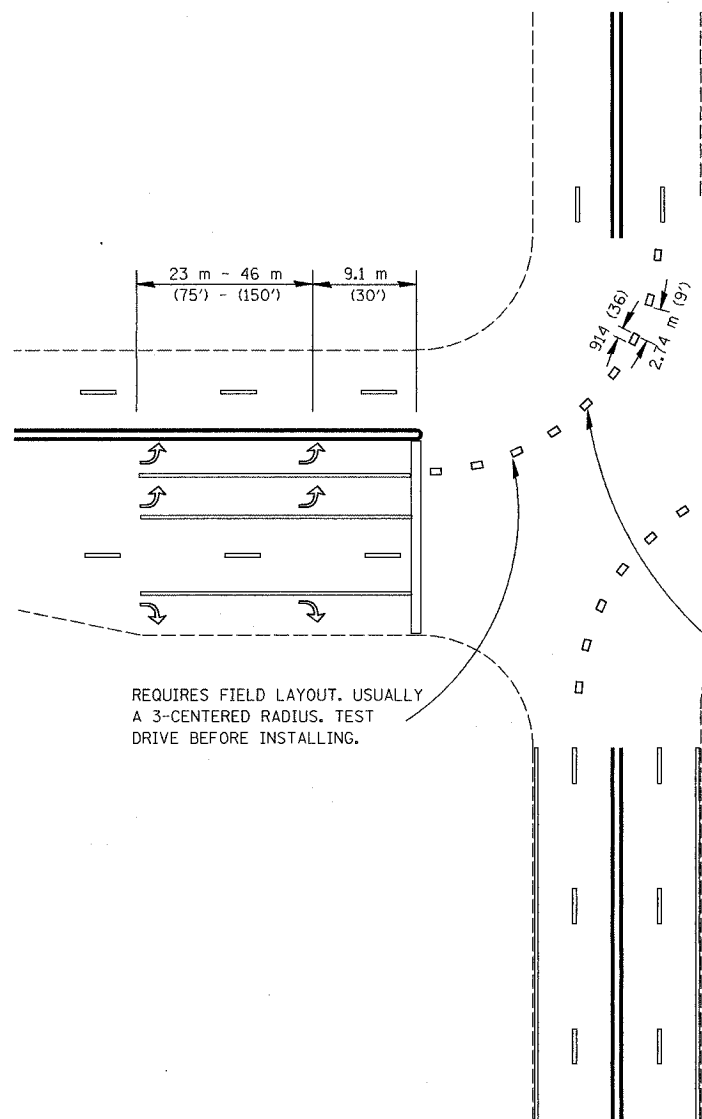
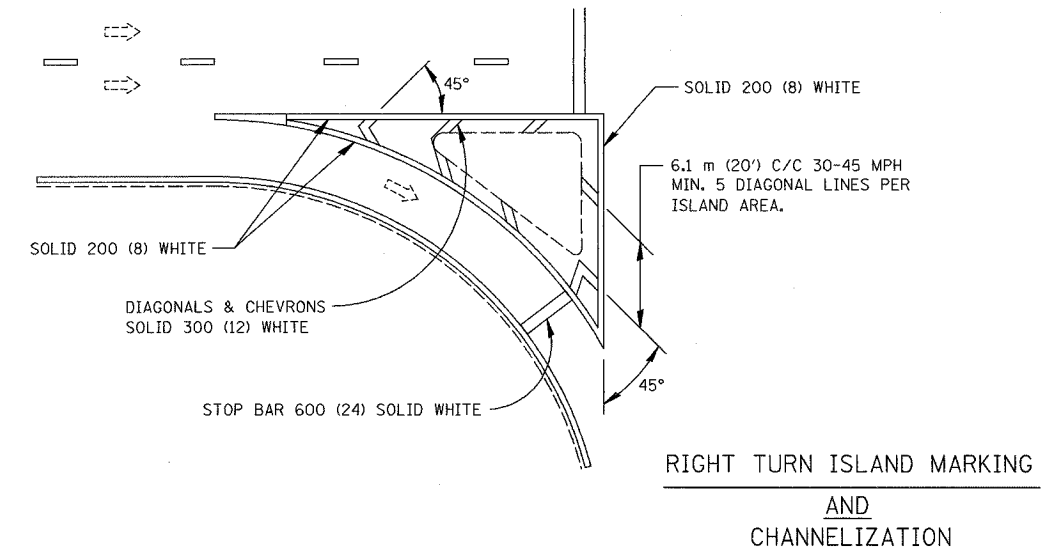


F.A. RTE.	SECTION	COUNTY	TOTAL SHEETS	SHEET NO.
74	(72-7)R-3	PEORIA	1360	417
STA.	TO STA.			
FED. ROAD DIST. NO.	ILLINOIS	FED. AID PROJECT		

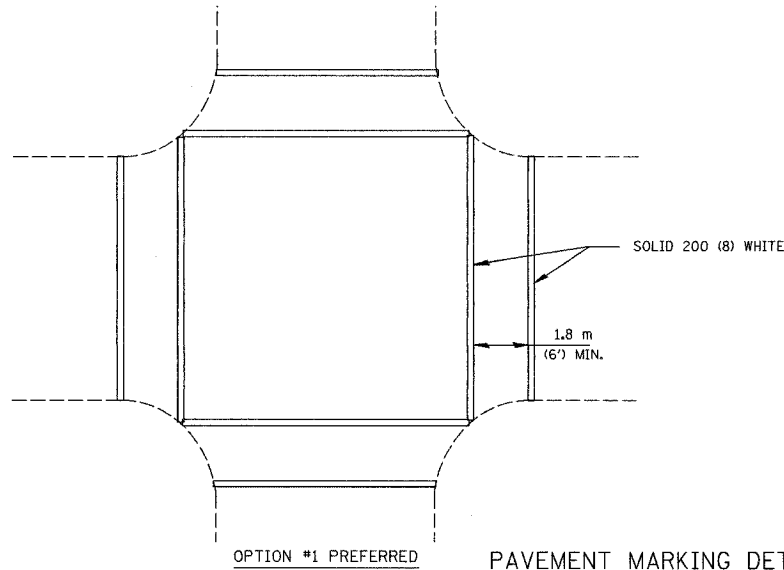
- NOTES:
1. USE LARGE OR 2.4m (8') LETTERS & SYMBOLS.
 2. MARKINGS LAYOUT FOR A SINGLE LEFT TURN LANE SIMILAR TO THE INSIDE DUAL LEFT TURN LANE.



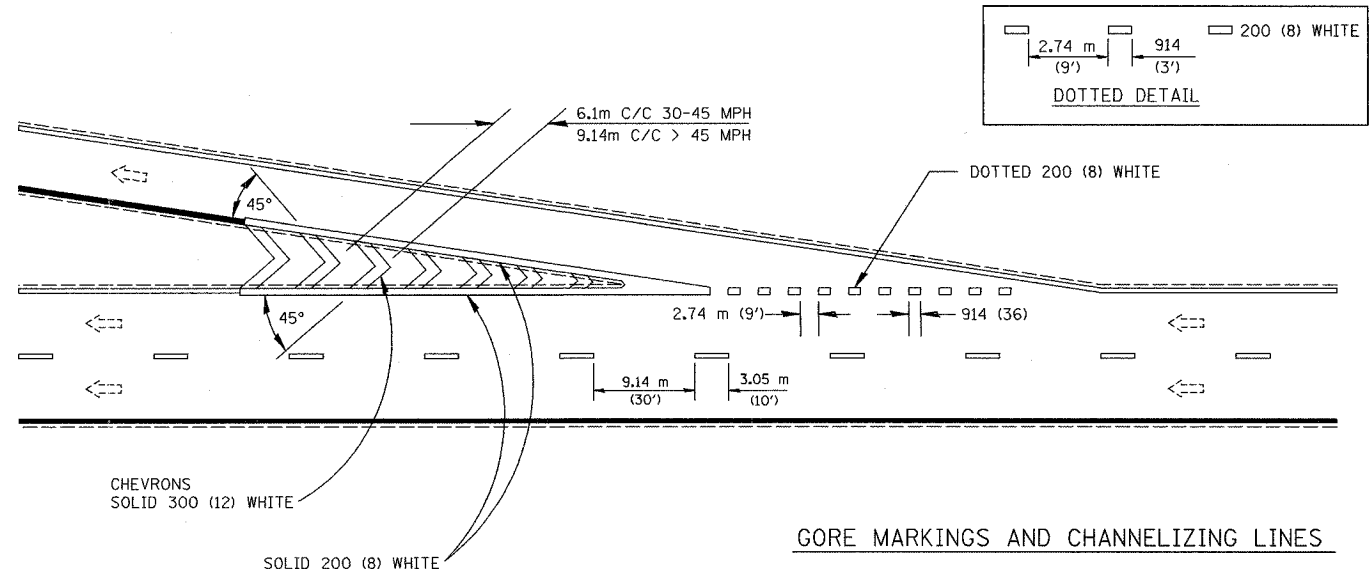
LEFT TURN CHANNELIZATION
DUAL LEFT TURN LANES



RIGHT TURN ISLAND MARKING
AND
CHANNELIZATION



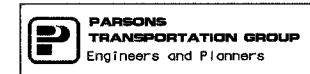
OPTION #1 PREFERRED
PAVEMENT MARKING DETAILS CROSSWALKS



GORE MARKINGS AND CHANNELIZING LINES

REVISIONS	
NAME	DATE

ILLINOIS DEPARTMENT OF TRANSPORTATION
PAVEMENT MARKING DETAILS
FAI ROUTE 74 (I-74) (WB)
WAR MEMORIAL DRIVE
DRAWN BY CADD
CHECKED BY KJW
DATE 11/12/04



All dimensions are in millimeters (inches) unless otherwise noted.

NOT TO SCALE