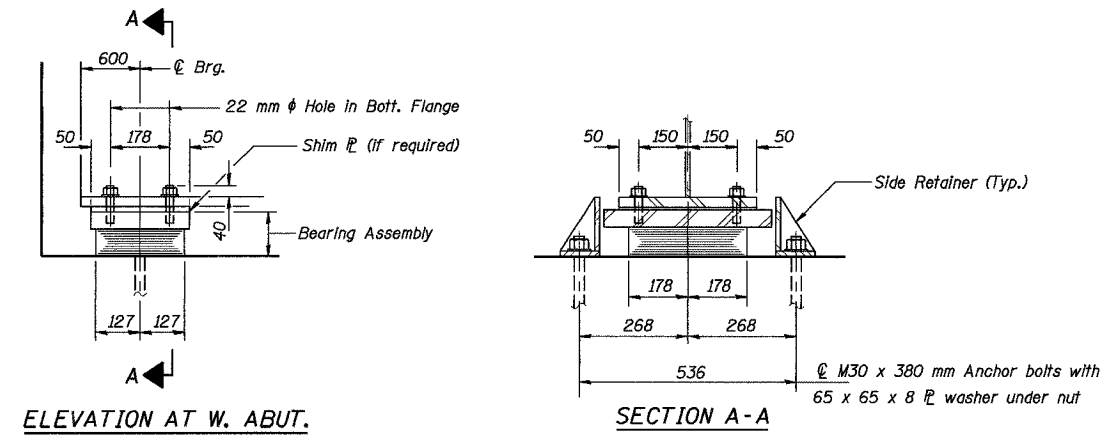
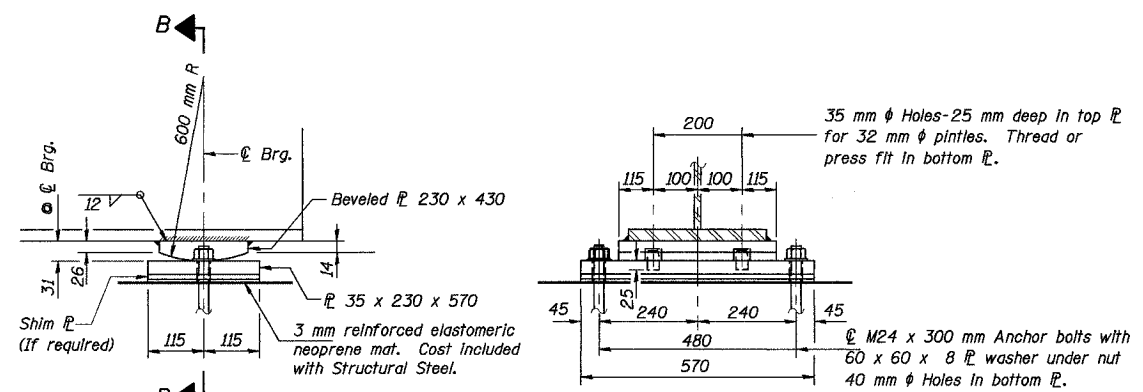


ROUTE NO.	SECT.	COUNTY	SHEET NO.	TOTAL SHEETS
F.A.I. 74	(72-7) R-3	PEORIA	430	1360
FED. ROAD DIST. NO. 7	ILLINOIS	FED. AID PROJECT		

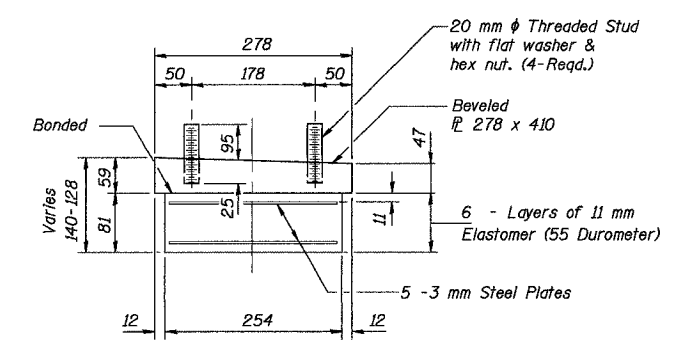
CONTRACT NO. 68200



ELEVATION AT W. ABUT.
TYPE I ELASTOMERIC EXP. BRG.

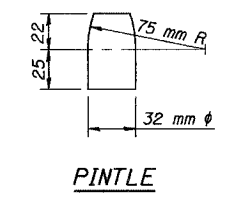


ELEVATION AT E ABUT.
FIXED BEARING



BEARING ASSEMBLY

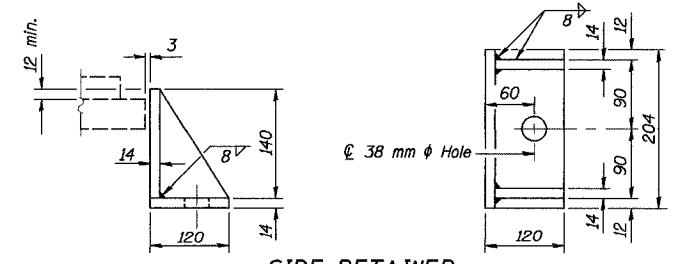
Note: Shim plates shall not be placed under Bearing Assembly.



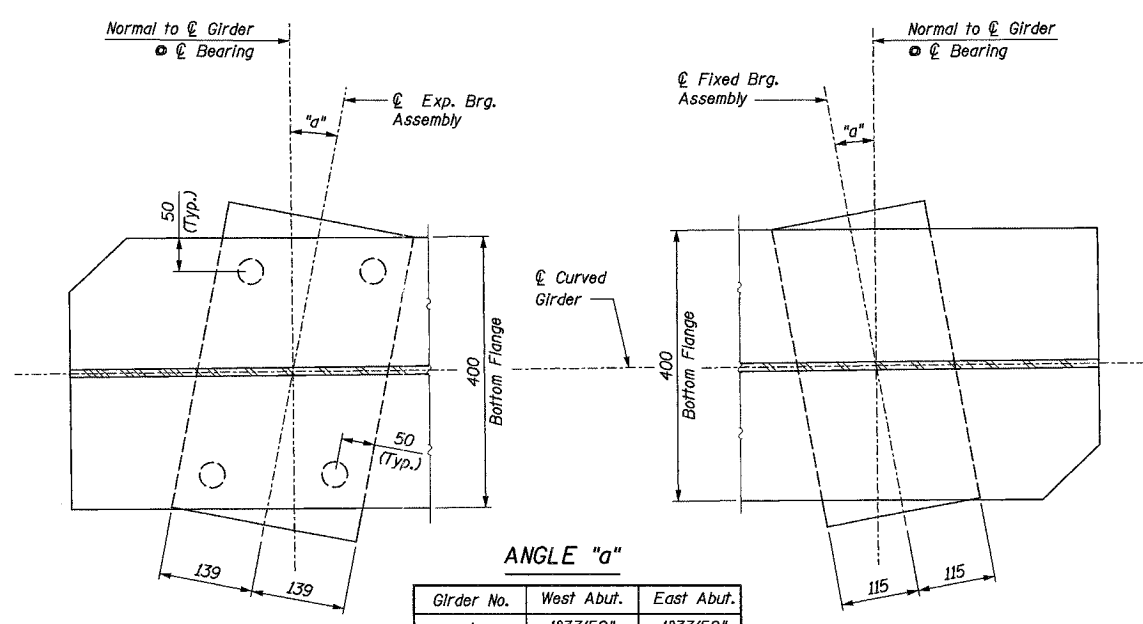
PINTLE

BILL OF MATERIAL

Item	Unit	Total
Elastomeric Bearing Assembly Type I	Each	6



SIDE RETAINER
Equivalent rolled angle with stiffeners will be allowed in lieu of welded plates. Mass included with Structural Steel.



PLAN (WEST ABUTMENT)

ANGLE "a"

Girder No.	West Abut.	East Abut.
1	1°33'52"	1°33'52"
2	1°33'23"	1°33'23"
3	1°32'54"	1°32'54"
4	1°32'26"	1°32'26"
5	1°31'58"	1°31'58"
6	1°31'30"	1°31'30"

PLAN (EAST ABUTMENT)

Notes:
All structural steel shall be AASHTO M 270M Grade 345.
Anchor bolts at fixed bearings may be built into the masonry.
See Dwg. No. A-1 for Anchor Bolt Installation.
All dimensions are in millimeters (mm) unless noted otherwise.

REVISION	DATE	DESCRIPTION
STATE OF ILLINOIS DEPARTMENT OF TRANSPORTATION FIXED & ELASTOMERIC EXPANSION BEARINGS RAMP A-3 OVER RAMP B-5 F.A.I. ROUTE 74 (SECTION 72-7)R-3 PEORIA COUNTY STA. 10+418.515 (RAMP A-3) STRUCTURE NUMBER 072-0172 PARSONS TRANSPORTATION GROUP CHICAGO, ILLINOIS		
DRAWING NO. BRG-1	SCALE N.T.S.	DATE 11/16/04
		SHEET NO. 11

Date: 11/19/2004 Time: 09:42:49 AM File: P:\643996\structural\A3\072-0172-0172-Sheet\Tracings\BRG0001-A0720172.dgn

Designed by: AK
Checked by: WEE
Drafted by: RKS
Checked by: WEE