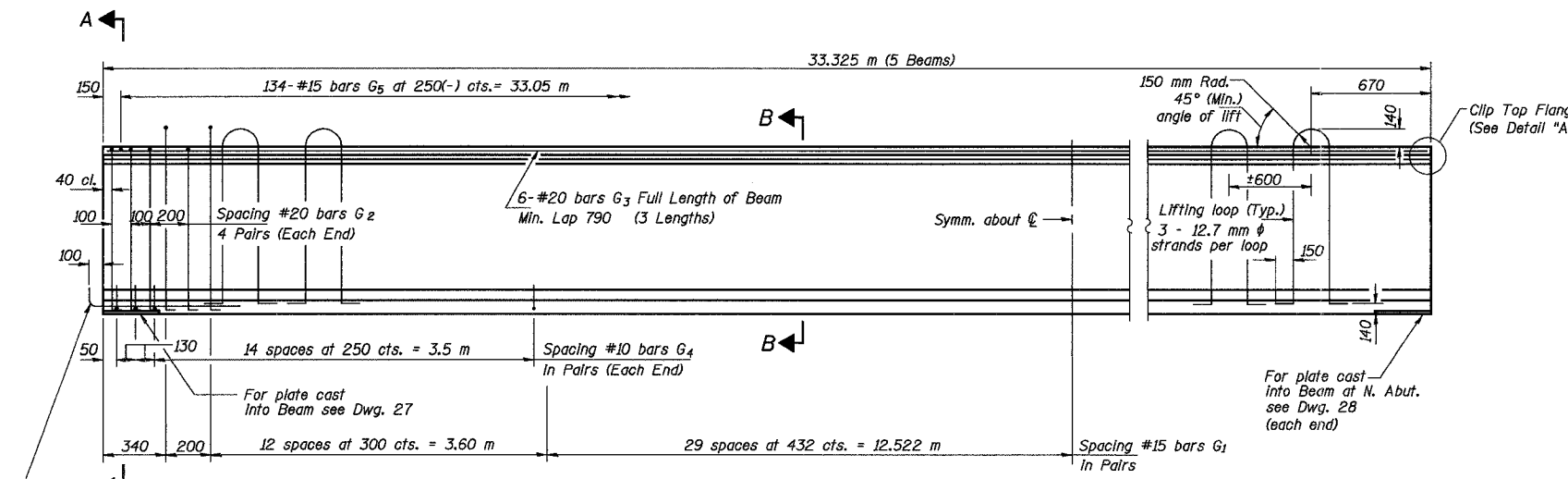


ROUTE NO.	SECT.	COUNTY	SHEET NO.	TOTAL SHEETS
F.A.I. 74	(72-7) R-3	PEORIA	469	1360
FED. ROAD DIST. NO. 7		ILLINOIS	FED. AID PROJECT	

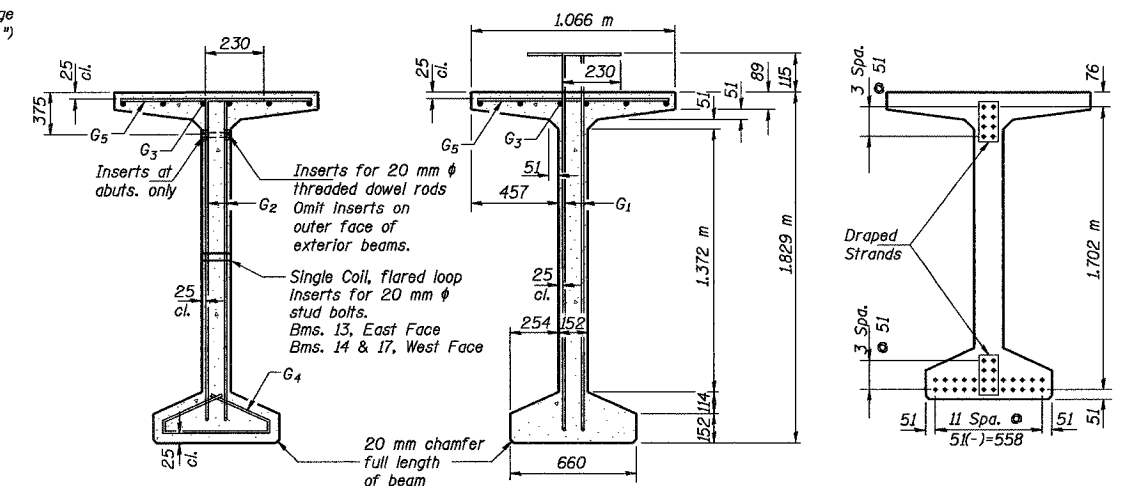
CONTRACT NO. 68200

Date: 11/19/2004 Time: 0:04:45 AM

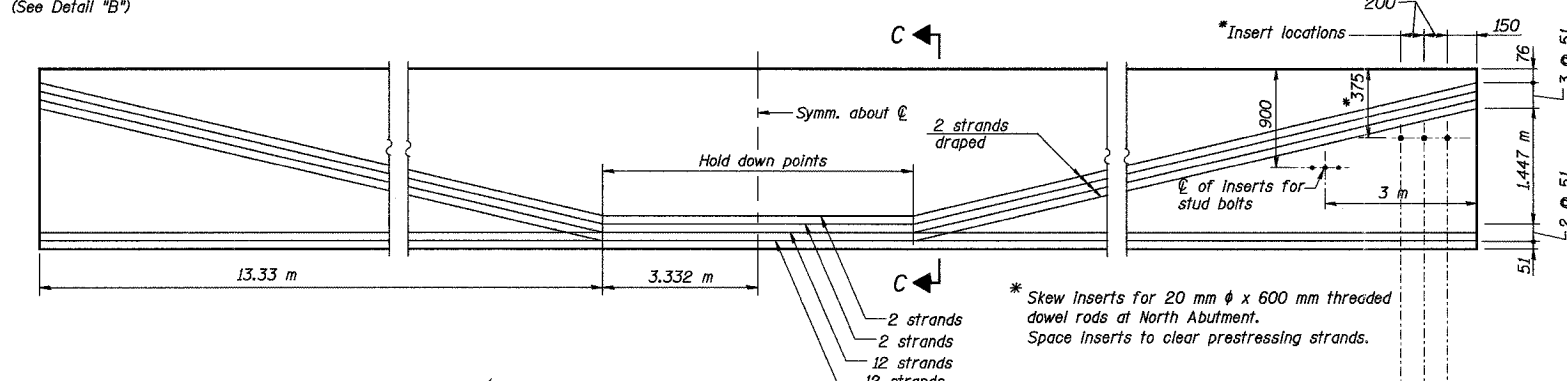
Filename: P:\643996\struc\Drawings\SD0001-10720183.dgn



ELEVATION OF BEAM
(Showing Reinforcement & Dimensions)

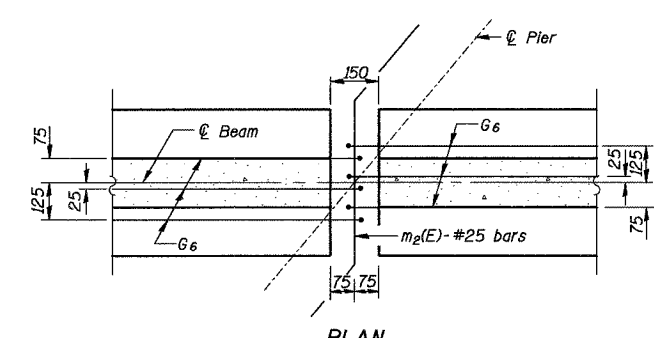


SECTION A-A **SECTION B-B** **SECTION C-C**

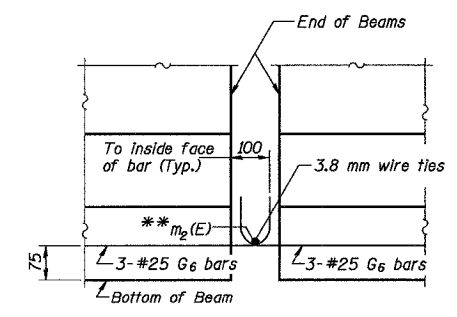


ELEVATION OF BEAM
(Showing Prestressing Steel)
East Face Shown

* Skew inserts for 20 mm ϕ x 600 mm threaded dowel rods at North Abutment. Space inserts to clear prestressing strands.

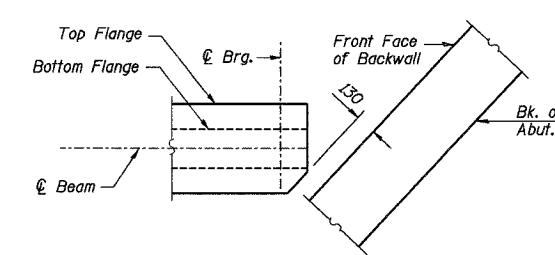


PLAN



ELEVATION
DETAIL "B"

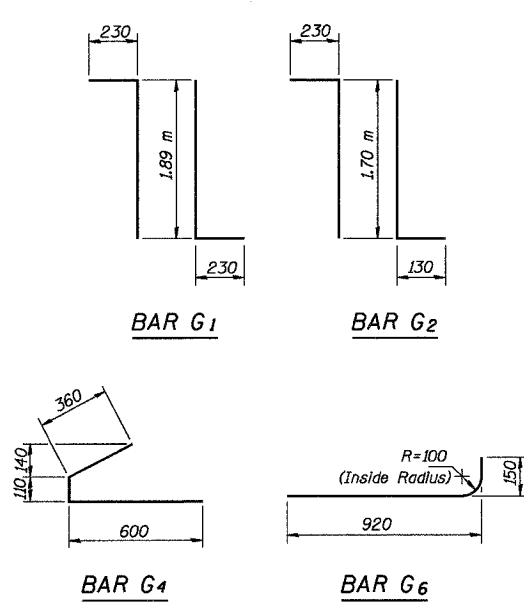
** Tie #25 $m_2(E)$ with 3.8 mm wire tightly fastened to prevent any movement between bars.



DETAIL "A"

Notes:

- All Inserts and threaded dowel rods for Inserts, reinforcing and Prestressing Steel, and other items which are cast into the Precast Concrete Bulb T-Beams shall be included in the contract unit price per meter of "Furnishing and Erecting Precast Prestressing Concrete Bulb T-Beams, 1829 mm".
- Inserts for 20 mm ϕ threaded dowel rods are to be two strut, coil type for interior beams and single coil, flared loop type for exterior beams.
- Prestressing steel shall be uncoated high strength, low relaxation 7-wire strand ($F_u = 1860$ MPa). The nominal diameter shall be 12.7 mm and the nominal cross-sectional area shall be 98.71 mm².
- Required release strength, f'_{ci} , shall be 35 MPa.
- Non-prestressing steel shall conform to AASHTO designation M 31M, M 42M or M 53M Grade 400.
- Reinforcement bars designated (E) shall be epoxy coated.
- Lifting loops shall be 3 - 12.7 mm ϕ strands ($F_u = 1860$ MPa), as shown.
- All dimensions are in millimeters (mm) except as noted.



BAR G1 **BAR G2**
BAR G4 **BAR G6**

*** BAR LIST**

Bar	No.	Size	Length (m)	Shape
G1	170	#15	2.35	TL
G2	16	#20	2.06	TL
G3	18	#20	11.65	—
G4	68	#10	1.07	—
G5	134	#15	1.01	—
G6	3	#25	1.07	—

* For one beam only.

BILL OF MATERIAL

Item	Unit	Total
Furnishing and Erecting Precast Prestressing Concrete Bulb T-Beams, 1829 mm	m	166.62

REVISION	DATE	DESCRIPTION	
STATE OF ILLINOIS DEPARTMENT OF TRANSPORTATION 1829 mm PPC BULB T-BEAM - BEAM NOS. 13-17 SPAN 4 RAMPS B-1 AND B-4 OVER F.A.I. ROUTE 74 (I-74) RAMPS A-3 AND B-3 F.A.I. ROUTE 74 SECTION (72-7) R-3 PEORIA COUNTY STATION 10+779.03 STRUCTURE NUMBER 072-0183 PARSONS TRANSPORTATION GROUP CHICAGO, ILLINOIS			
DRAWING NO.	SCALE	DATE	SHEET NO.
26	N.T.S.	2-18-03	26