

ROUTE NO.	SECT.	COUNTY	SHEET NO.	TOTAL SHEETS
F.A.I. 74	(72-7) R-3	PEORIA	488	1360
FED. ROAD DIST. NO. 7		ILLINOIS	FED. AID PROJECT	

CONTRACT NO. 68200

Joint Size	"C" at 10 °C	"D" at 10 °C	
50	50	40 Min.	At S. Abut.
65	65	45 Min.	
100	75	65 Min.	At N. Abut.

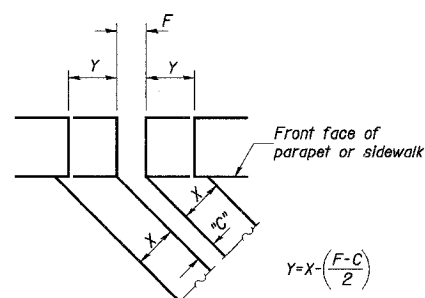
INSTALLATION NOTES

- Install continuous seal in roadway, parapet, curb, and sidewalk.
- Install anchor blocks as indicated.

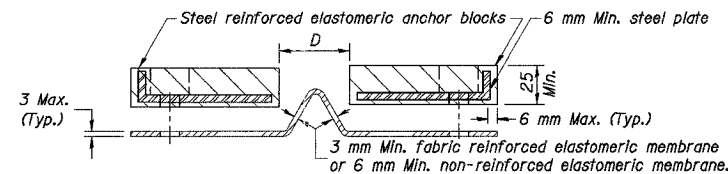
NOTE A: Maximum spacing of anchor bolts shall be 300 centers.

SKEW LIMITATIONS

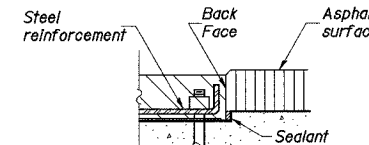
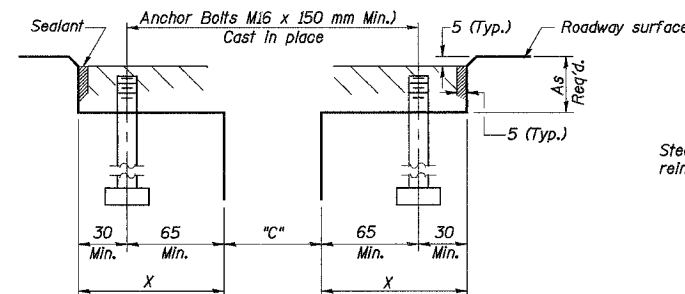
The details of the anchor blocks and the elastomeric membrane in the parapet, as shown, are for up to 50° skews. For skews greater than 50°, the anchor blocks and the elastomeric membrane, installed according to dimension "D", might require modifications to insure a minimum clearance of 40 mm from centerline of anchor studs to edge of parapet opening. The anchor blocks and the elastomeric membrane shall also be installed to the top of the parapet with the anchor studs spaced at ±300 cts.



FORMING BLOCKOUT SKETCH



CROSS SECTION



ANCHOR BLOCK WITH ASPHALT SURFACE

GENERAL NOTES

Continuous Seal Neoprene Expansion Joint shall consist of molded anchor blocks of elastomer and steel, field assembled over continuous lengths of elastomeric membrane.

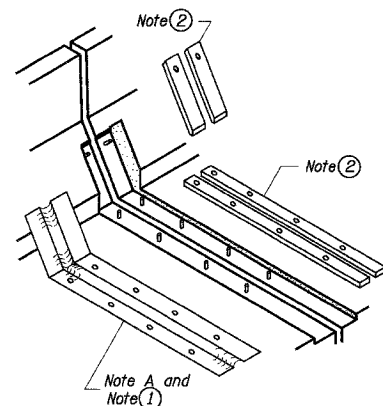
The elastomeric membrane shall be premolded with a single or a double upward convolution that will have a "memory" to return to its molded position upon joint closure.

The convolution length shall be such that the extended length will not be greater than the manufactured length when the joint is fully expanded in its design range and will not protrude above the anchor blocks when the joint is fully compressed.

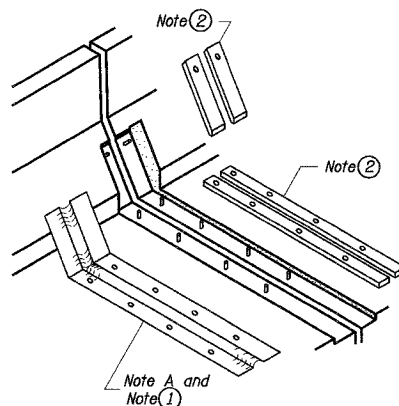
Joint openings shall be adjusted according to Article 503.10(c) of the Standard Specifications when the deck is poured at an ambient temperature other than 10 °C.

The parapet and roadway membrane shall be made continuous by an approved vulcanizing process. Lapping will not be permitted.

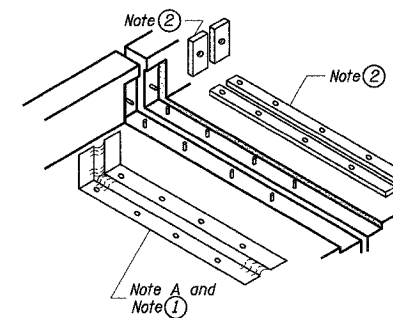
All dimensions are in millimeters (mm) except as noted.



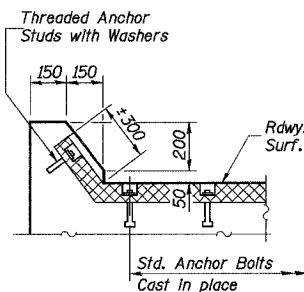
AT PARAPET



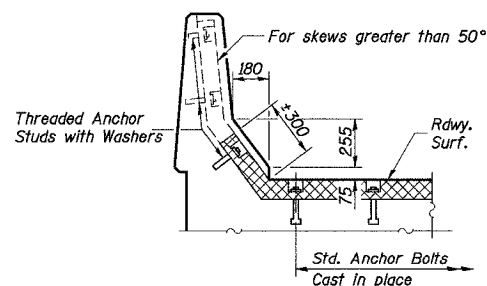
AT MEDIAN



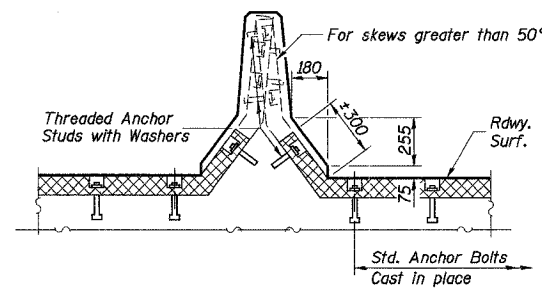
AT WALL



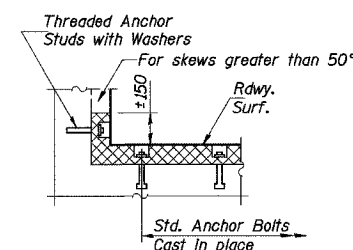
AT CURB



AT PARAPET



AT MEDIAN



AT WALL

EJ-CS(M) 4-30-97

REVISION	DATE	DESCRIPTION
STATE OF ILLINOIS DEPARTMENT OF TRANSPORTATION		
NEOPRENE EXPANSION JOINT DETAILS		
RAMPS B-1 AND B-4 OVER F.A.I. ROUTE 74 (I-74) RAMPS A-3 AND B-3 F.A.I. ROUTE 74 SECTION (72-7) R-3 PEORIA COUNTY STATION 10+779.03 STRUCTURE NUMBER 072-0183		
PARSONS TRANSPORTATION GROUP CHICAGO, ILLINOIS		
DRAWING NO. 45	SCALE N.T.S.	DATE 2-18-03
		SHEET NO. 45

Times: 0:01:49 AM

Date: 11/19/2004

Filename: P:\643996\structure\072-0183\Sheet\Tracings\JT0001-140720183.dgn