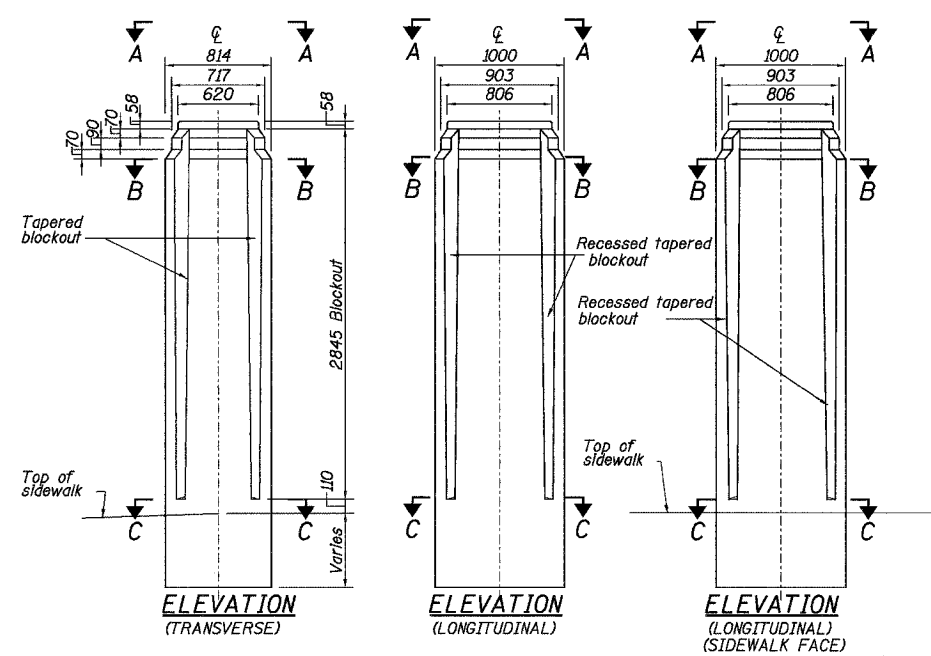
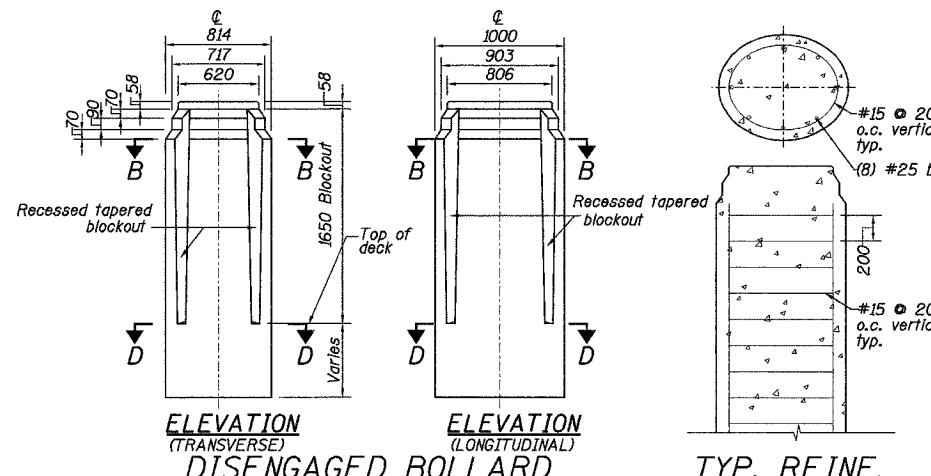


ROUTE NO.	SECT.	COUNTY	SHEET NO.	TOTAL SHEETS
F.A.I. 74	(72-7) R-3	PEORIA	493	1360
FED. ROAD DIST. NO. 7	ILLINOIS	FED. AID PROJECT		

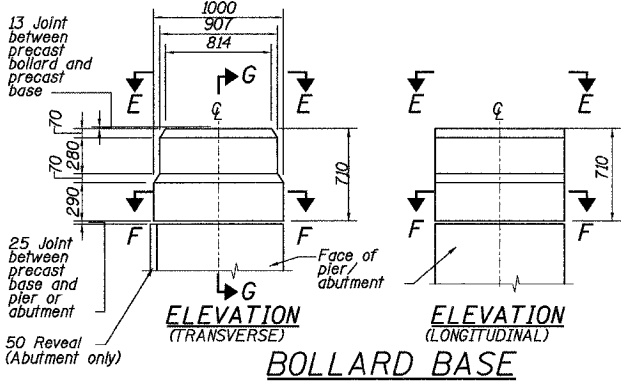
CONTRACT NO. 68200



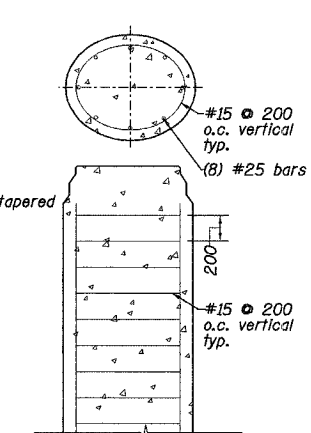
ENGAGED BOLLARD



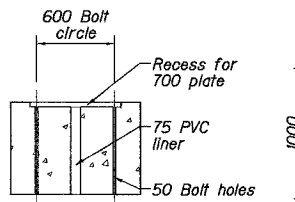
DISENGAGED BOLLARD



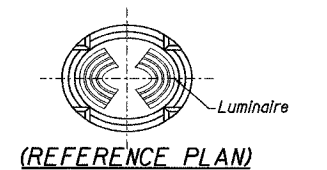
BOLLARD BASE



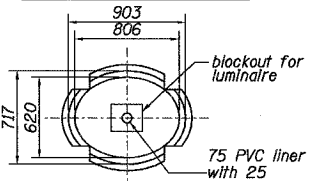
TYP. REINF.
(MIN. REINFORCEMENT SHOWN
FINAL DESIGN BY FABRICATOR)
(SIMILAR REINFORCEMENT
IN BOLLARD BASE)



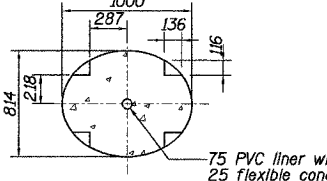
SECTION G-G (BOLLARD BASE)
BOLLARD SECTIONS



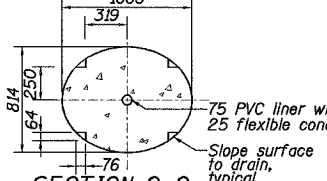
(REFERENCE PLAN)



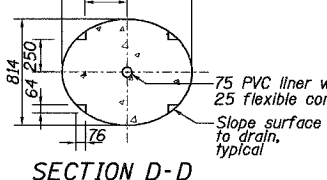
SECTION A-A (ENGAGED BOLLARD)



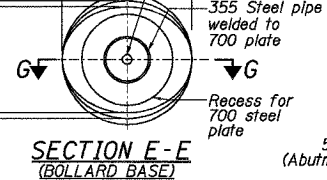
SECTION B-B (DISENGAGED BOLLARD)



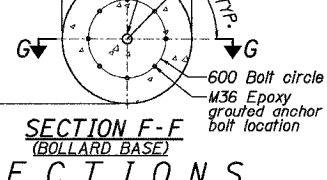
SECTION C-C (ENGAGED BOLLARD)



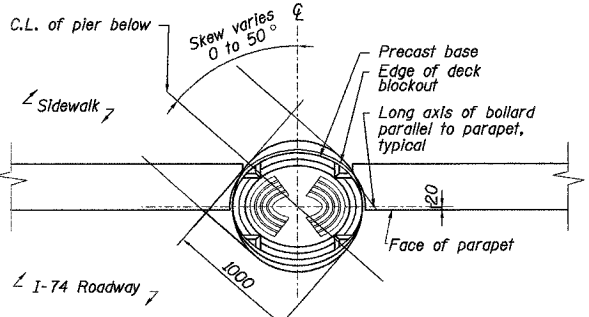
SECTION D-D (DISENGAGED BOLLARD)



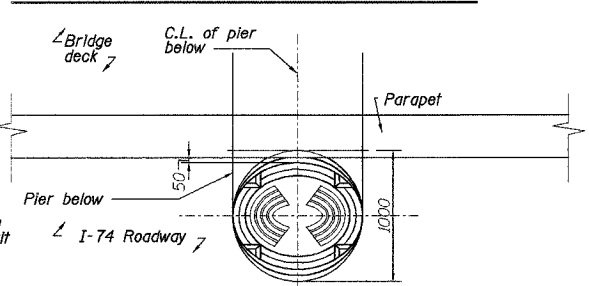
SECTION E-E (BOLLARD BASE)



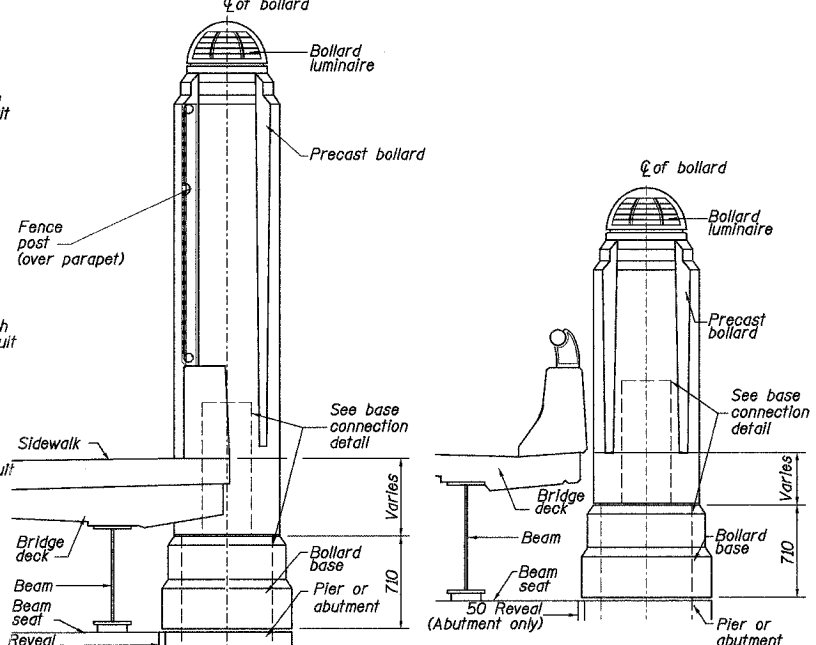
SECTION F-F (BOLLARD BASE)



PLAN AT ENGAGED BOLLARD

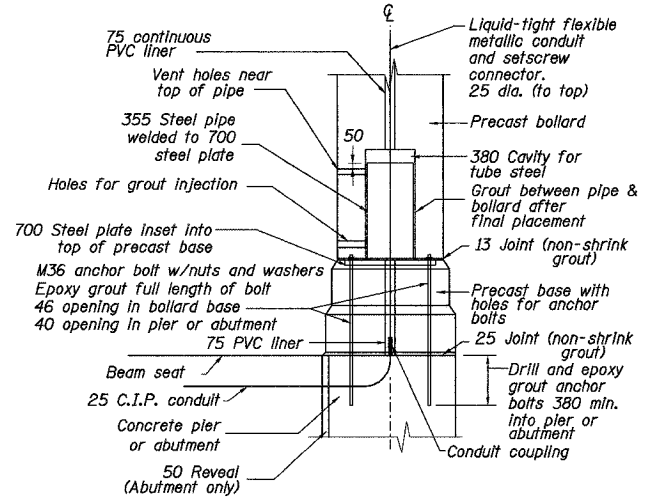


PLAN AT DISENGAGED BOLLARD

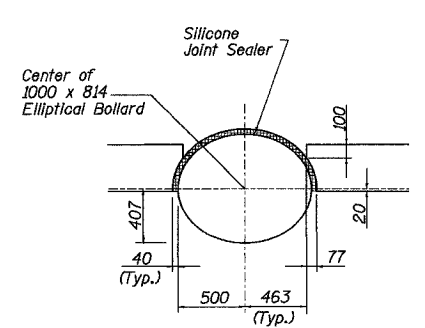


ENGAGED BOLLARD **DISENGAGED BOLLARD**
REFERENCE ELEVATIONS

- NOTES:**
- BOLLARDS, BOLLARD BASES, BOLLARD LUMINAIRES, AND CONNECTION COMPONENTS (UNLESS OTHERWISE NOTED) ARE SUPPLIED BY OTHERS. FABRICATION DETAILS AND DIMENSIONS ARE PRESENTED FOR INFORMATION ONLY. INSTALLATION IS INCLUDED IN THIS CONTRACT.
 - SOME BOLLARD BASE CONNECTION DETAILS NOT SHOWN. FINAL CONNECTION DESIGN AND DETAILING BY BOLLARD FABRICATOR.
 - NON-SHRINK GROUT, EPOXY GROUT, FLEXIBLE CONDUIT AND CONNECTOR, AND SILICONE JOINT SEALER TO BE SUPPLIED AND INSTALLED BY INSTALLATION CONTRACTOR.



BASE CONNECTION DETAIL



SILICONE JOINT SEALER
Engaged Bollard

REVISION	DATE	DESCRIPTION
STATE OF ILLINOIS DEPARTMENT OF TRANSPORTATION		
PRECAST CONCRETE BOLLARD		
RAMPS B-1 AND B-4 OVER F.A.I. ROUTE 74 (I-74) RAMPS A-3 AND B-3 F.A.I. ROUTE 74 SECTION (72-7) R-3 PEORIA COUNTY STATION 10+779.03 STRUCTURE NUMBER 072-0183		
PARSONS TRANSPORTATION GROUP CHICAGO, ILLINOIS		
DRAWING NO. 50	SCALE N.T.S.	DATE 2-18-03
		SHEET NO. 50