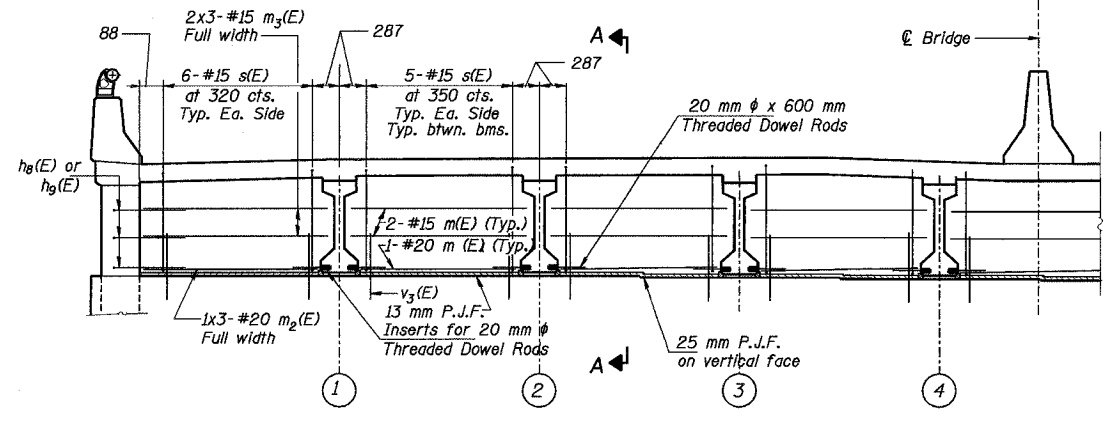


ROUTE NO.	SECT.	COUNTY	SHEET NO.	TOTAL SHEETS
F.A.I. 74	(72-7) R-3	PEORIA	507	1360
FED. ROAD DIST. NO. 7		ILLINOIS	FED. AID PROJECT	

CONTRACT NO. 68200

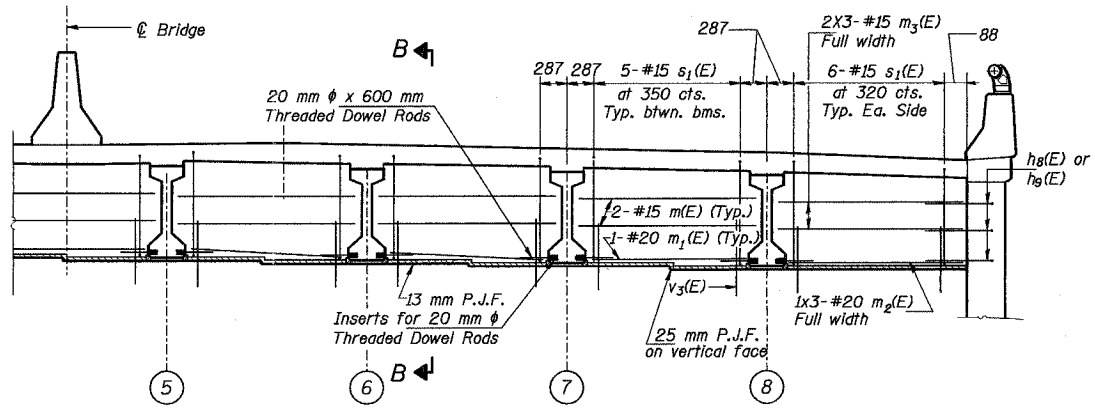
**NORTH APPROACH SPAN
BILL OF MATERIAL**

Bar	No.	Size	Length (m)	Shape
a(E)	92	#15	9.00	—
a ₁ (E)	140	#15	8.85	—
a ₂ (E)	84	#20	1.20	—
a ₃ (E)	12	#20	8.87	—
a ₄ (E)	92	#15	7.64	—
b(E)	118	#15	8.27	—
b ₁ (E)	180	#15	5.75	—
c(E)	114	#15	0.97	—
d ₁ (E)	108	#15	1.49	—
d ₂ (E)	28	#15	0.64	—
d ₃ (E)	6	#15	1.05	—
d ₄ (E)	54	#15	0.82	—
d ₅ (E)	59	#15	1.01	—
d ₆ (E)	59	#15	1.49	—
d ₇ (E)	12	#15	1.34	—
e(E)	17	#15	5.40	—
e ₁ (E)	12	#25	8.61	—
e ₂ (E)	4	#15	1.37	—
e ₃ (E)	17	#15	4.70	—
e ₃₀ (E)	17	#15	5.50	—
e ₃₁ (E)	12	#15	8.27	—
m(E)	36	#15	2.45	—
m ₁ (E)	18	#20	2.05	—
m ₂ (E)	6	#20	8.87	—
m ₃ (E)	12	#15	8.77	—
s(E)	47	#15	2.46	—
s ₁ (E)	47	#15	2.73	—
v ₂₀ (E)	86	#15	0.90	—
Reinforcement Bars, Epoxy Coated		kg	10,800	
Concrete Superstructure		m ³	93.6	



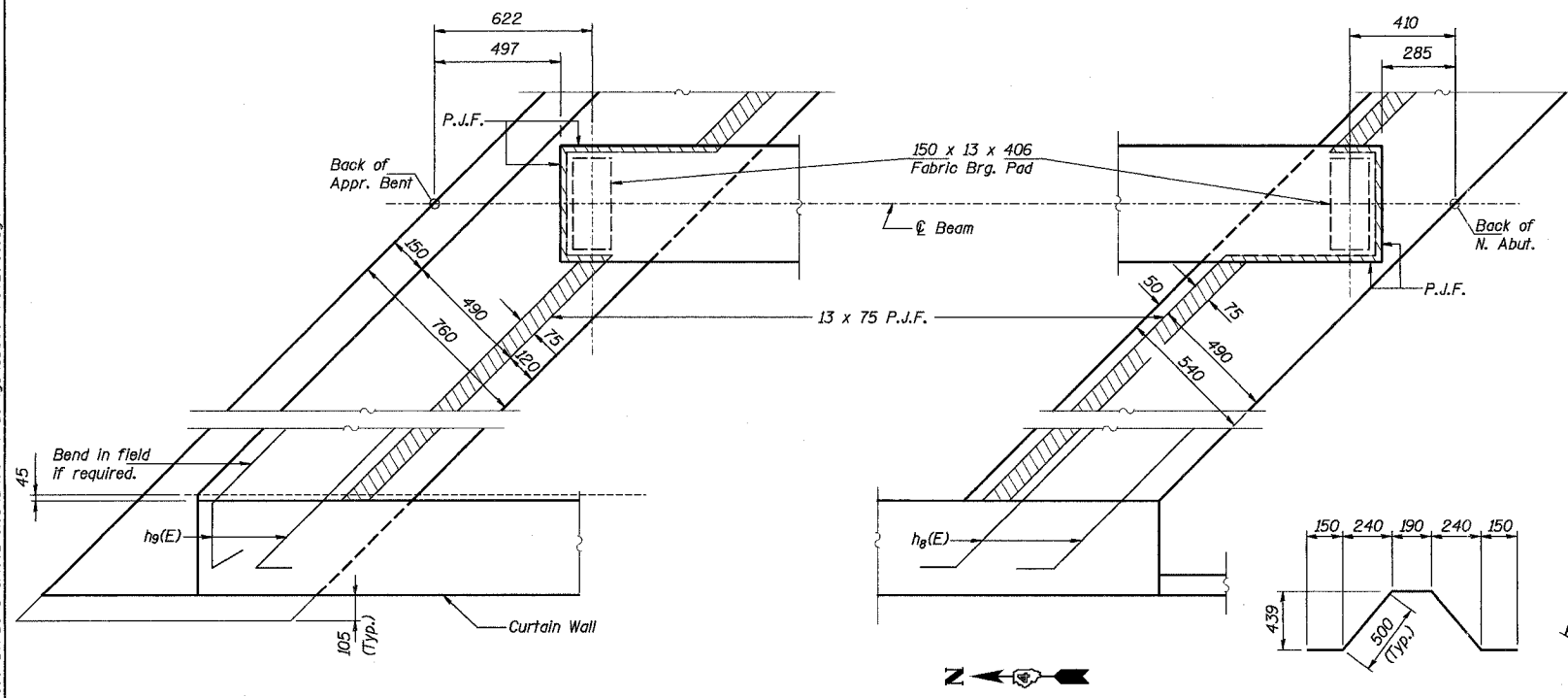
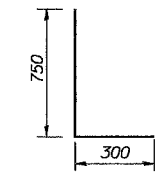
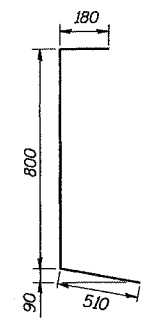
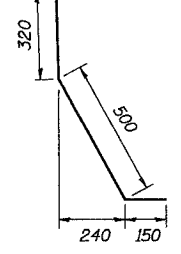
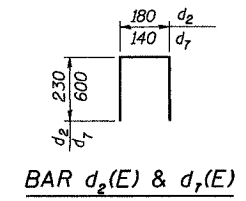
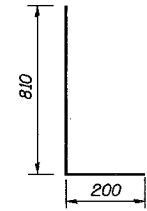
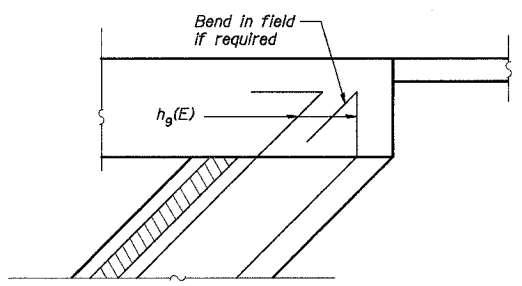
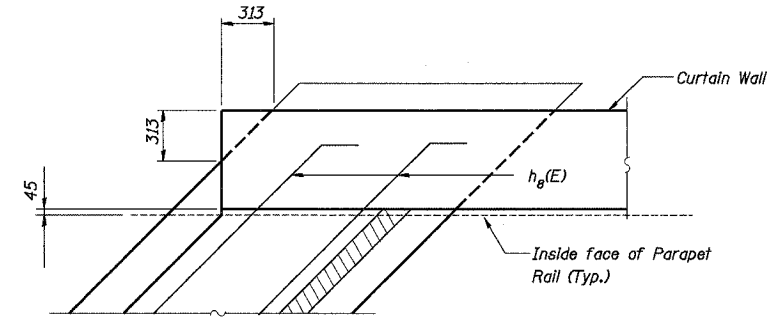
DIAPHRAGM AT NORTH APPROACH BENT

For location of m(E), m₁(E), m₂(E), and m₃(E) bars see Section A-A on sheet 7. (Looking South)



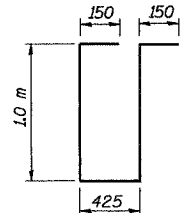
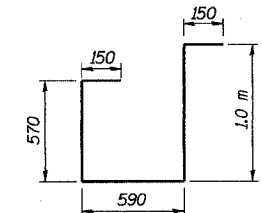
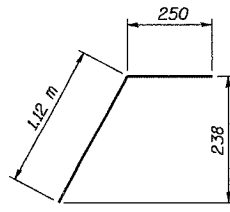
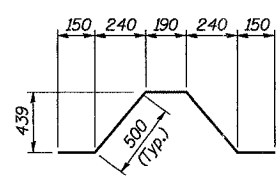
DIAPHRAGM AT NORTH ABUTMENT

For location of m(E), m₁(E), m₂(E), and m₃(E) bars see Section B-B on sheet 7. (Looking South)



PARTIAL PLAN

Top of Appr. Bent and N. Abut. Diaphragm



Notes:
Reinforcement bars designated (E) shall be epoxy coated.
Bars indicated thus 1 x 2-#15 etc. indicates 1 line of bars with 2 lengths per line.
See sheet 22 and 23 for h₈(E), h₉(E) and v₃(E) bars.
Work this sheet with sheet 7.
All dimensions are in millimeters (mm) except as noted.
For Section A-A and B-B see sheet 7.

REVISION	DATE	DESCRIPTION
STATE OF ILLINOIS DEPARTMENT OF TRANSPORTATION		
DIAPHRAGM DETAILS - SPAN 1		
RAMPS B-3 AND B-5 OVER WAR MEMORIAL DR. AND RAMP B-6 F.A.I. ROUTE 74 SECTION (72-7) R-3 PEORIA COUNTY STA. 10+618.61 (RAMP B-3) STA. 10+472.60 (RAMP B-5) STRUCTURE NUMBER 072-0190		
PARSONS TRANSPORTATION GROUP CHICAGO, ILLINOIS		
DRAWING NO. 8	SCALE N.T.S.	DATE 2-21-03
		SHEET NO. 8

Designed by: MBQ
Checked by: AK
Drafted by: FTE
Checked by: AK

Date: 11/22/2004 Time: 09:09:15 AM File: P:\643986\structural\072-0190\sheet\TracIngs\S00001-10720190.dgn