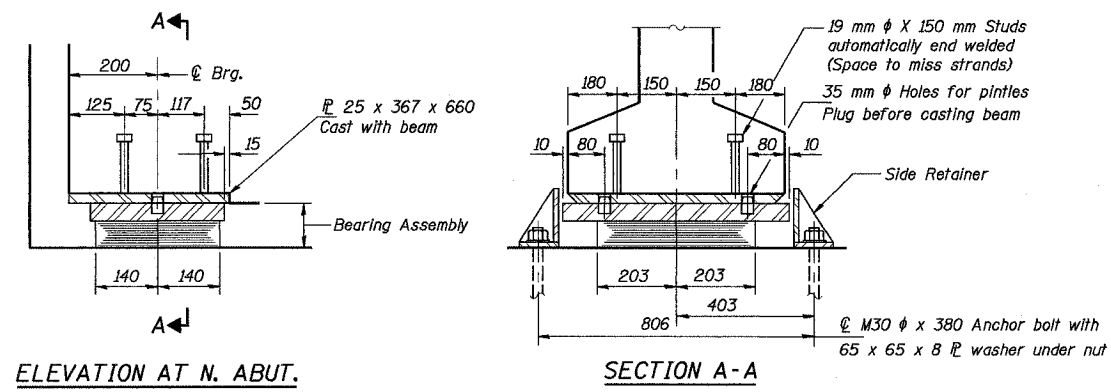


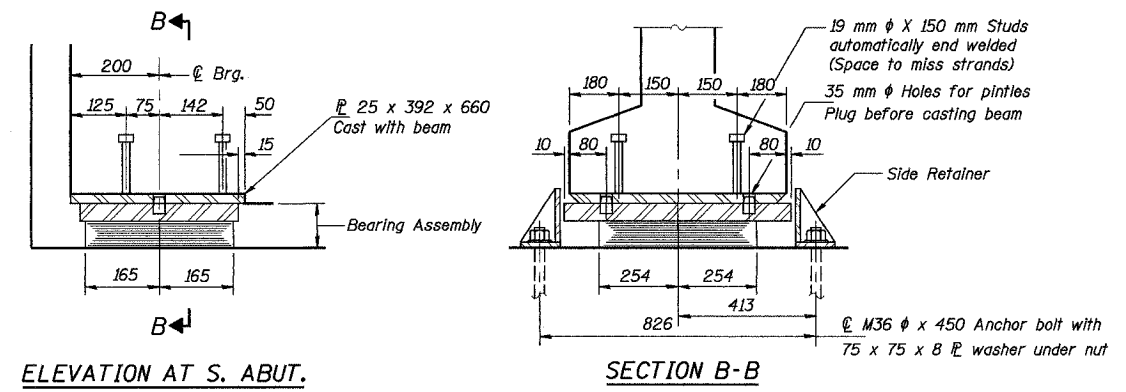
ROUTE NO.	SECT.	COUNTY	SHEET NO.	TOTAL SHEETS
F.A.I. 74	(72-7) R-3	PEORIA	517	1360
FED. ROAD DIST. NO. 7	ILLINOIS	FED. AID PROJECT		

CONTRACT NO. 68200



ELEVATION AT N. ABUT.

SECTION A-A

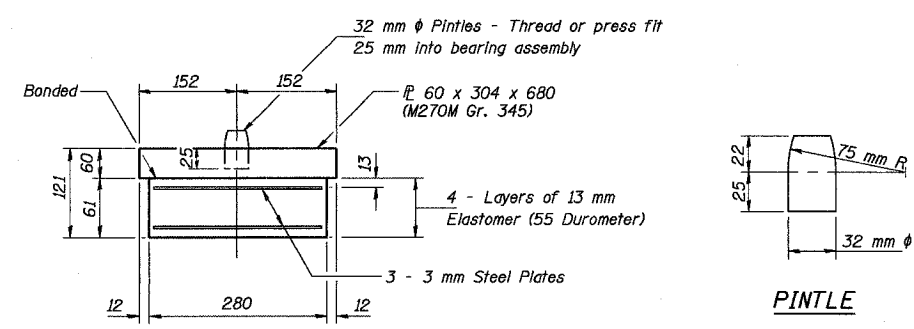


ELEVATION AT S. ABUT.

SECTION B-B

TYPE I ELASTOMERIC EXP. BRG. AT NORTH ABUTMENT

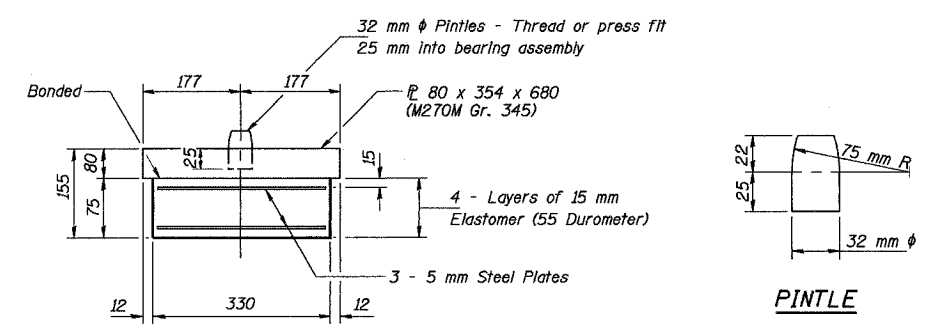
TYPE I ELASTOMERIC EXP. BRG. AT SOUTH ABUTMENT



BEARING ASSEMBLY (N. ABUTMENT)

Note: Shim plates shall not be placed under Bearing Assembly.

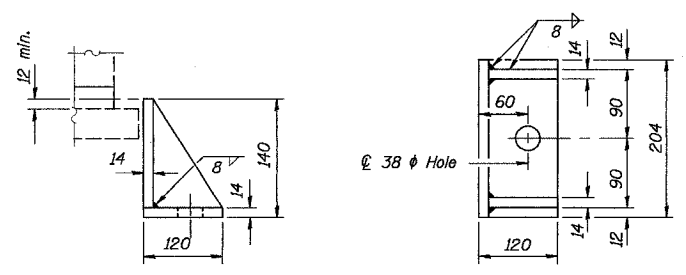
PINTLE



BEARING ASSEMBLY (S. ABUTMENT)

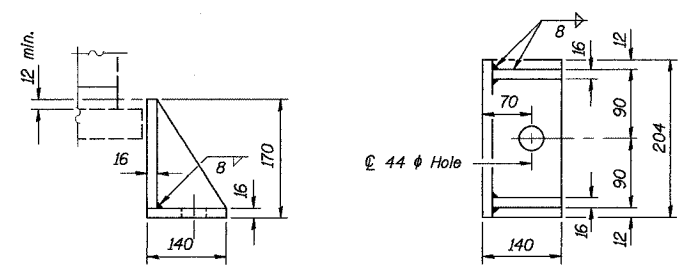
Note: Shim plates shall not be placed under Bearing Assembly.

PINTLE



SIDE RETAINER (N. ABUTMENT)

Equivalent rolled angle with stiffeners will be allowed in lieu of welded plates. Mass included with structural steel.



SIDE RETAINER (S. ABUTMENT)

Equivalent rolled angle with stiffeners will be allowed in lieu of welded plates. Mass included with structural steel.

Notes:
 After beams have been erected holes at expansion bearings shall be drilled and anchor bolts grouted in place.
 See sheet 38 for anchor bolt installation.
 All dimensions are in millimeters (mm) except as noted.

BILL OF MATERIAL

Item	Unit	Total
Elastomeric Bearing Assembly, Type I	Each	18

REVISION	DATE	DESCRIPTION	
STATE OF ILLINOIS DEPARTMENT OF TRANSPORTATION NORTH AND SOUTH ABUTMENT EXPANSION BEARING DETAILS RAMP B-3 AND B-5 OVER WAR MEMORIAL DR. AND RAMP B-6 F.A.I. ROUTE 74 SECTION (72-7) R-3 PEORIA COUNTY STA. 10+618.61 (RAMP B-3) STA. 10+472.60 (RAMP B-5) STRUCTURE NUMBER 072-0190 PARSONS TRANSPORTATION GROUP CHICAGO, ILLINOIS			
DRAWING NO.	SCALE	DATE	SHEET NO.
20	N.T.S.	2-21-03	20

Time: 09:25:15 AM
 Date: 11/22/2004
 File name: P:\643996\str\lctur\072-0190\sheet\Tr\ocings\BRO00-1A0720190.dgn

Designed by: MBO
 Checked by: AK/DL
 Drafted by: JV
 Checked by: AK