

ROUTE NO.	SECT.	COUNTY	SHEET NO.	TOTAL SHEETS
F.A.I. 74	(72-7) R-3	PEORIA	545	1360
FED. ROAD DIST. NO. 7	ILLINOIS	FED. AID PROJECT		

CONTRACT NO. 68200

GENERAL NOTES

Reinforcement bars shall conform to the requirements of AASHTO M 31M or M 322M Grade 420.

All dimensions are in millimeters (mm) except as noted.

Layout of Rip-Rap may be varied in the field to suit ground conditions as directed by the Engineer.

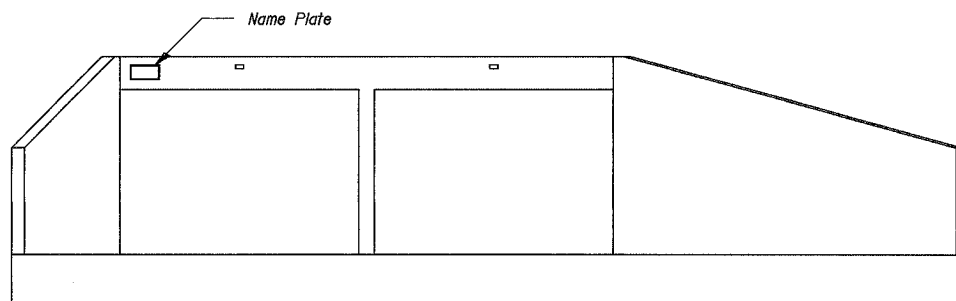
All construction joints shall be bonded.

WATERWAY INFORMATION

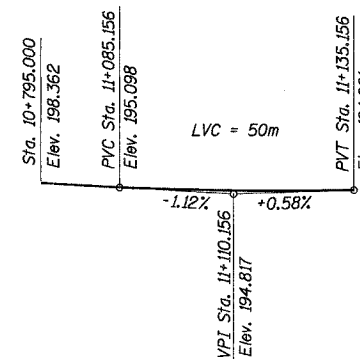
Drainage Area = 3,800 km² Low Grade Elev. 192.79 m @ Sta. 11+072.082

Flood Yr.	Freq.	Q cms	Opening Sq. m		Nat. H.W.E. m		Head - m		Headwater Elev. - m	
			Exist.	Prop.	Exist.	Prop.	Exist.	Prop.	Exist.	Prop.
Design	50	63.0	-	22	191.87	-	0.00	-	-	191.87
Base	100	70.0	-	22	191.93	-	0.09	-	-	192.02
Overtopping	-	-	-	-	-	-	-	-	-	-
Max. Calc.	500	81.0	-	22	192.05	-	0.85	-	-	192.90

Nat. H.W.E. Measured at Upstream Face of Culvert



NAME PLATE LOCATION
Downstream End Only



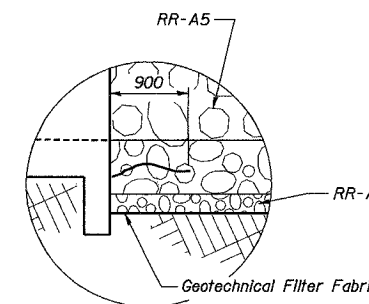
PROFILE GRADE RAMP B-3
(Along R Ramp B-3)

TOTAL BILL OF MATERIAL

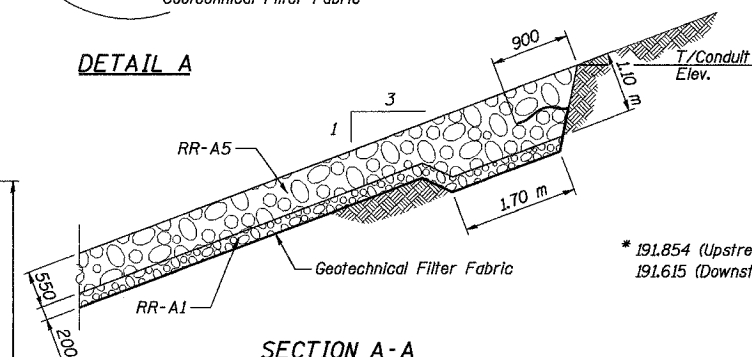
ITEM	UNIT	TOTAL
Name Plates	Each	1
Stone Riprap, Class A5	m ²	474
Filter Fabric for Use with Riprap	m ²	474
Remove Existing Culverts	m	24.1
Reinforcement Bars	kg	47,670
Concrete Box Culverts	m ³	508.6

CURVE DATA

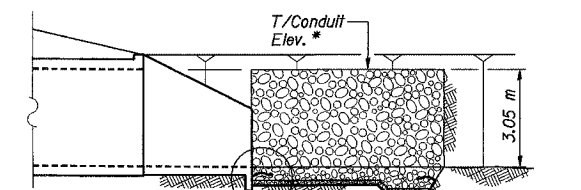
CURVE 233
 PI Sta. 11+116.739
 $\Delta = 47^\circ 11' 04''$ (RT)
 T = 78.611 m
 R = 180.000 m
 L = 148.234 m
 E = 16.417 m
 PC Sta. 11+038.128
 PT Sta. 11+186.362
 SE = 4.0%
 Transition In 11+023 to 11+045
 Transition Out 11+181 to 11+195



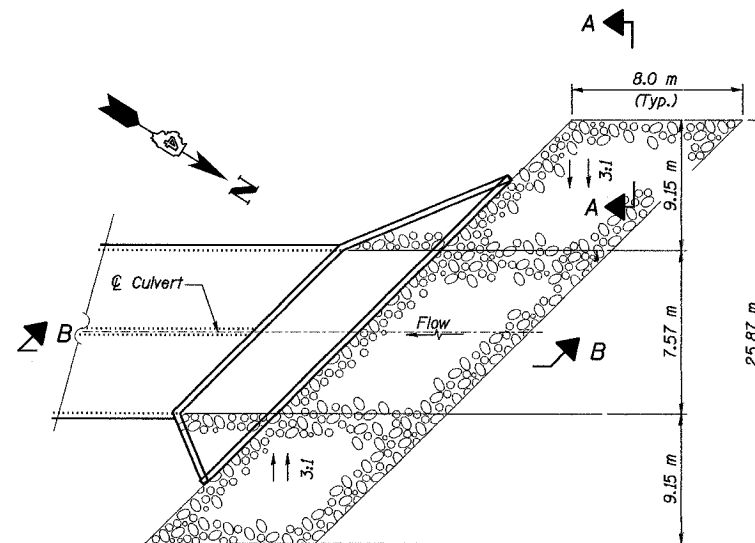
DETAIL A



SECTION A-A
Flank Detail



SECTION B-B



RIP-RAP PLAN

Upstream end shown (Downstream end similar)

REVISION	DATE	DESCRIPTION	
STATE OF ILLINOIS DEPARTMENT OF TRANSPORTATION GENERAL NOTES, TOTAL BILL OF MATERIAL & DETAILS RAMP B-3 OVER DRY RUN CREEK F.A.I. ROUTE 74 SEC. (72-7)R-3 PEORIA COUNTY STA. 11+072.082 (RAMP B-3) STRUCTURE NUMBER 072-2030 PARSONS TRANSPORTATION GROUP CHICAGO, ILLINOIS			
DRAWING NO.	SCALE	DATE	SHEET NO.
2	N.T.S.	8/31/04	2

Date: 11/22/2004

File name: P:\643996\Structural\072-2030-culvert\sheet\Tracings\GPO002-1A0722030.dgn

Designed by:	WEE
Checked by:	RW
Drafted by:	RKS
Checked by:	RW