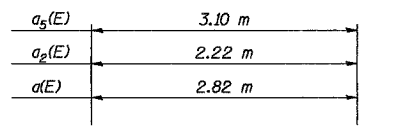


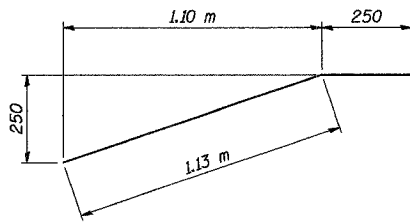
ROUTE NO.	SECT.	COUNTY	SHEET NO.	TOTAL SHEETS
F.A.I. 74	(72-7) R-3	PEORIA	617	1360
FED. ROAD DIST. NO. 7		ILLINOIS	FED. AID PROJECT	

**BILL OF MATERIAL**

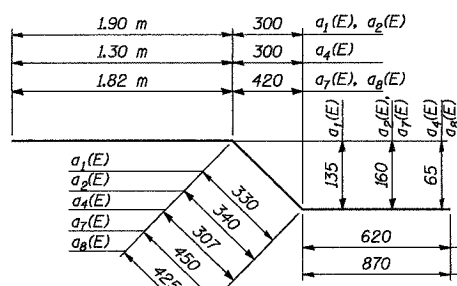
Bar	No.	Size	Length (m)	Shape
a(E)	460	#25	3.24	
a <sub>1</sub> (E)	394	#20	2.85	
a <sub>2</sub> (E)	66	#20	2.86	
a <sub>3</sub> (E)	31	#25	2.64	
a <sub>4</sub> (E)	31	#20	2.23	
a <sub>5</sub> (E)	20	#15	1.70	
a <sub>6</sub> (E)	2	#25	3.52	
a <sub>7</sub> (E)	1	#20	3.14	
a <sub>8</sub> (E)	1	#20	3.12	
a <sub>9</sub> (E)	2	#15	2.40	
a <sub>10</sub> (E)	228	#25	0.60	
b(E)	345	#15	9.02	
b <sub>1</sub> (E)	12	#15	9.19	
b <sub>2</sub> (E)	7	#15	8.67	
d(E)	487	#15	0.97	
d <sub>1</sub> (E)	446	#15	1.48	
d <sub>2</sub> (E)	6	#15	1.31	
d <sub>3</sub> (E)	6	#15	1.60	
d <sub>4</sub> (E)	120	#15	0.64	
e(E)	84	#15	8.90	
e <sub>1</sub> (E)	6	#15	8.67	
e <sub>2</sub> (E)	28	#25	8.90	
e <sub>3</sub> (E)	2	#25	8.67	
e <sub>4</sub> (E)	2	#15	1.38	
Reinforcement Bars, Epoxy Coated			kg	19470
Concrete Structures			m <sup>3</sup>	126.6
Concrete Superstructure			m <sup>3</sup>	33.0



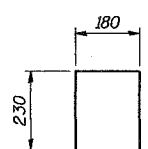
**BARS a<sub>1</sub>(E), a<sub>2</sub>(E), a<sub>5</sub>(E)**



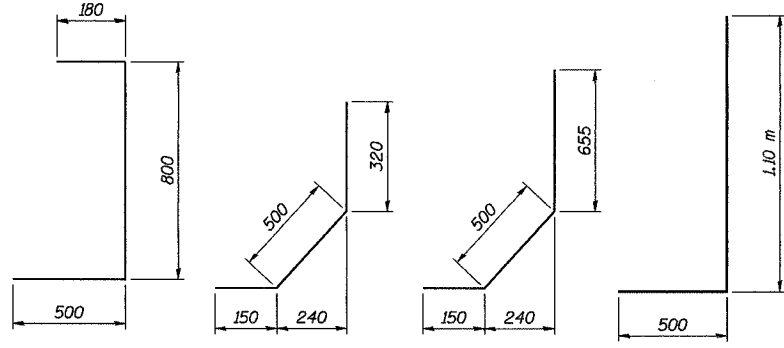
**BAR e<sub>4</sub>(E)**



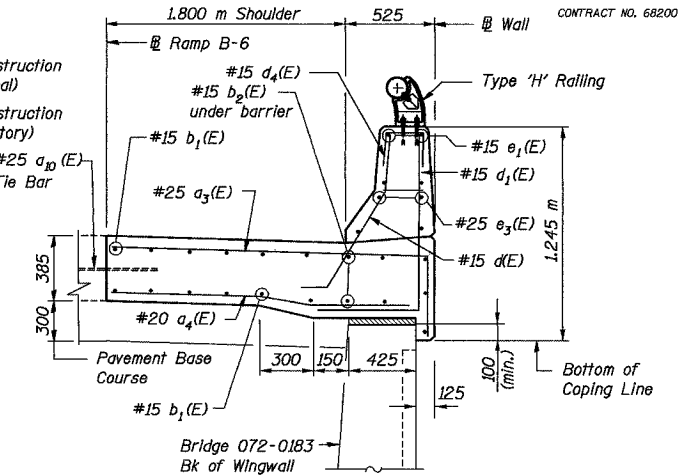
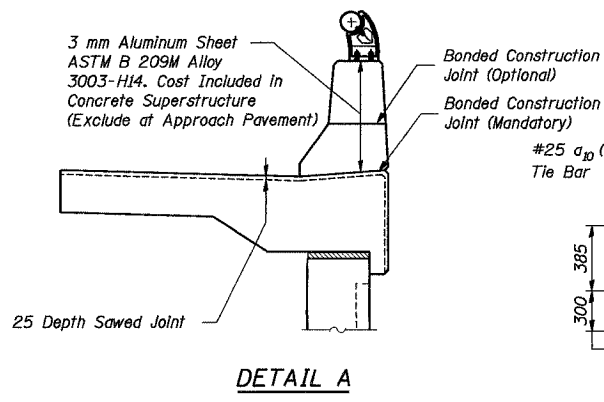
**BARS a<sub>1</sub>(E), a<sub>2</sub>(E), a<sub>4</sub>(E), a<sub>7</sub>(E), a<sub>8</sub>(E)**



**BAR d<sub>4</sub>(E)**

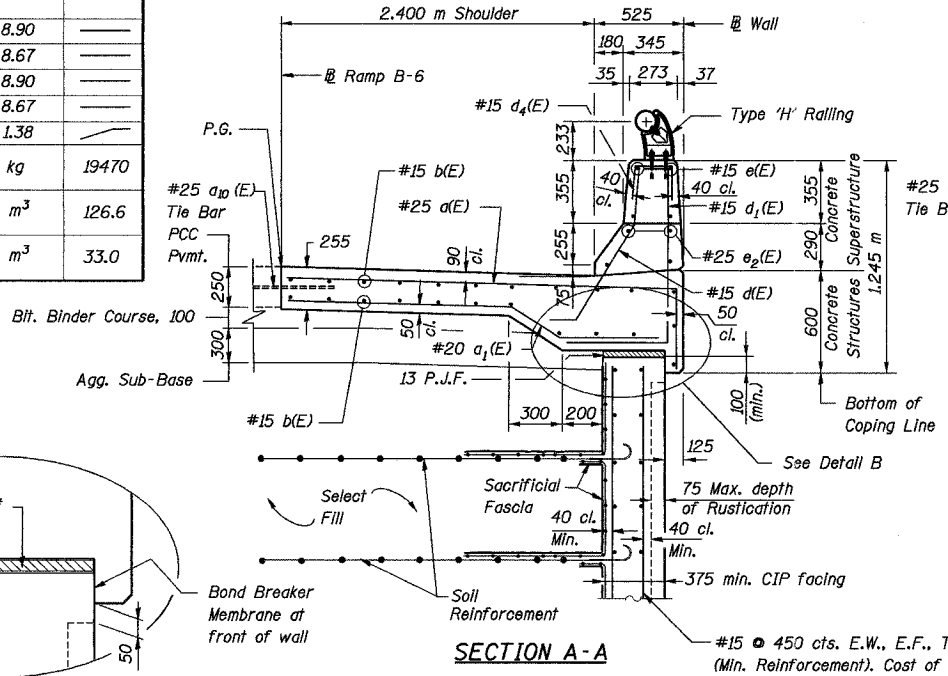


**BAR d<sub>1</sub>(E) BAR d(E) BAR d<sub>2</sub>(E) BAR d<sub>3</sub>(E)**



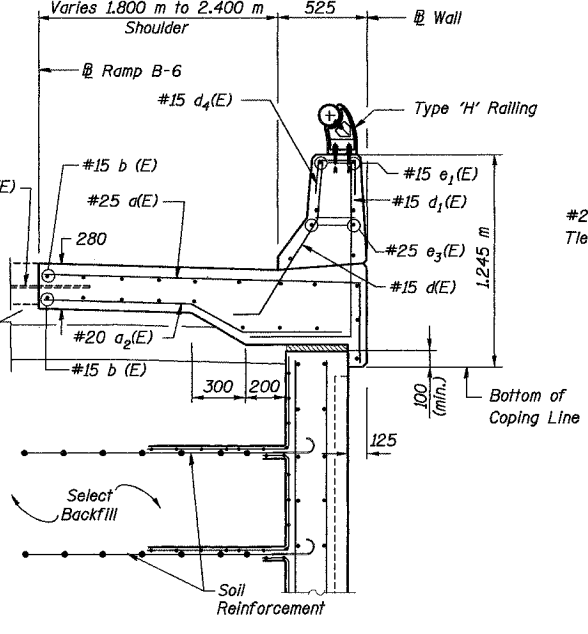
**SECTION D-D**

Details not shown similar to Section A-A



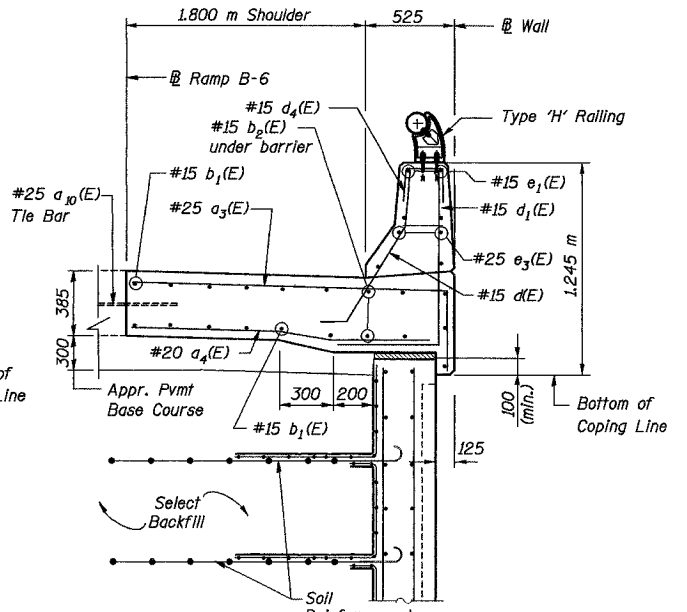
**SECTION A-A**

\* Contractor shall ensure that the top of P.J.F. is clear of select fill or other debris before placing anchorage slab concrete.



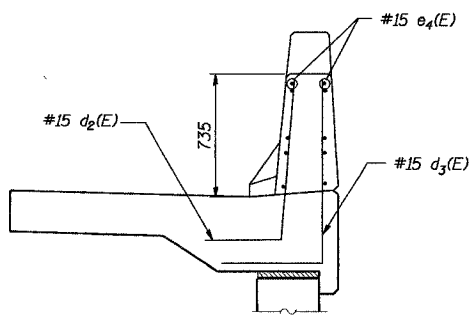
**SECTION B-B**

Details not shown similar to Section A-A

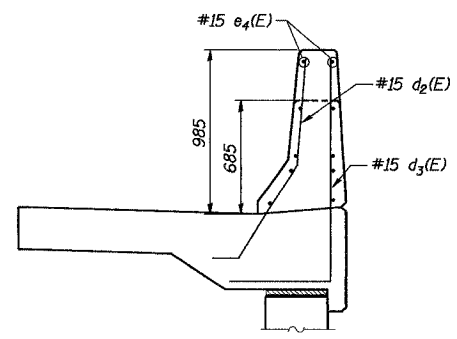


**SECTION C-C**

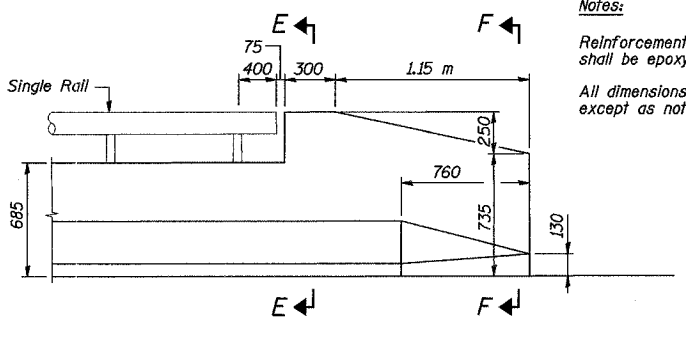
Details not shown similar to Section A-A



**SECTION F-F**



**SECTION E-E**



**VIEW I-I - PARAPET END SECTION FOR TERMINAL BARRIER TYPE 6**  
 (Inside View)

Notes:  
 Reinforcement bars designated (E) shall be epoxy coated.  
 All dimensions are in millimeters (mm) except as noted.

REVISION	DATE	DESCRIPTION	
<b>STATE OF ILLINOIS</b> <b>DEPARTMENT OF TRANSPORTATION</b> <b>ANCHORAGE SLAB AND PARAPET REINFORCING DETAILS II</b> WALL NO. 10 - RAMP B-4 F.A.I. ROUTE 74 SECTION (72-7)R-3 PEORIA COUNTY STA. 10+149.813 TO STA 10+281.377 (RAMP B-4) STRUCTURE NUMBER 072-8559 <b>PARSONS TRANSPORTATION GROUP</b> <b>CHICAGO, ILLINOIS</b>			
DRAWING NO.	SCALE	DATE	SHEET NO.
3	N.T.S.	6/25/04	3

Date: 11/22/2004  
 Time: 01:49:09 PM  
 File: P:\643996\structure\072-8559-Wall\10-sheet\Tracings\SD0002-1A0728559.dgn

Designed by: WEE  
 Checked by: AK  
 Drafted by: WEE  
 Checked by: AK