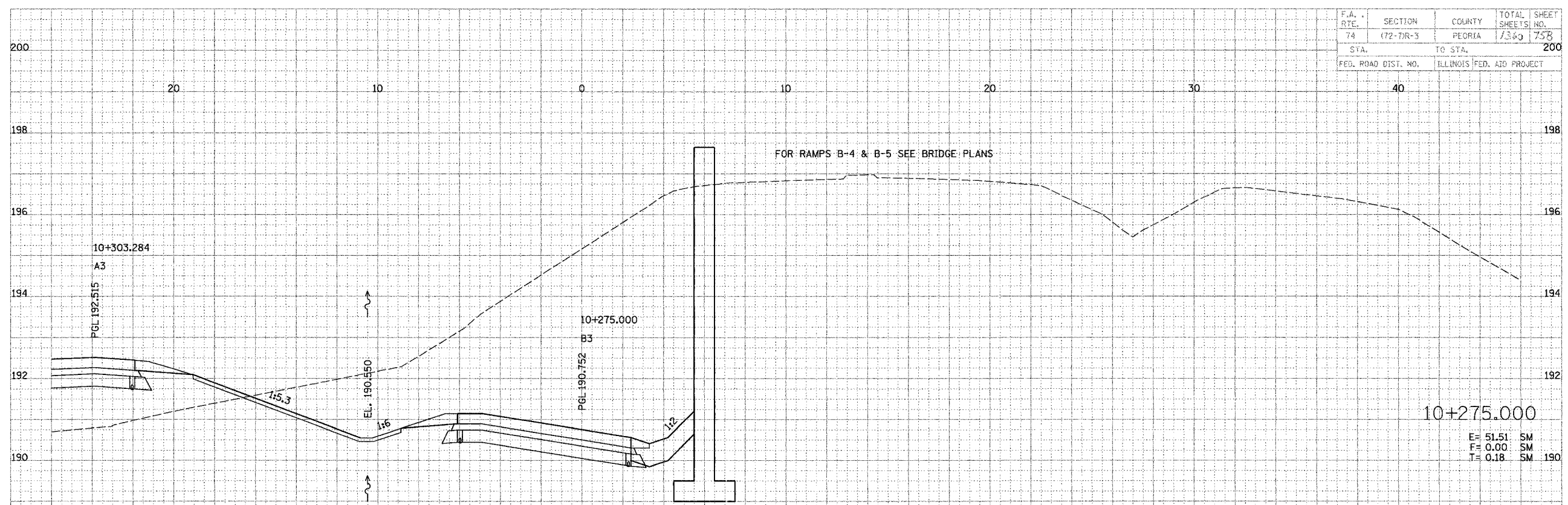


F.A. RTE.	SECTION	COUNTY	TOTAL SHEETS	SHEET NO.
74	(72-7)R-3	PEORIA	1340	758
STA.	TO STA.		200	
FED. ROAD DIST. NO.	ILLINOIS FED. AID PROJECT			

DATE	BY
DATE	BY
DATE	BY

PARSONS
TRANSPORTATION GROUP
Engineers and Planners

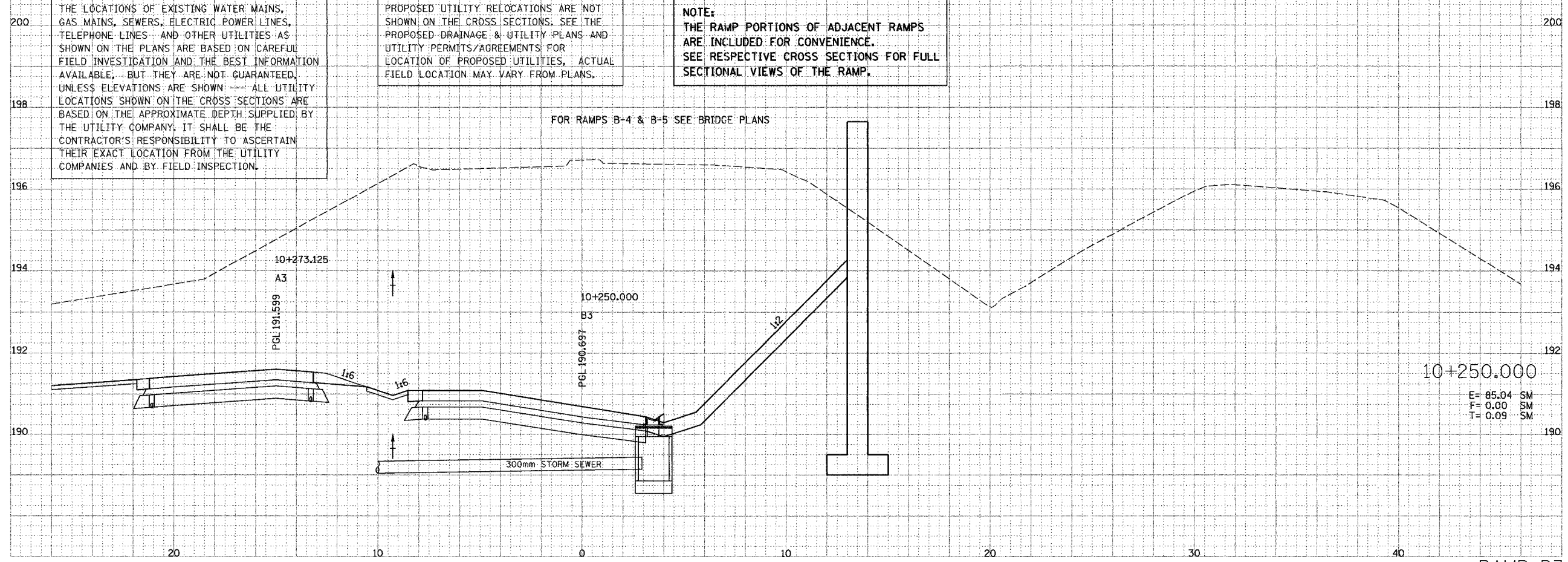
DATE	BY
DATE	BY
DATE	BY



THE LOCATIONS OF EXISTING WATER MAINS, GAS MAINS, SEWERS, ELECTRIC POWER LINES, TELEPHONE LINES AND OTHER UTILITIES AS SHOWN ON THE PLANS ARE BASED ON CAREFUL FIELD INVESTIGATION AND THE BEST INFORMATION AVAILABLE, BUT THEY ARE NOT GUARANTEED, UNLESS ELEVATIONS ARE SHOWN. ALL UTILITY LOCATIONS SHOWN ON THE CROSS SECTIONS ARE BASED ON THE APPROXIMATE DEPTH SUPPLIED BY THE UTILITY COMPANY. IT SHALL BE THE CONTRACTOR'S RESPONSIBILITY TO ASCERTAIN THEIR EXACT LOCATION FROM THE UTILITY COMPANIES AND BY FIELD INSPECTION.

PROPOSED UTILITY RELOCATIONS ARE NOT SHOWN ON THE CROSS SECTIONS. SEE THE PROPOSED DRAINAGE & UTILITY PLANS AND UTILITY PERMITS/AGREEMENTS FOR LOCATION OF PROPOSED UTILITIES. ACTUAL FIELD LOCATION MAY VARY FROM PLANS.

NOTE:
THE RAMP PORTIONS OF ADJACENT RAMPS ARE INCLUDED FOR CONVENIENCE. SEE RESPECTIVE CROSS SECTIONS FOR FULL SECTIONAL VIEWS OF THE RAMP.



RAMP-B3