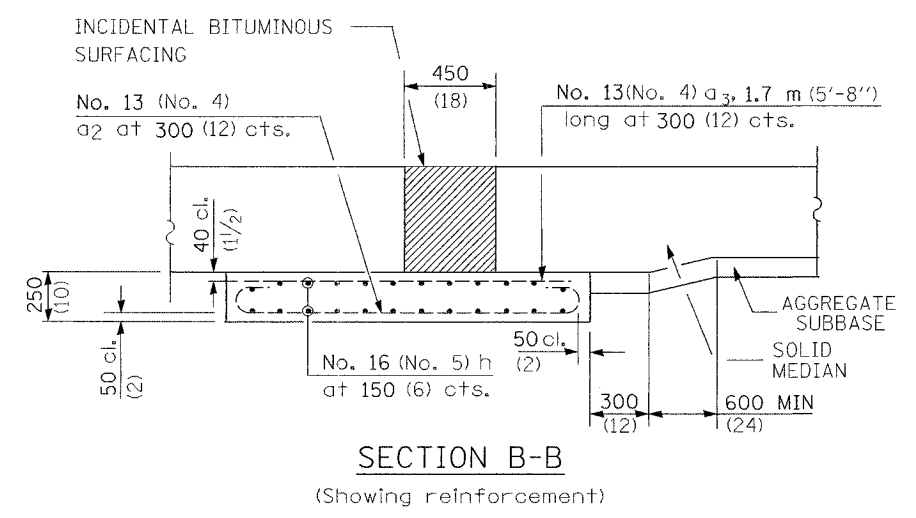
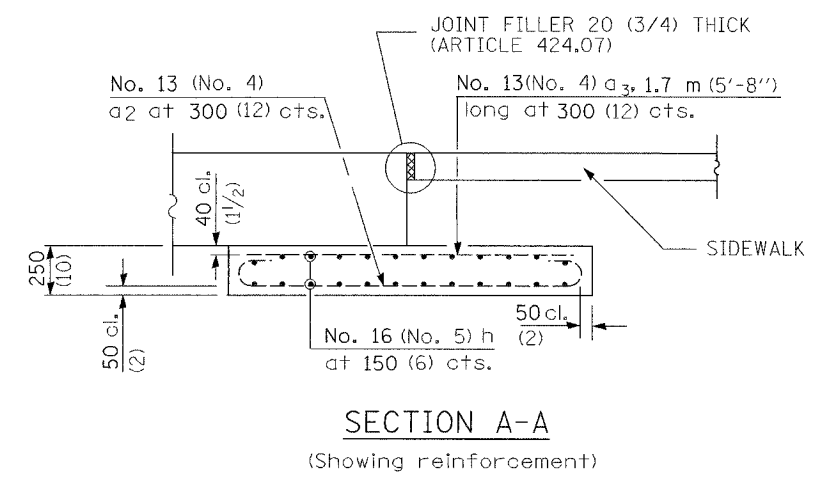
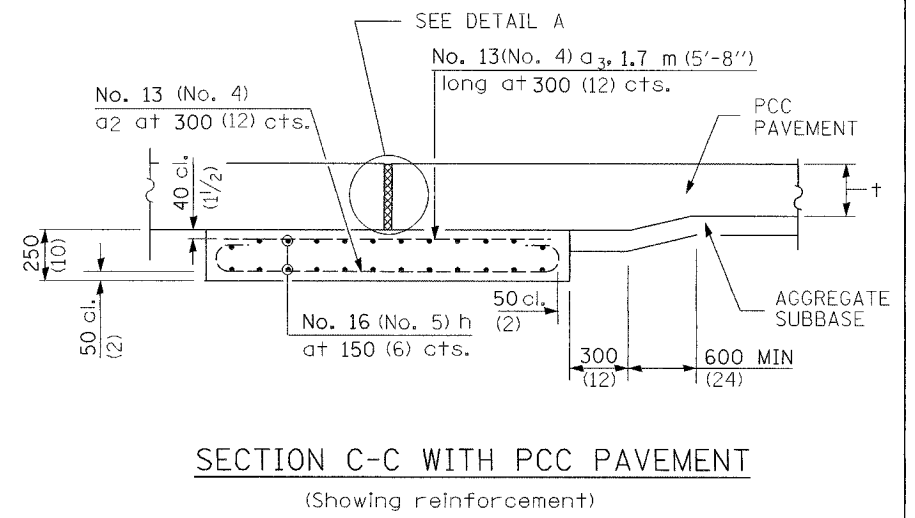
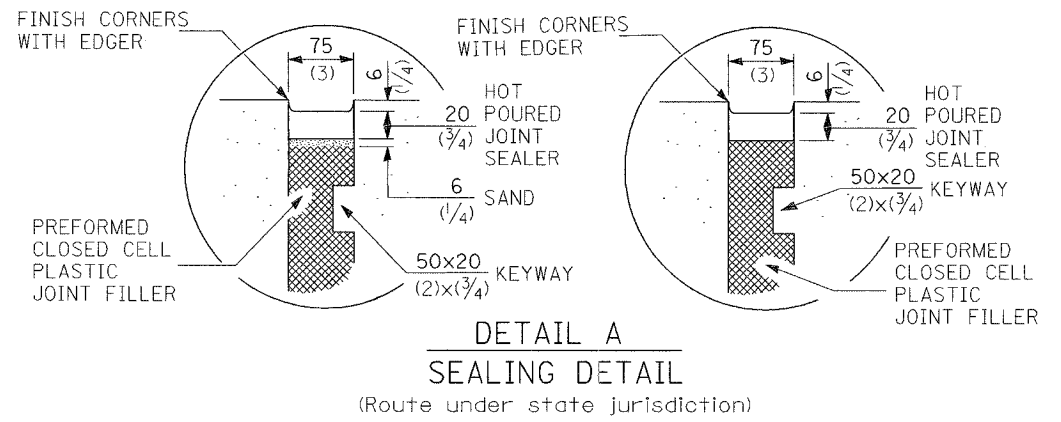
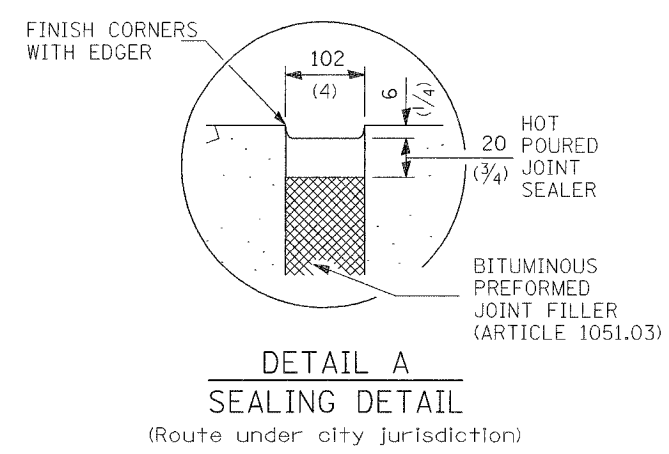
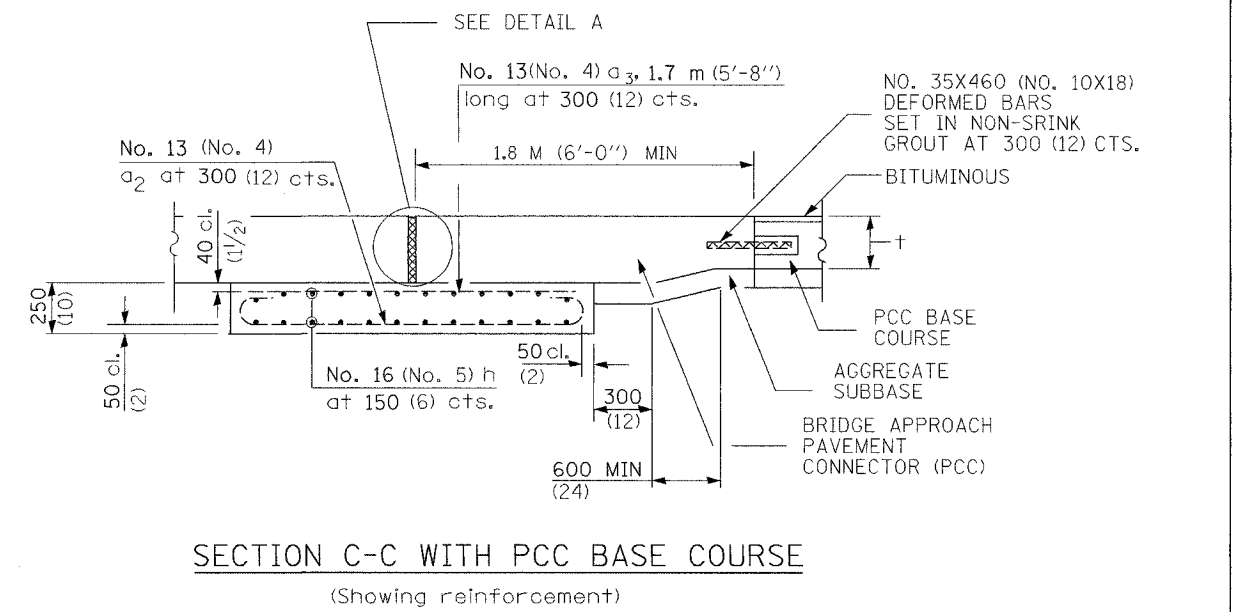
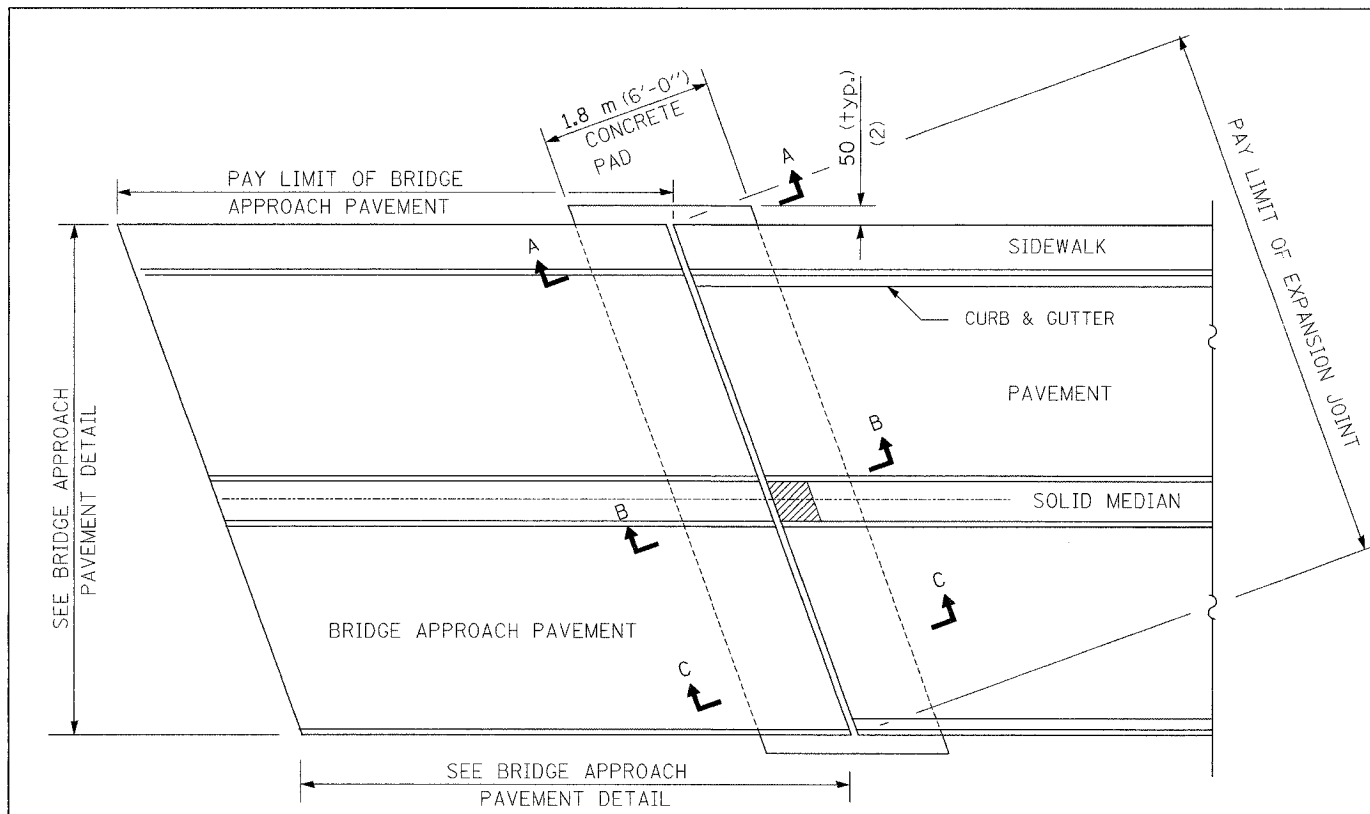


F.A. RTE.	SECTION	COUNTY	TOTAL SHEETS	SHEET NO.
			1360	855
STA.	TO STA.			
FED. ROAD DIST. NO.	ILLINOIS FED. AID PROJECT			



GENERAL NOTES

THICKNESS-"t"=THICKNESS OF PAVEMENT

All dimensions are in millimeters (inches) unless otherwise shown.

REVISIONS	
NAME	DATE
PRE	11/4/02
DETAIL A	12/31/02
H.S. 2004	9/26/03

ILLINOIS DEPARTMENT OF TRANSPORTATION
I74 PROJECT STANDARD 420401-I74
BRIDGE APPROACH PAVEMENT (SPECIAL) EXPANSION JOINT

DATE 10/18/02

DRAWN BY _____
CHECKED BY _____