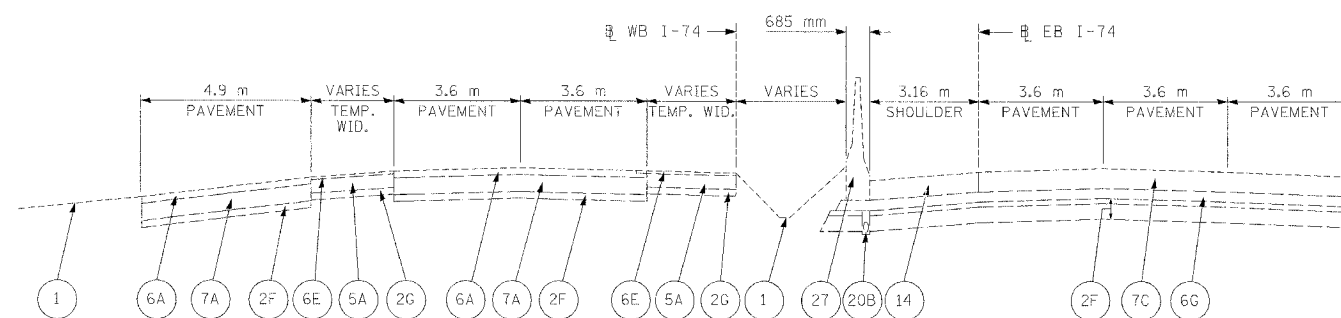
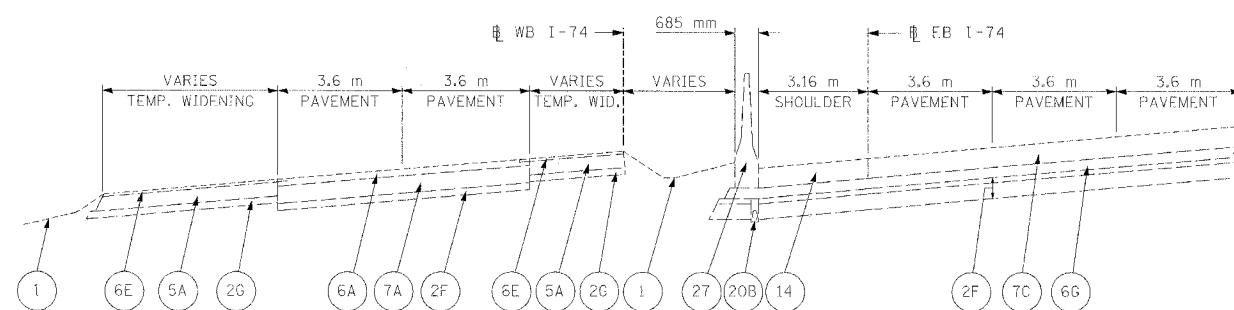


F.A.I. RTE.	SECTION	COUNTY	TOTAL SHEETS	SHEET NO.
74	(72-TJR-3)	PEORIA	1360	888
STA. 145+765.561		TO STA. 146+410.000		
FED. ROAD DIST. NO.	ILLINOIS	FED. AID PROJECT		



EXISTING MAINLINE TYPICAL SECTION #4

WB STA. 145+765.561 TO STA. 145+830.869



EXISTING MAINLINE TYPICAL SECTION #5

WB STA. 145+830.869 TO STA. 146+410.000

LEGEND	
1	EXISTING GROUND LINE
2F	EX SUB-BASE GRANULAR MATERIAL
2G	EX AGGREGATE BASE COURSE
5A	EX BIT. BASE COURSE 200 mm
6A	EX BITUMINOUS RESURFACING 75 mm
6E	EX BIT. CONCRETE SURFACE COURSE 38 mm
6G	EX BITUMINOUS CONCRETE BINDER COURSE SUPERPAVE, IL-19.0L (LOW ESAL), 150 mm
7A	EX PCC PAVEMENT 250 mm
7C	EX CONTINUOUSLY REINFORCED PORTLAND CEMENT CONCRETE PAVEMENT 290 mm
14	EX PCC SHOULDERS
20B	EX PIPE UNDERDRAINS 150 mm
27	EX CONCRETE BARRIER

REVISIONS		ILLINOIS DEPARTMENT OF TRANSPORTATION
NAME	DATE	
		EXISTING TYPICAL SECTIONS FAI ROUTE 74 (I-74) WB STA. 145+765.561 TO 146+410.000



DATE 11/23/04
DRAWN BY MCM
CHECKED BY RDY

I:\WORK\2004\11\23\7404-888-001-001.dwg