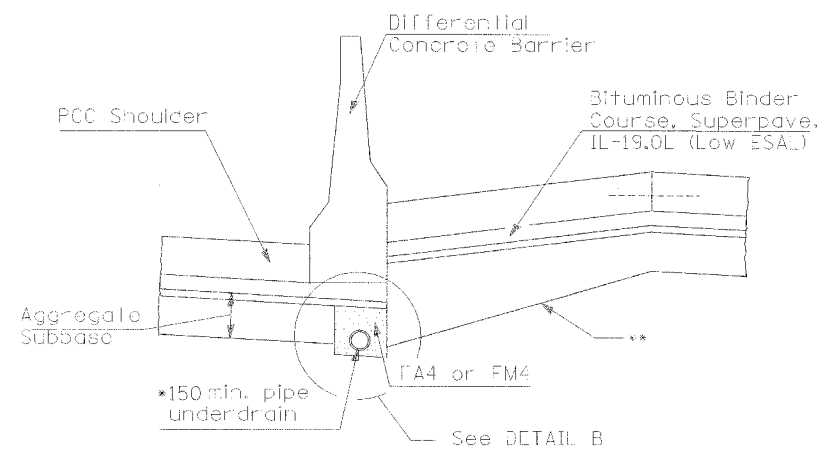
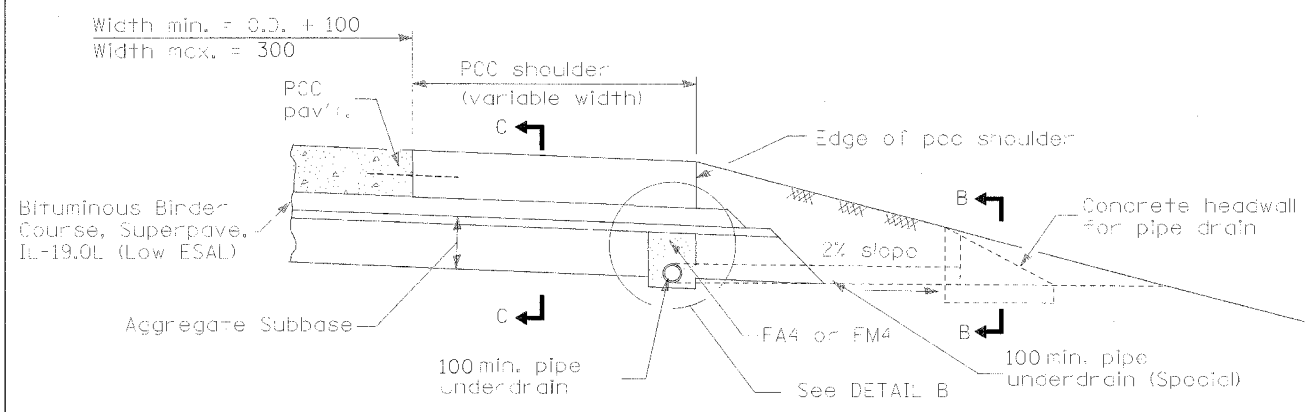


F.A. RTE.	SECTION	COUNTY	TOTAL SHEETS	SHEET NO.
			1360	1067
STA.		TO STA.		
FED. ROAD DIST. NO.	ILLINOIS FED. AID PROJECT			

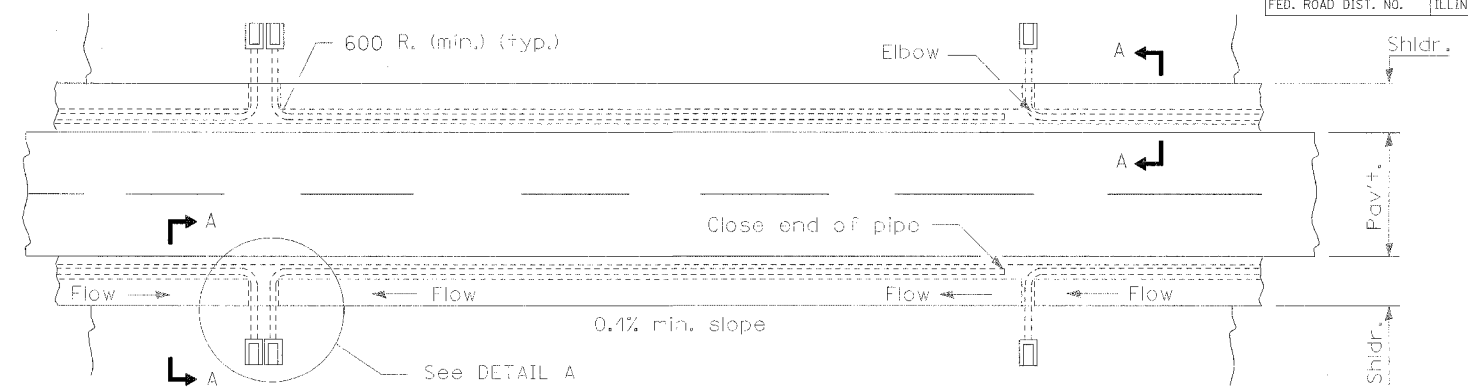


- * Pipe Underdrain shall be placed in the first stage constructed
- ** Transition bottom of aggregate subbase from edge of pavement to match elevation of aggregate subbase on lower side of barrier

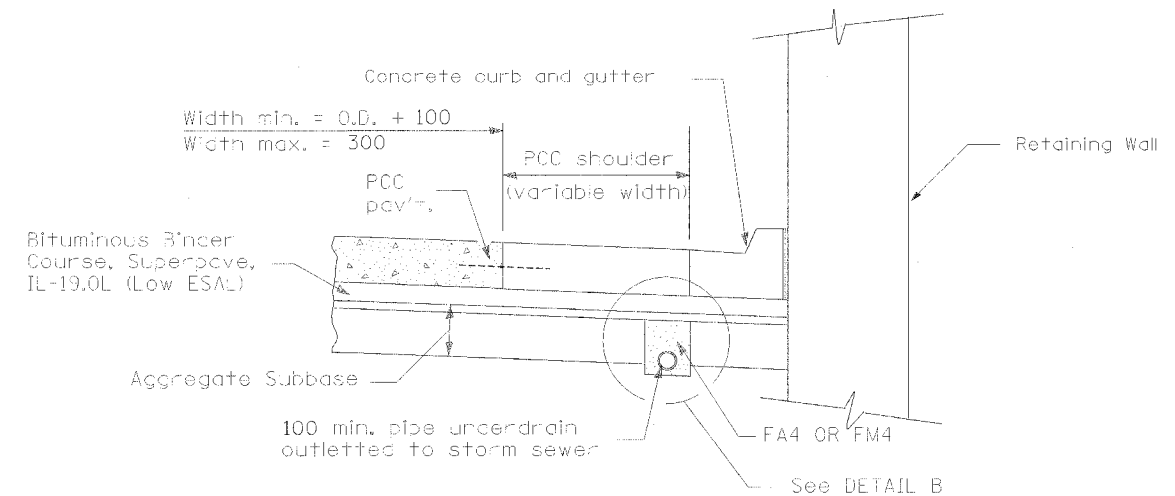
AT LOCATION WITH DIFFERENTIAL BARRIER



SECTION A-A

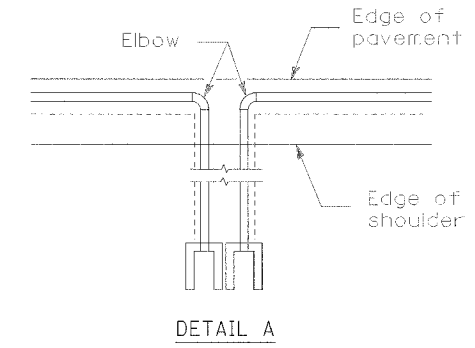


PLAN

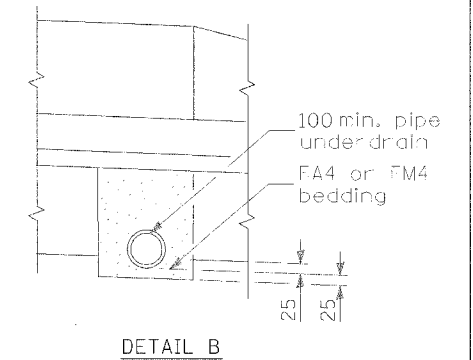


SECTION A-A

AT LOCATION WITH RETAINING WALLS

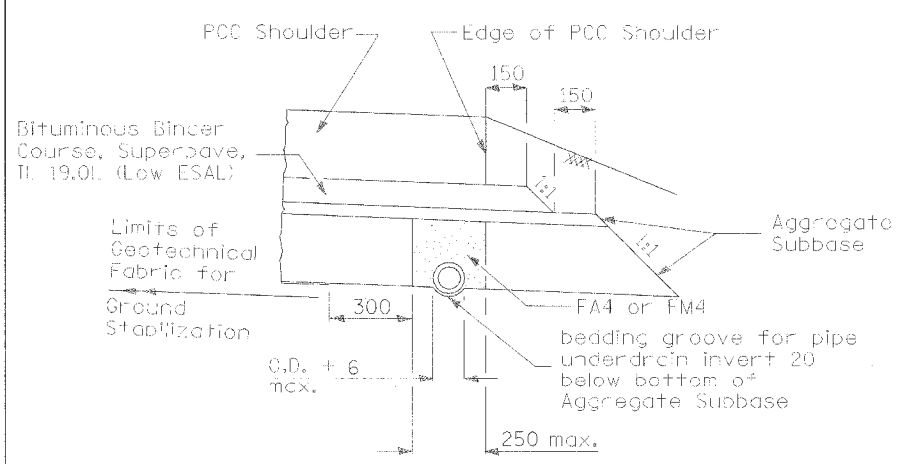


DETAIL A

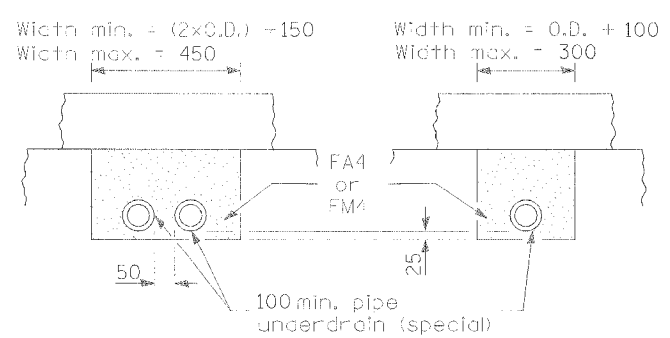


DETAIL B

All dimensions are in millimeters unless otherwise shown.



TRENCH FOR CORRUGATED POLYETHYLENE TUBING ALTERNATE



SECTION C-C (Sag locations)

SECTION C-C

REVISIONS	
NAME	DATE
INC. COMMENTS	3/7/02
REM. ENGL.	3/22/02
FA4 OR FM4	4/17/02
DETAIL B	12/10/03

ILLINOIS DEPARTMENT OF TRANSPORTATION
 I-74 PROJECT STANDARD 601001-I74
 SUB-SURFACE DRAINS
 DRAWN BY
 CHECKED BY
 DATE 09/21/01