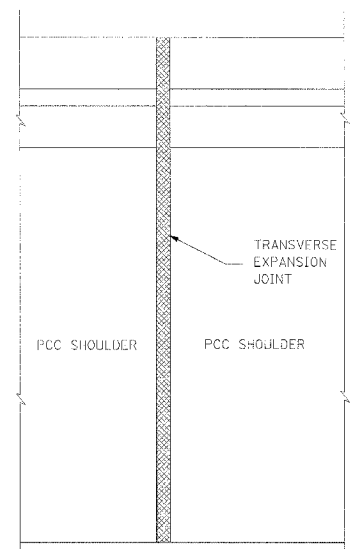
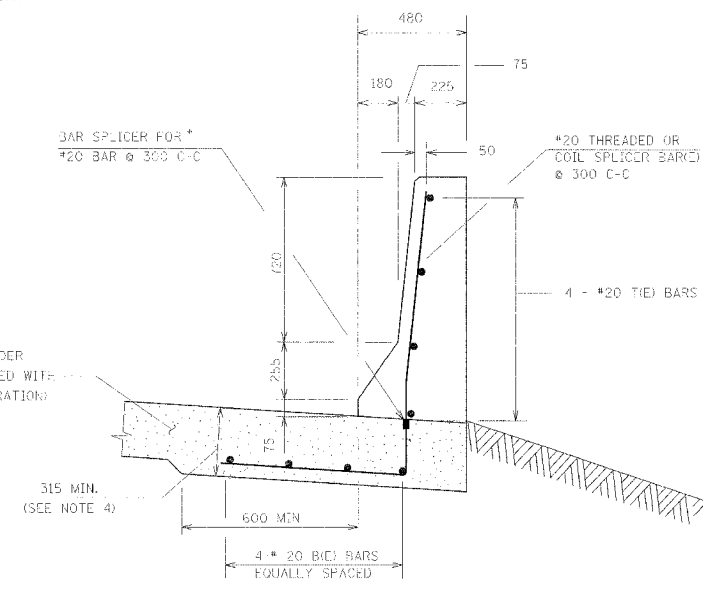
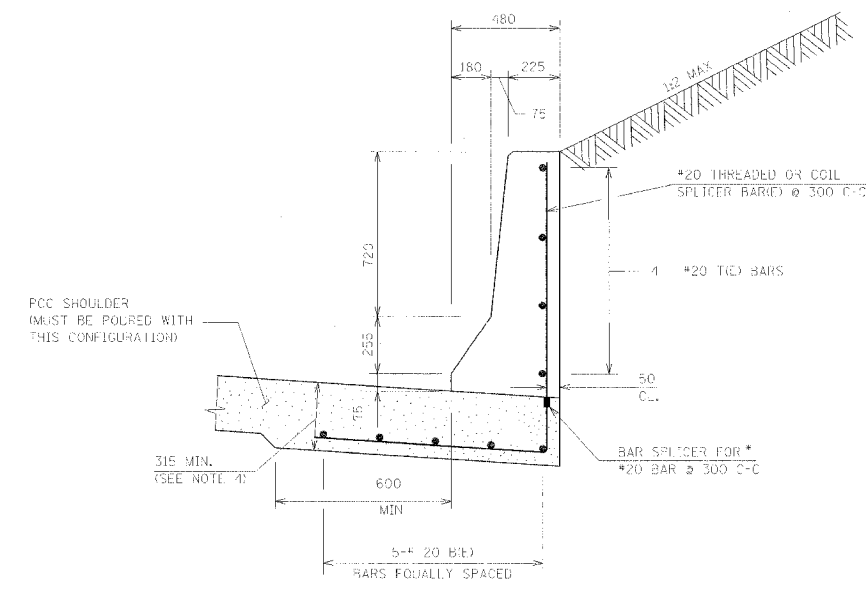
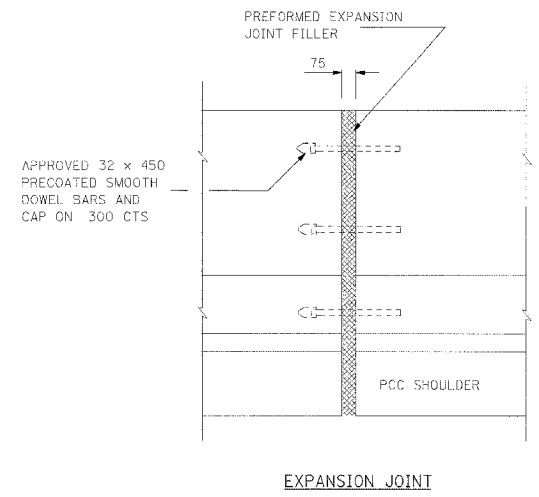


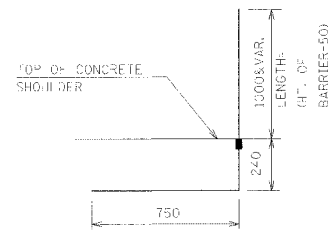
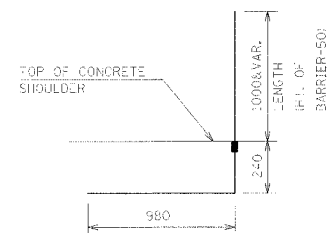
F.A. RTE.	SECTION	COUNTY	TOTAL SHEETS	SHEET NO.
			1360	1070
STA.		TO STA.		
FED. ROAD DIST. NO.		ILLINOIS FED. AID PROJECT		

* THE BAR SPLICER SHALL BE CAPABLE OF DEVELOPING A MINIMUM OF 125% OF THE YIELD STRENGTH OF A #20 BAR



CONCRETE BARRIER, SINGLE FACE (MODIFIED)
CUT SECTION

CONCRETE BARRIER, SINGLE FACE (MODIFIED)
FILL SECTION



CUT SECTION

REINFORCING BARS 6.1 m SECTION				
BAR	NO.	SIZE	LENGTH	SHAPE
BIE	5	#20	6.00 m	—
TIE	4	#20	6.00 m	—
REINFORCING BARS (EPOXY COATED)			Kg	128
BAR SPLICERS			EACH	21

FILL SECTION

REINFORCING BARS 6.1 m SECTION				
BAR	NO.	SIZE	LENGTH	SHAPE
BIE	4	#20	6.00 m	—
TIE	4	#20	6.00 m	—
REINFORCING BARS (EPOXY COATED)			Kg	114
BAR SPLICERS			EACH	21

** LONGITUDINAL BARS SHOULD NOT EXTEND THROUGH JOINTS.

** LONGITUDINAL BARS SHOULD NOT EXTEND THROUGH JOINTS.

NOTES:

- FOR ADDITIONAL SHOULDER DETAILS SEE I-74 PROJECT STDS 483001-174 AND 601001-174
- A 25 RADIUS CAN BE SUBSTITUTED FOR THE 13 CHAMFER AT THE TOP OF THE BARRIER WALL.
- THE FURNISHING AND PLACING OF REINFORCING BARS AND BAR SPLICERS AND THE THICKENED PCC SHOULDER WHEN REQUIRED SHALL BE INCLUDED IN THE COST OF THE CONCRETE BARRIER OF THE TYPE SPECIFIED.
- ALL REINFORCING BARS, BAR SPLICERS, TIE BARS AND DOWEL BARS SHALL BE SEATED IN THE FINAL POSITION PRIOR TO THE CONCRETE OPERATIONS. BARS CANNOT BE MUCKED INTO PLACE.
- TRANSVERSE EXPANSION JOINT THRU THE PAVEMENT AND THE SHOULDER SHALL BE EXTENDED THRU THE CONCRETE BARRIER.

ALL DIMENSIONS ARE IN MILLIMETER UNLESS OTHERWISE SHOWN

REVISIONS	
NAME	DATE
EXPANSION JOINT	10/7/03

ILLINOIS DEPARTMENT OF TRANSPORTATION
I-74 PROJECT STANDARD 637002-174
CONCRETE BARRIER,
SINGLE FACE (MODIFIED)
DRAWN BY
CHECKED BY
DATE 08/15/02