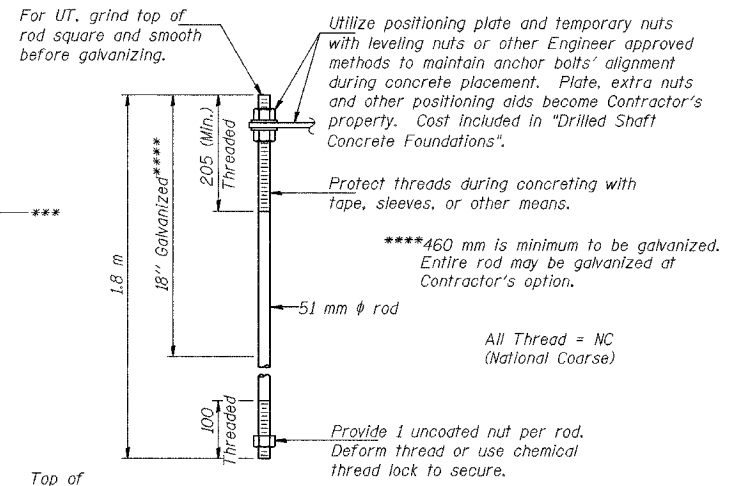
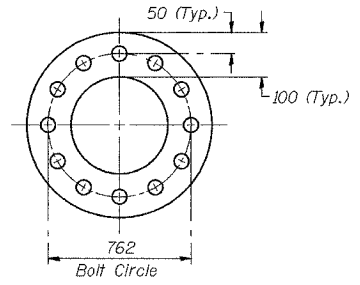
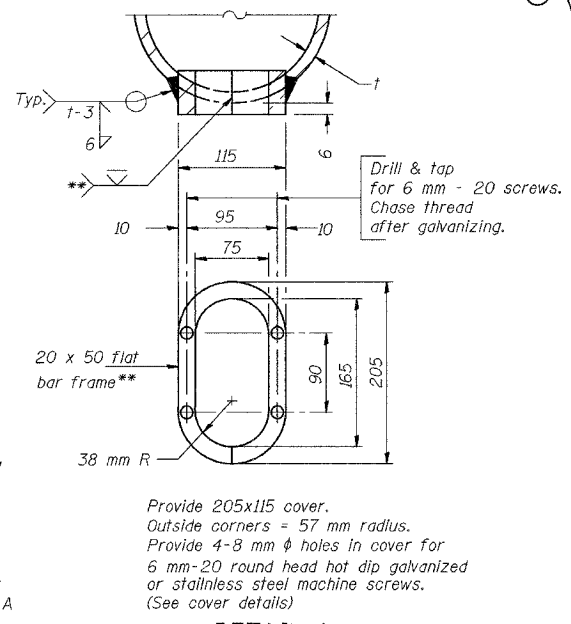
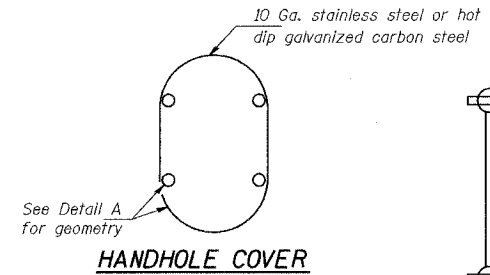
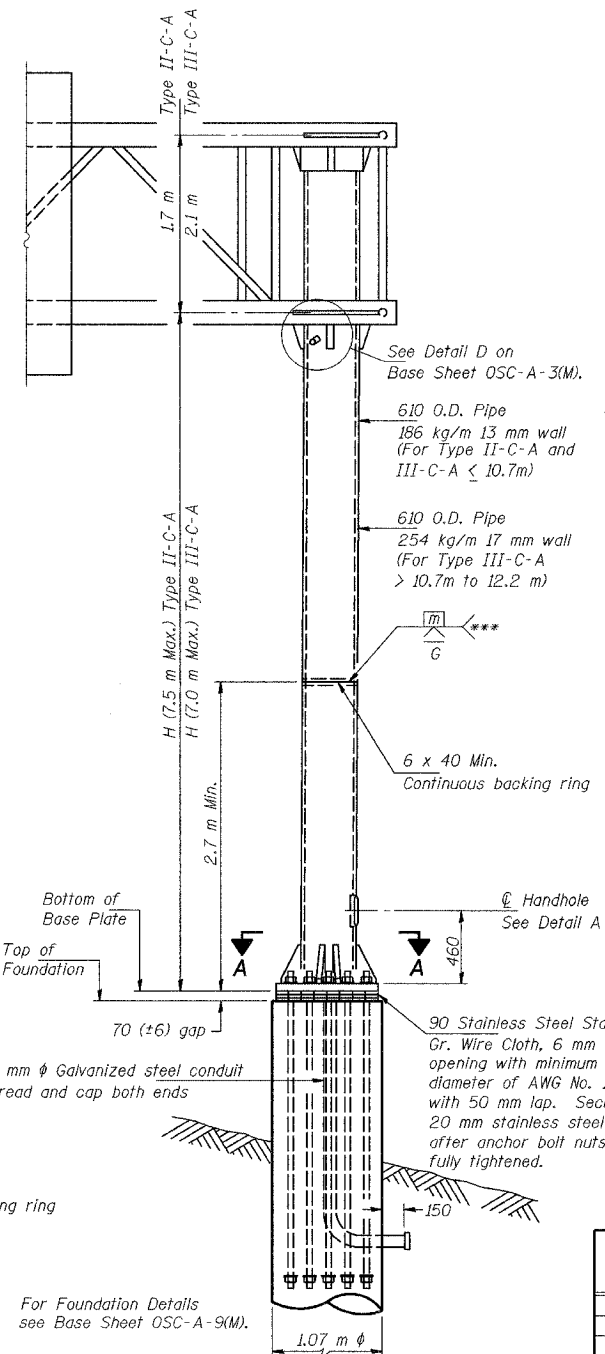
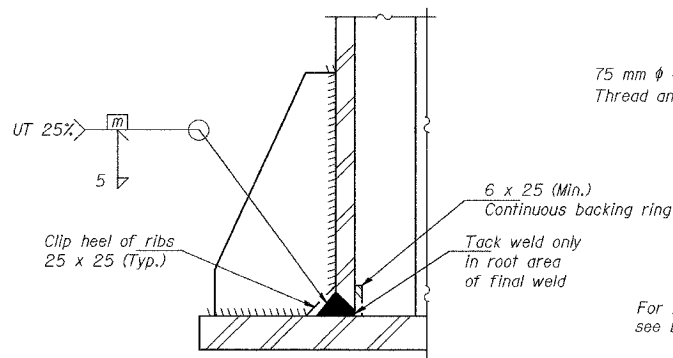
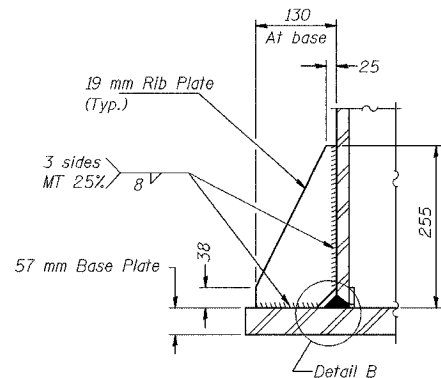
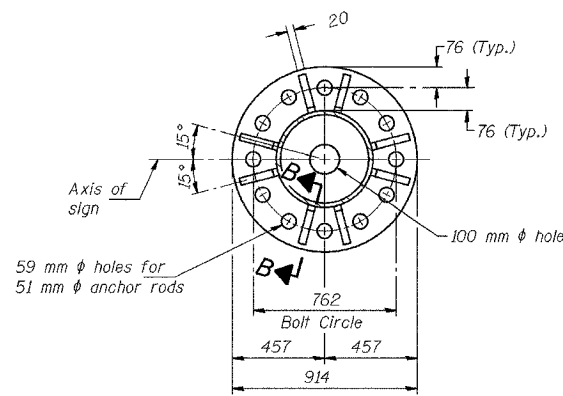


STATE OF ILLINOIS  
DEPARTMENT OF TRANSPORTATION

ROUTE No.	SECTION	COUNTY	TOTAL SHEETS	SHEET NO.
FAI74	*	PEORIA	1360	1322
STA.		TO STA.		
ILLINOIS REGION		ILLINOIS PROJECT		
*(72-7)R-3		CONTRACT NO. 68200		



\*\*Bent bars may be butt welded top and bottom or bottom only. In lieu of fabricated handhole frame as shown, may cut from 50 mm plate (rolling direction vertical). All cut faces to be ground to ANSI Roughness of 12.7  $\mu$ m or less.

\*\*\*Butt welded joint in post is only allowed for post heights (H) over 6.10 m in length. If used, weld procedure must be preapproved by Engineer and joint shall receive 100% RT or UT (tension criteria) at Contractor's expense.

Structure Number	Station	H (m)
4C072U150R024.7	39+700	3.860
4C072U150R024.9	40+105	5.186

DESIGNED	RJW	2004
CHECKED	KJN	EXAMINED
DRAWN	RJW	PASSED
CHECKED	KJN	ENGINEER OF BRIDGES AND STRUCTURES

NUMBER	REVISION	DATE

OSC-A-5(M) 11/1/2002

SIGNING SHEET 74 OF 83

**CANTILEVER SIGN STRUCTURES  
TYPE II-C-A & III-C-A TRUSS SUPPORT POST  
ALUMINUM TRUSS & STEEL POST**

ILLINOIS DEPARTMENT OF TRANSPORTATION  
SIGNING PLAN

WAR MEMORIAL DR. STA. 39+700, 4C072U150R024.7  
WAR MEMORIAL DR. STA. 40+105, 4C072U150R024.9

PEORIA CO., IL. DATE: 11-04

M:\Proj\3573\Sign Structures\Contract 10\sp1003-7Acan-alm.dgn